

1-1/2" Stainless Steel Grab Bar

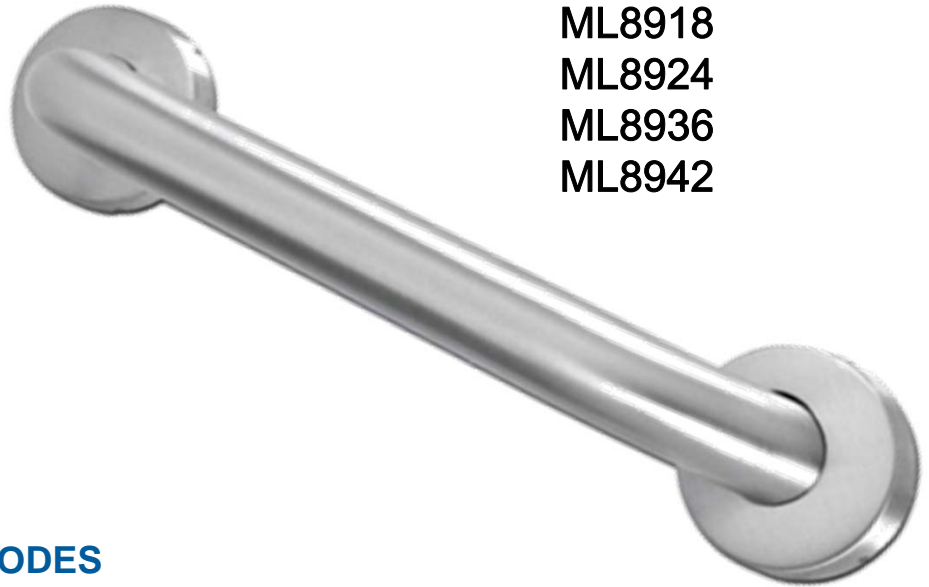
Product Specifications



MAINLINE

FEATURES

- 1-1/2" Stainless Steel Grab Bar with Concealed Mounting Flange
- 17 GA 304 (18-8) Stainless Steel Tube
- 12 GA 3-1/8" dia. 304 (18-8) Stainless Steel Flanges
- One Piece Snap Over Escutcheons
- #10 x 2" Phillips Head Self Tapping Stainless Steel Screws (qty 4)
- ADA Compliant



ML8918
ML8924
ML8936
ML8942

APPLICABLE STANDARDS/CODES

Designed to meet and exceed ADA requirements as published in CABO/ANSI A117.1-2003 and CFR 28 Part 36, 1 July 1994, section 4.26.3, that fabricated product shall be of adequate strength to support a load of 250 pounds (113.4 kg) and FAB-ADA-ABA Regulations of 23 July 2004 Section 609.:

PART No.	A (inches)	B (inches)	C (inches)
ML8918	18	14.875	21.125
ML8924	24	20.875	27.125
ML8936	36	32.875	39.125
ML8942	42	38.875	45.125



AVAILABLE FINISHES / FINIS OFFERTS / DISTINTOS ACABADOS:

- Satin Finish

Contact your sales representative for more information or visit our website at mainlinecollection.com

Revised 4-2017

1-1/2" Stainless Steel Grab Bar

Product Specifications



MAINLINE®

