

DESCRIPTION

- Three function, chrome plated metal construction
- Contains: hand-held shower, 30" slide bar, drop ell, vacuum breaker, 69" metal hose and mounting hardware
- **SLIDE BAR IS NOT TO BE USED AS A GRAB BAR**
- Supplied with vandal resistant screws

FLOW

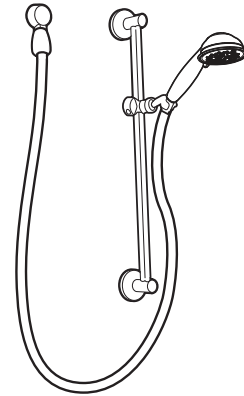
- 1.75 gpm (6.7 L/min) at 80 psi

STANDARDS

- Third party certified to ASME A112.18.1/CSA B125.1 and all applicable requirements referenced therein

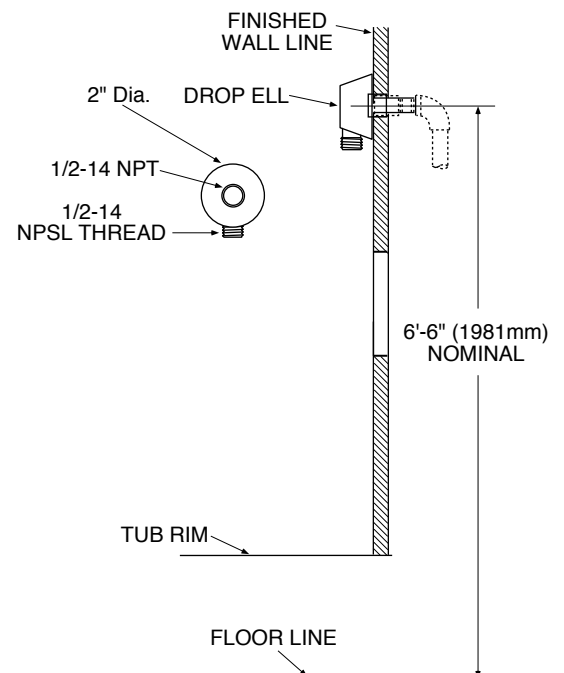
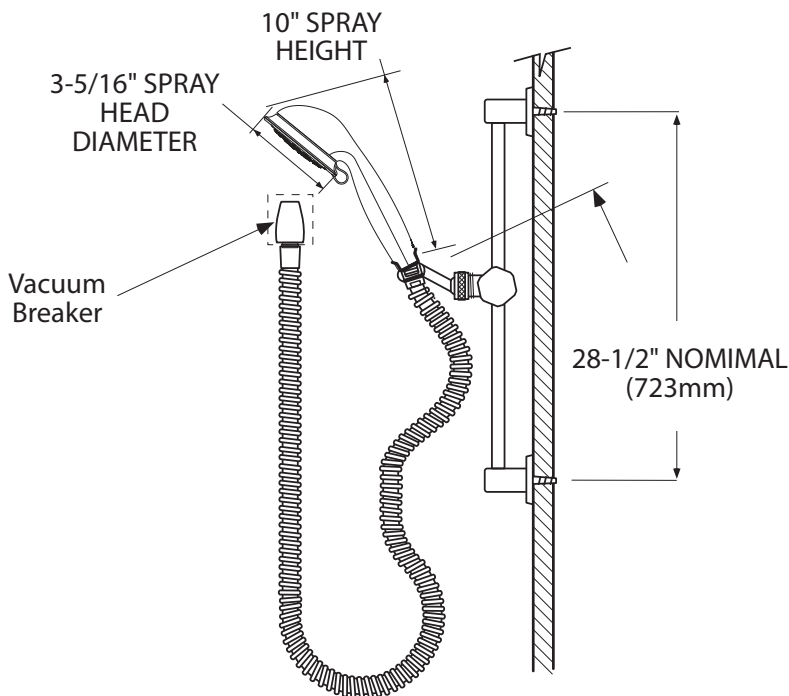
WARRANTY

- Warranted for 5 years against material or manufacturing defects



3-Functions Shower System

Model: 52740EP17



CRITICAL DIMENSIONS

(DO NOT SCALE)