

DA 399-7 Classic

Wall ventilation hood
with energy-efficient LED lighting and backlit controls for easy use.



- Design - 35 3/8 (898)Inch wide trapezoidal canopy
- Efficient filtration- 10-ply stainless steel grease filters
- Safe and easy to clean - Miele CleanCover
- For perfect functionality - accessories for proper venting

EAN: 4002515802199 / material number: 10558800

Construction type	
Wall ventilation hood	•
Design	
Color	Stainless steel
Operating modes	
Recirculated mode	Convertible
OdorFree charcoal filter (order separately)	DKF12-900
Control panel	
Electronic controls	•
Light-touch controls	•
Power levels (number excl. Intensive)	3
Intensive setting	•
Programmable 'Intensive' switch-off	•
Cleaning convenience	
Easy-to-clean CleanCover hood liner	•
Filter system	
Number of dishwasher-safe stainless steel grease filters	3
Lighting	
LED Clear/View lighting	•
Light intensity in Lx	300
Color temperature in K	3,000
Blower	
Dual-action blower	•
AC motor	•
Air throughput with max. duct diameter in vented mode (not for external version)	
Air throughput	Values upon request
Safety	
Safety shut-off	•
Technical data	
Overall hood height for vented and external in in.(mm)	27 3/8 (695)
Overall hood height for recirculation in in.(mm)	32 1/2 (825)
Canopy width in in.(mm)	35 3/8 (898)
Height of hood canopy in in.(mm)	4 3/4 (120)
Depth of hood canopy in in.(mm)	20 1/2 (520)
Minimum distance above electric cooktops in in.(mm)	24 1/8 (610)
Minimum height above gas cooktop (max. 12.6 kW total power, burner 4.5 kW) in mm	26 (660)
Net weight in lbs. (kg)	58 (26.0)
Length of electrical wire in ft (m)	4 (1.5)
Standard plug fitted	•
Total connected load in kW	0.36
Voltage in V	120
Fuse rating in A	15
Number of phases	1
Installation notes	
Vent connection at top	•
Vent connection at top and rear	•
Diameter of vent connection in in.(mm)	6 (150)
Telescopic chimney	•

More information at www.MieleUSA.com

For further information please see next page...

DA 399-7 Classic

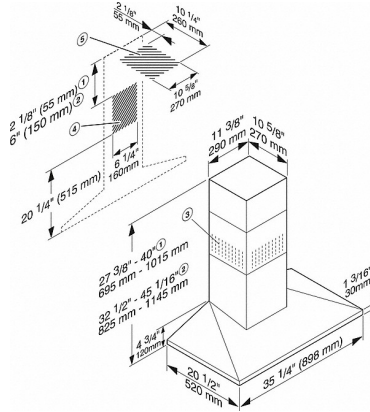
Wall ventilation hood
with energy-efficient LED lighting and backlit controls for easy use.



Standard accessories	
Non-return flap	•
Reducer from 150 to 125 mm Ø	•

DA 399-7 Classic

Wall ventilation hood
with energy-efficient LED lighting and backlit controls for easy use.



DA 399-6 (Installation drawing) - USA

- 1) Extraction
- 2) Recirculation
- 3) Ventilation grille at top for recirculation
- 4+5) Installation cut-out (5 not required for recirculation)