

DA 1260

Built-under hood

with energy-efficient LED lighting and sliding switch for simple operation.



- Minimalist design - 23 5/8 (598)Inch wide space saving solution
- Efficient filtration- 10-ply stainless steel grease filters
- Safe and easy to clean - Miele CleanCover
- Suitable for every home - vented or recirculating

EAN: 4002515882979 / material number: 10662780

Construction type	
Built-under ventilation hood	•
Design	
Color	Stainless steel
Operating modes	
Recirculated mode	Convertible
OdorFree charcoal filter (order separately)	DKF18-900
Control panel	
Recessed knob controls	•
Slide switch	•
Power levels (number excl. Intensive)	3
Intensive setting	•
Cleaning convenience	
Easy-to-clean CleanCover hood liner	•
Filter system	
Number of dishwasher-safe stainless steel grease filters	2
Lighting	
LED ClearView lighting	•
Light intensity in Lx	275
Color temperature in K	3,000
Blower	
Single-action blower	•
AC motor	•
Air throughput with max. duct diameter in vented mode (not for external version)	
Air throughput	Values upon request
Technical data	
Canopy width in in.(mm)	23 5/8 (598)
Height of hood canopy in in.(mm)	5 (125)
Depth of hood canopy in in.(mm)	19 3/4 (500)
Minimum distance above electric cooktops in in.(mm)	17 3/4 (450)
Minimum height above gas cooktop (max. 12.6 kW total power, burner 4.5 kW) in mm	25 5/8 (650)
Net weight in lbs. (kg)	25 (11.2)
Length of electrical wire in ft (m)	4 (1.5)
Standard plug fitted	•
Total connected load in kW	0.29
Voltage in V	120
Fuse rating in A	15
Number of phases	1
Installation notes	
Vent connection at top	•
Diameter of vent connection in in.(mm)	6 (150)
Installation template	•
Standard accessories	
Non-return flap	•
Recirculation deflector	•
Reducer from 150 to 125 mm Ø	•

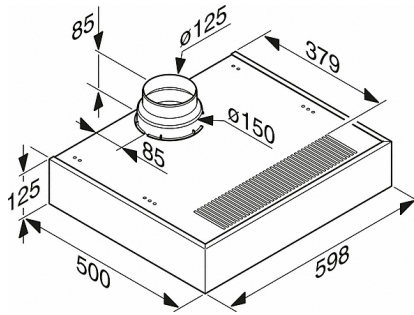
More information at www.MieleUSA.com

For further information please see next page...

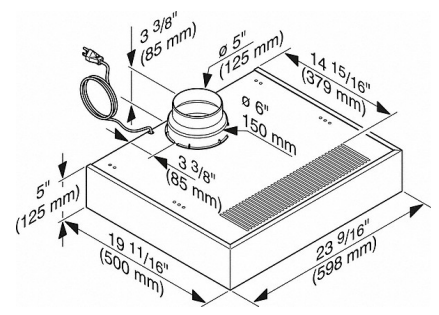
DA 1260

Built-under hood

with energy-efficient LED lighting and sliding switch for simple operation.



DA 1060, DA 1160, DA 1260 (Installation drawing)



DA 1060, DA 1160, DA 1260 (Installation drawing)