

HR 1135-1 G

36 inch range

All Gas with DirectSelect, Twin convection fans and M Pro dual stacked burners



- Turn dial operation with display - DirectSelect
- Maximum variety - four powerful burners and a grill
- Fast heating time and even heat distribution – TwinPower
- Easy clean-up - Self-cleaning and dishwasher-safe grates
- Easy opening & closing - noise and vibration absorbers

EAN: 4002516052920 / material number: 10833740

Construction type	
Range	•
Appliance width in inches	36
Type of heating	
All gas	•
Gas type	Natural gas
Design	
Appliance color	Clean Touch Steel
Oven display	DirectSelect
Operating modes - oven and speed oven	
Defrost	•
Maxi Broil	•
Convection Bake	•
Bake	•
Convection Roast	•
Cooktop features	
Number of gas burners	4
Number of simmer burners	1 x 8.000
Number of simmer burners	1 x 9.000
Number of simmer burners	2 x 19.500
True Simmer function	•
GasStop	•
ReStart	•
Number and power rating of grill surface in BTU/h	1 x 19,000
Width of broil surface in in.(mm)	11 1/4 (284)
Depth of broil surface in in.(mm)	22 1/8 (560)
Control panel	
Precision knobs	•
Time of day display	•
Minute minder	•
Time buffer in h	200
Automatic switch-off	•
Programmable cooking time	•
Actual temperature display	•
Acoustic signal when desired temperature is reached	•
Individual settings	•
Door	
CleanGlass door	•
Door contact switch	•
SoftClose oven door/ SoftOpen	•
Cavity	
Oven cavity volume in cu. ft. (l)	5.76 (163)
Number of oven shelf levels	6
No. of halogen lamps	double
TwinPower hot air fans	•
Cleaning convenience	
Stainless-steel front with partial Clean Touch Steel finish	•
Oven with self-cleaning program	•
ComfortClean dishwasher-safe grates	•
Cooktop surface	Black enamel

More information at www.MieleUSA.com

For further information please see next page...

HR 1135-1 G

36 inch range

All Gas with DirectSelect, Twin convection fans and M Pro dual stacked burners

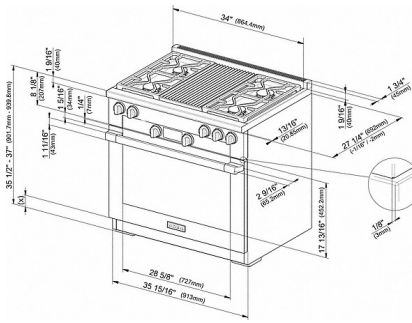


Efficiency and sustainability	
Residual heat utilization	•
Safety	
Appliance cooling system with cool touch front	•
Safety cut-out	•
System lock	•
Door contact switch	•
Door lock during self cleaning	•
Technical data	
Appliance width in inches	35 15/16
Appliance width in in.(mm)	915
Appliance height in in.(mm)	37 1/8 (942)
Appliance depth in in. (depth) with bullnose	27 1/2 (698)
Electric total rated load in kW	0.6
Power Rating in V	120
Fuse rating in A	15
Number of phases	1
Standard accessories	
PerfectClean universal baking tray	1
Self Clean ready baking and roasting rack	1
Self clean ready baking and roasting racks with rail system	1

HR 1135-1 G

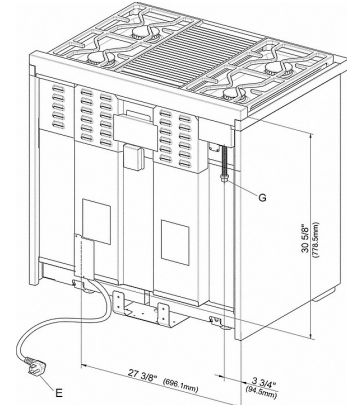
36 inch range

All Gas with DirectSelect, Twin convection fans and M Pro dual stacked burners



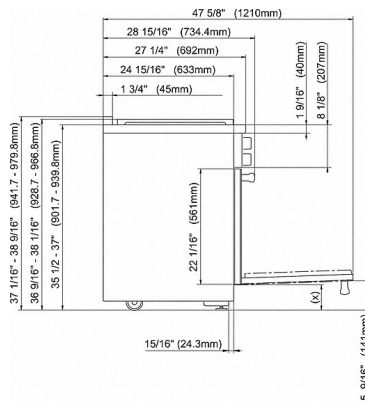
HR1135G (installation drawing)

(x) = Toe-kick height adjustment 5" - 6 1/2" (127 mm - 165.1 mm)



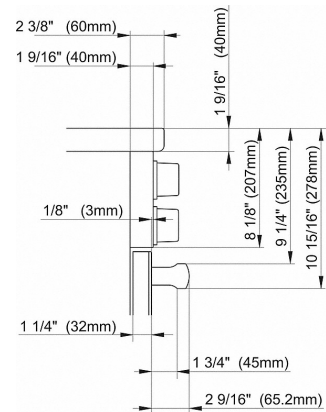
HR1135G (installation drawing)

E = Electric connection
 G = Gas connection



HR 11xx (Installation drawing)

(x) = Toe-kick height adjustment 5" - 6 1/2" (127 mm - 165.1 mm)



HR 11xx (Installation drawing)