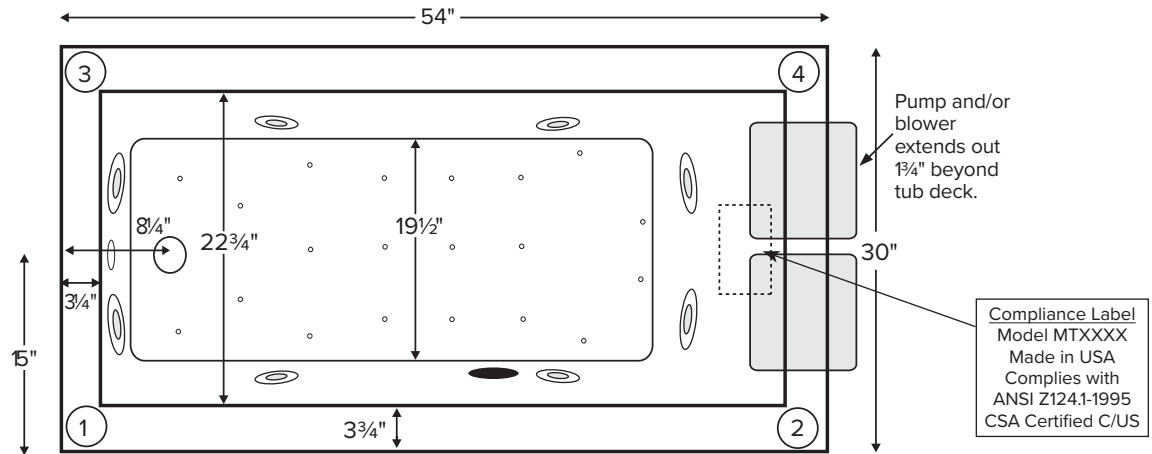


## Designer Collection Tubs

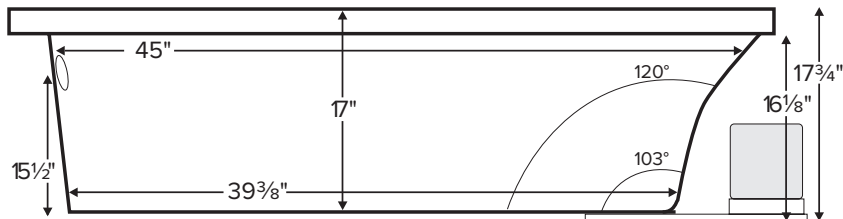
### Andrea® 17

MODEL 107		
54" x 30" x 17.75"		
DROP-IN or UNDERMOUNT 51 gal to overflow		
<b>Acrylic CXL®</b>	<b>DoloMatte®</b>	
80 lbs / 36 kg	<SOAKER>	90 lbs / 41 kg
105 lbs / 48 kg	<PLUMBED>	118 lbs / 54 kg
Filling this tub to the maximum may require an above average size or dedicated water heater.		



Numbered areas on tub deck represent possible locations to install cleaning systems, faucets and other fixtures.

Shown with Air Massage and Ultra Whirlpool Package.



**IMPORTANT:**  
Air baths and tubs with a pre-leveled foam base or frame system add 2-3" to overall tub height.

### IMPORTANT ORDERING & INSTALLATION INFORMATION

- Before ordering or installing, please consider future access to equipment.
- Add proper bedding compound to fully level and support bottom of tub.
- When equipped with an air bath package, pre-leveled foam base or frame system, overall tub height is increased by approx. 2-3" and is designed to install on a flat, level subfloor.
- Radiance placed on airbath floor will affect placement of air jets.
- System components may extend beyond the perimeter of deck.
- Please measure tub **on-site** before building tub decking.
- Advise MTI when planning to use a glass enclosure. Relocation of controls may be necessary.
- Suction and control locations may vary.
- All tubs are compliant with ASTM C 1028-07 coefficient of friction. DoloMatte meets ANSI A137.1/ A326.3 coefficient of friction and AS HB198:2014 slip tests.

### ELECTRICAL COMPONENTS & SPECIFICATIONS

Hydrotherapy Package	Components Included	GFCI / 110V
<b>Standard Whirlpool</b>	2-bhp pump	1-15 amp
<b>Stream Bath</b>	1/2-bhp, ozone	1-20 amp
<b>Microbubbles</b>	Microbubbles pump	1-15 amp
<b>Ultra Whirlpool</b>	2-bhp pump, inline heater, ozone	2-15 amp
<b>Air Massage</b>	heated blower	1-15 amp
<b>Air Massage Elite</b>	heated blower, chromatherapy	1-15 amp
<b>Air Massage w/ Stream Bath</b>	1/2-bhp pump, heated blower, ozone	1-20 amp
<b>Air Massage Elite w/ Stream Bath</b>	1/2-bhp pump, heated blower, chromatherapy, ozone	1-20 amp

Electrical requirements may change with the addition of optional therapy components. See specific option details or installation information.  
CSA Certified C/US; B45.5/IAPMO ANSI Z124.1 and ANSI 112.197

Hydrotherapy Package	Components Included	GFCI / 110V
<b>Microbubbles with Air</b>	Microbubbles pump, heated blower	1-20 amp
<b>Microbubbles with Air Elite</b>	Microbubbles pump, heated blower, chromatherapy	2-15 amp
<b>Air with Whirlpool</b>	2-bhp pump, heated blower	2-15 amp
<b>Air with Ultra Whirlpool</b>	2-bhp pump, inline heater, heated blower, ozone	2-20 amp
<b>Air Elite with Whirlpool</b>	2-bhp pump, heated blower, chromatherapy	2-15 amp
<b>Air Elite with Ultra Whirlpool</b>	2-bhp pump, inline heater, heated blower, chromatherapy, ozone	2-20 amp

See the Installation & Operation Manual for more details.  
MTI's Customer Service Monday-Friday 8am-6pm EST  
800-783-8827 or service@mtibaths.com

- Before discarding tub crate, check for accessories that may be packaged inside.
- All product measurements are ±1/2".
- Specifications and configurations are subject to change without notice.
- Measurements herein supersede all others published prior to publication date below.



- Aromatherapy is eliminated for undermount applications
- Air Baths, Pre-Levelled Foam Base or Frame Systems increase overall height by 2-3".

Andrea® 17  
 MODEL 107  
 54" x 30" x 17.75"

Hydrotherapy Packages	Package Contents	Acrylic CXL®		DoloMatte®	
		Part #	MSRP	Part #	MSRP
Soaker	Soaking bath - no jets	S107-DI	\$2,470	S107DM-DI	\$3,010
		S107-UM		S107DM-UM	
Stream Bath	6 side vents, 2 end vents, 1/2 bhp pump, Ozone	SM107-DI	\$4,760	SM107DM-DI	\$5,300
		SM107-UM		SM107DM-UM	
Microbubbles	1 microbubbles infusion port and pump	M107-DI	\$5,460	M107DM-DI	\$6,000
		M107-UM		M107DM-UM	
Air Massage	20 air jets, heated air blower, Aromatherapy, pre-leveled foam base	AST107-DI	\$5,755	AST107DM-DI	\$6,295
		AST107-UM		AST107DM-UM	
Air Massage Elite	30 air jets, heated air blower, Aromatherapy, Chromatherapy LED lighting, Spa Mode, pre-leveled foam base	AE107-DI	\$7,465	AE107DM-DI	\$8,005
		AE107-UM		AE107DM-UM	
Stream Bath with Air Massage	6 side vents, 2 end vents, 1/2 bhp pump, Ozone, 20 air jets, heated air blower, Aromatherapy, pre-leveled foam base	ASTSM107-DI	\$7,595	ASTSM107DM-DI	\$8,135
		ASTSM107-UM		ASTSM107DM-UM	
Stream Bath with Air Massage Elite	6 side vents, 2 end vents, 1/2 bhp pump, Ozone, 30 air jets, heated air blower, Aromatherapy, Chromatherapy LED lighting, Spa Mode, pre-leveled foam base	AESM107-DI	\$9,485	AESM107DM-DI	\$10,025
		AESM107-UM		AESM107DM-UM	
Microbubbles with Air Massage	1 microbubbles infusion port and pump, 20 air jets, heated air blower, Aromatherapy, pre-leveled foam base	ASTM107-DI	\$8,205	ASTM107DM-DI	\$8,745
		ASTM107-UM		ASTM107DM-UM	
Microbubbles with Air Massage Elite	1 microbubbles infusion port and pump, 30 air jets, heated air blower, Aromatherapy, Chromatherapy LED lighting, Spa Mode, pre-leveled foam base	AEM107-DI	\$9,825	AEM107DM-DI	\$10,365
		AEM107-UM		AEM107DM-UM	
Standard Whirlpool	6 point-massage jets, 2-bhp pump	P107-DI	\$4,600	P107DM-DI	\$5,140
		P107-UM		P107DM-UM	
Ultra Whirlpool	8 point-massage jets, 2-bhp pump, inline heater, Ozone	P107U-DI	\$6,395	P107UDM-DI	\$6,935
		P107U-UM		P107UDM-UM	
Air Massage with Standard Whirlpool	6 point-massage jets, 2-bhp pump, 20 air jets, heated air blower, Aromatherapy, pre-leveled foam base	AW107-DI	\$7,885	AW107DM-DI	\$8,425
		AW107-UM		AW107DM-UM	
Air Massage with Ultra Whirlpool	8 point-massage jets, 2-bhp pump, inline heater, 20 air jets, heated air blower, Aromatherapy, Ozone, pre-leveled foam base	AU107-DI	\$9,680	AU107DM-DI	\$10,220
		AU107-UM		AU107DM-UM	
Air Massage Elite with Standard Whirlpool	6 point-massage jets, 2-bhp pump, 30 air jets, heated air blower, Aromatherapy, Chromatherapy LED lighting, Spa Mode, pre-leveled foam base	AEAP107-DI	\$9,595	AEAP107DM-DI	\$10,135
		AEAP107-UM		AEAP107DM-UM	
Air Massage Elite with Ultra Whirlpool	8 point-massage jets, 2-bhp pump, inline heater, 30 air jets, heated air blower, Aromatherapy, Ozone, Chromatherapy LED lighting, Spa Mode, pre-leveled foam base	AEAP107U-DI	\$10,580	AEAP107UDM-DI	\$11,120
		AEAP107U-UM		AEAP107UDM-UM	

RECOMMENDED SENSORY THERAPIES

**Chromatherapy**

(LE) **\$800** underwater lighting  
 2 LED lights included

**Audiotherapy**

(STEREOBT) **\$1,390** 2 transducers with bluetooth and amplifier  
 (BTREMOTE) **\$600** bluetooth remote

(STEREOH202) **\$1,575** 4 transducers amplifier not included

**Thermaltherapy**

(RAD100) **\$1,595** Radiance®  
 2 heated zones included  
 (HTISOAK) **\$825**



For more information on options and accessories go to Acrylic Tub Options at mtibaths.com

<b>Options</b> <i>Must be ordered at time of purchase.</i>
<b>Standard Colors</b> White (CWH) DoloMatte available in matte white only. Biscuit (CBS) Not available for DoloMatte.
<b>Quick Ship</b> reduces lead time (QSPRI) <b>\$430</b> <i>Please call for availability</i>
<b>Inline Heater</b> maintains water temperature <b>For Soaker or Air Baths (HTISOAK) \$825</b> Includes a recirculating pump <i>Cannot be combined with Microbubbles.</i>
<b>Virtual Spout</b> high-flow integrated tub filler (FPMJ) <b>\$450</b> <i>Virtual Spout location is left of the overflow, unless otherwise specified on order.</i>
<b>Grab Bars</b> from <b>\$330</b> <i>Selections vary. Personalization available.</i>
<b>Textured Bottom</b> (TXTBTM) Acrylic CXL® only <b>\$105</b> DoloMatte® exceeds ANSI A137.1/A326.3 and AS HB198 slip tests.
<b>Low-Profile Rim</b> - reduces rim height to 1" (LPR) <b>\$265</b>
<b>Accessories</b>
<b>Pillows</b> from <b>\$180</b>
<b>Teak Bath Mat</b> (TKMAT3018) <b>\$815</b> <i>Custom sizes also available. Contact MTI for details and pricing.</i>
<b>Teak Tub Tray</b> Slatted (TK-TRAY1) <b>\$500</b> Solid (TK-TRAY2) <b>\$570</b>

<b>Hydrotherapy Equipment &amp; Cleaning Systems</b> <i>Must be ordered at time of purchase.</i>
<b>Inline Heater</b> maintains water temperature <b>For Whirlpools or Stream Bath (HTI) \$570</b> Uses existing pump <i>Cannot be combined with Microbubbles.</i>
<b>Whirlpool Cleaning Systems</b> <b>Fill-Flush (FFSO) \$590</b> <b>Simple Touch (FFE) \$1,020</b> <i>Must specify stub-out location on order. See page 1 for location options.</i>
<b>Whirlpool Jets</b> Pump upgrade may be advisable for optimal performance when adding jets. <b>Point-Massage Jet</b> Extra Point-Massage Jet (EJ) <b>\$315</b> <b>Micro-Jet</b> from <b>\$360</b> <i>Jet styles and packages vary. Personalization available.</i>
<b>Pump Upgrade</b> - 3-bhp (PUMP3) <b>\$315</b>
<b>Jet Trim Kits</b> <b>For Standard Whirlpool</b> Chrome (TRC) <b>\$270</b> , Brushed Nickel (TRBN) <b>\$725</b> <b>For Ultra Whirlpool</b> Chrome (TRCU) <b>\$370</b> , Brushed Nickel (TRBNU) <b>\$960</b>
<b>Ozonator (OZONE) \$515</b> <i>Cannot be added to soakers or airbaths without combination hydrotherapy package or HTISOAK.</i>

**Installation Options** *Must be ordered at time of purchase.*

<b>Pre-Leveled Foam Base</b> (PLFOAM) <b>\$295</b> All airbaths include a pre-leveled foam base.
<b>Pre-Leveled Frame and Foam Base</b> (PLF) <b>\$740</b>
<b>Pre-Leveled Frame and Foam Base with Skirting</b> (Acrylic CXL® tubs only) <i>For pricing and details go to mtibaths.com</i>

<b>Tile Flange</b> <b>Factory-Installed on 3 sides</b> - rigid ABS (TFK3) <b>\$200</b> <b>Field Install Kit</b> - includes rigid ABS & adhesive (TFKNI) <b>\$185</b> <b>IMPORTANT:</b> <i>Must specify flange location(s) on order of Factory-Installed Flange. Not available with optional Low-Profile Rim.</i>
---

**Drains & Overflow Kits** *Toe Tap Rectangular Overflow must be ordered at time of purchase*

<b>Cable Driven</b> <b>Drain Finishes</b> – PVC Drain Kit White/Biscuit (WOCDW) <b>\$440</b> Chrome (WOCD) <b>\$410</b> Brushed Nickel (WOCDBN) <b>\$490</b> Polished Nickel (WOCDPN) <b>\$540</b> Oil-Rubbed Bronze+ (WOCDOR) <b>\$550</b> Polished Brass (WOCDBR) <b>\$690</b> Special Finishes* (WOCDSF) <b>\$1,135</b> <i>MTI does not offer a brass body cable drain kit.</i>
---

<b>Toe Tap</b> <b>Round Overflow</b> – PVC Drain Kit Chrome (WOTTC) <b>\$380</b> Brushed Nickel (WOTBN) <b>\$385</b> Polished Nickel (WOTPN) <b>\$385</b> Special Finishes* (WOTTSF) <b>\$1,145</b> <b>Round Overflow</b> – Solid Brass Drain Chrome (WOTTSBC) <b>\$810</b> Brushed Nickel (WOTTSBBN) <b>\$810</b> Polished Nickel (WOTTSBPN) <b>\$810</b>
---

<b>Toe Tap</b> <b>Rectangular Overflow</b> – PVC Drain Kit Chrome (WOTRC) <b>\$470</b> Brushed Nickel (WOTRBN) <b>\$430</b> White (WOTRW) <b>\$525</b> <b>Lift &amp; Turn</b> <b>Drain Finishes</b> – PVC Drain Kit Chrome (WOC) <b>\$185</b> White (WOW) <b>\$245</b> Brushed Nickel (WOBN) <b>\$305</b>
--

**Slim-Line Overflow with Toe Tap Drain** *Must be ordered at time of purchase.*

- Low profile overflow is factory installed
- Overflow measures 4.5" x 1"
- Provides a deeper soak
- Not available for commercial applications

<b>Slim-Line Overflow with Toe Tap Drain</b> PVC Drain Chrome (SLOT) <b>\$500</b> Brushed Nickel (SLOTBN) <b>\$530</b> Polished Nickel (SLOTBN) <b>\$555</b> White (SLOTW) <b>\$430</b>
--

<b>Slim-Line Overflow with Toe Tap Drain</b> Solid Brass Drain Chrome (SLOTSBC) <b>\$930</b> Brushed Nickel (SLOTSBBN) <b>\$935</b> Polished Nickel (SLOTSBPN) <b>\$935</b> White (SLOTSBW) <b>\$965</b>
---

\* MTI has selected an oil-rubbed bronze finish that is compatible with Delta and many other manufacturers. To ensure best match, order as a Special Finish and submit a sample.

\* Allow 2-4 weeks lead time for Special Finishes. Send sample for best match.

