

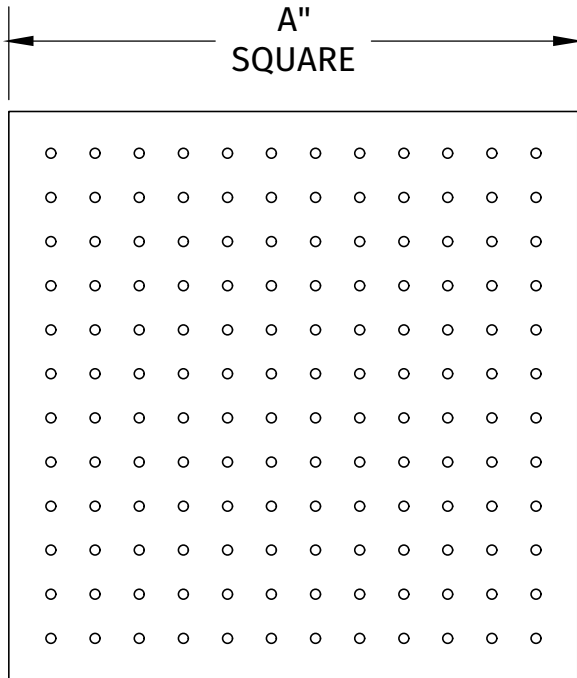
# MT11-6/8/10/12/16

## MOUNTAIN RE-VIVE™ SQUARE RAIN HEAD

### SPECIFICATION SHEET



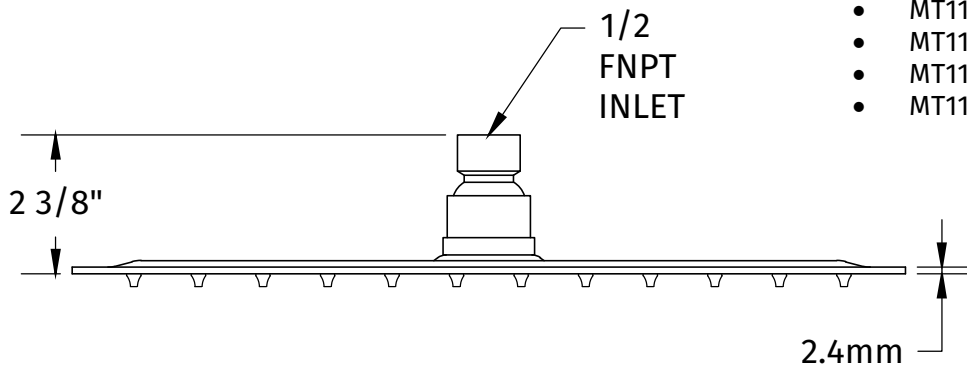
A McAlpine Company  
**Mountain**  
Plumbing Products



- STAINLESS STEEL CONSTRUCTION
- ULTRA SLIM 2.4 mm
- 1.6 GPM
- SEAMLESS CONSTRUCTION
- CLOG-FREE NOZZLES
- (MT11-12 SHOWN)

| MODEL NUMBER | DIM A | NOZZLES |
|--------------|-------|---------|
|--------------|-------|---------|

- |             |        |     |
|-------------|--------|-----|
| • MT11-6:   | 6" SQ  | 64  |
| • MT11-8:   | 8" SQ  | 100 |
| • MT11-10*: | 10" SQ | 144 |
| • MT11-12*: | 12" SQ | 144 |
| • MT11-16*: | 16" SQ | 196 |



\* DUE TO SIZE AND WEIGHT,  
THESE SHOWER HEADS ARE  
BEST SUITED TO BE USED  
EXCLUSIVELY AS A RAIN  
HEAD.

#### WARRANTY

FOR WARRANTY INFO PLEASE VISIT [WWW.MOUNTAINPLUMBING.COM/PAGE/RESOURCES/WARRANTY](http://WWW.MOUNTAINPLUMBING.COM/PAGE/RESOURCES/WARRANTY)

#### FINISH CARE & MAINTENANCE

NEVER USE ANY HARSH ALKALI, ACID BASED DETERGENTS OR CLEANERS SUCH AS SOFT SCRUB®, SCRUBBING BUBBLES® OR COMET® TO CLEAN. DO NOT USE BRILLO® AND SCOTCH BRITE® PADS. THESE WILL ALL HARM THE FINISH. TO CLEAN, USE ONLY A DAMP SOFT CLOTH AND WIPE USING A SOFT CLOTH. STANDARD WINDEX® CAN ALSO BE USED SPARINGLY. IT IS NOT NECESSARY TO WIPE HARD TO REMOVE SPOTS. TO MAINTAIN THE FINISH, WIPE WITH A SOFT DRY CLOTH AFTER USE. AN OCCASIONAL COAT OF PURE CARNAUBA WAX WITHOUT CLEANERS WILL HELP PROTECT THE FINISH.

SPECIFICATIONS SUBJECT TO CHANGE WITHOUT NOTICE