

DORRANCE

Features

- Solid brass construction
- Face plate with ADA compliant contemporary cross handle and diverter pull-knob
- ADA compliant contemporary cross handle assembly options for control valve
- Intended for use with Newport Brass rough valve(s) as specified (Required Accessory)

**Tub and Shower Trim
(less tub spout, showerhead, arm & flange)**

5-2982BP

Also 3-573



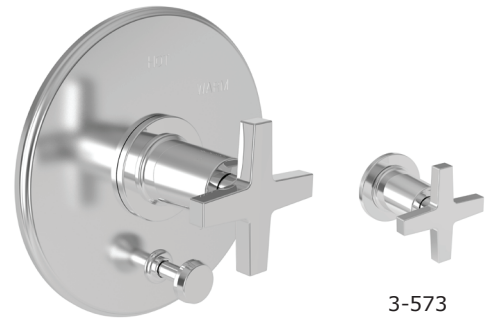
Codes / Standards Compliance

Meets or exceeds the following at date of manufacture:

- ASME A112.18.1/CSA B125.1
- IAPMO/cUPC
- IPC
- ADA
- ICC/ANSI A117.1
- ASSE 1016
- All applicable US Federal and State material regulations

Colors / Finishes

- 10B: Oil Rubbed Bronze
- 15: Polished Nickel
- 15S: Satin Nickel - PVD
- 26: Polished Chrome
- Other: Refer to the Newport Brass catalog for additional color/finish options.



5-2982BP

3-573

Specified Model

Model	Description	Colors Finishes				
5-2982BP	Tub and Shower Trim (less tub spout, showerhead, arm & flange)	<input type="checkbox"/> 10B	<input type="checkbox"/> 15	<input type="checkbox"/> 15S	<input type="checkbox"/> 26	<input type="checkbox"/> Other
3-573	Shower System Control Valve Trim (Escutcheon/Handle)	<input type="checkbox"/> 10B	<input type="checkbox"/> 15	<input type="checkbox"/> 15S	<input type="checkbox"/> 26	<input type="checkbox"/> Other

Required Accessory

Application	Tub & Shower Valve (Choose One)		Control Valve (Optional)
	BP w/Diverter	BP w/Diverter	Diverter (3/4 Port)
Inlet/Outlet Size	1/2"	1/2"	1/2"
Part Number	<input type="checkbox"/> 1-595	<input type="checkbox"/> 1-685	<input type="checkbox"/> 1-617
Image			

Product Specification: Add "Color / Finish" suffix to Model number, below.

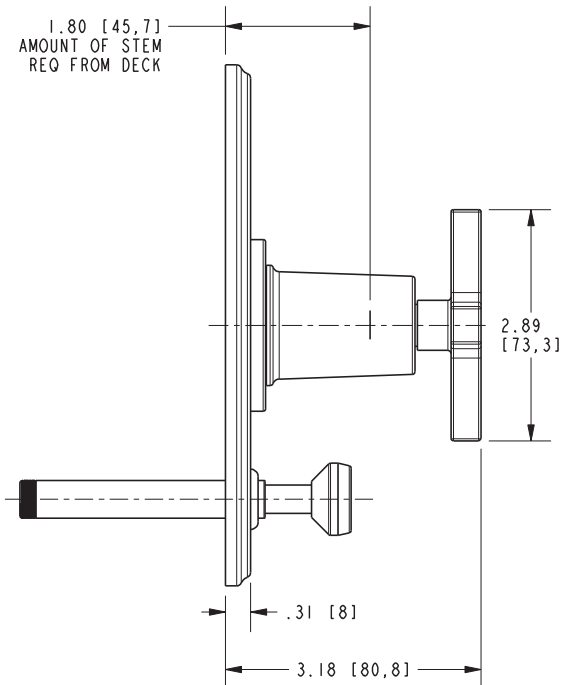
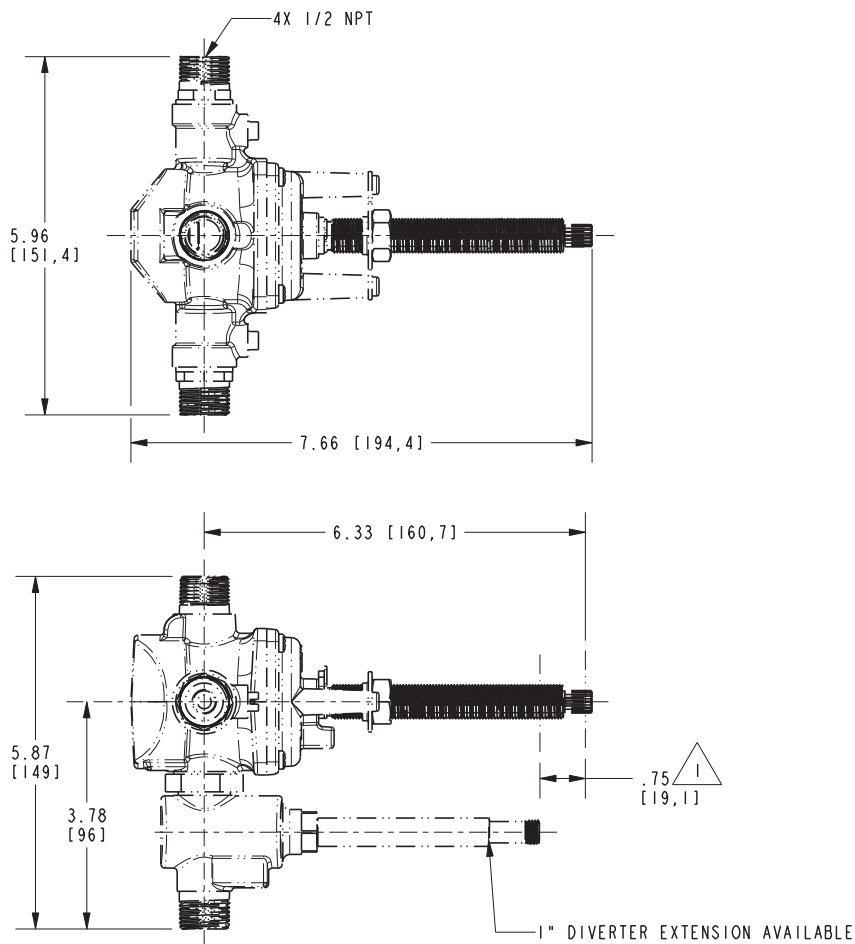
The single-control Tub and Shower Trim (less tub spout, showerhead, arm & flange) shall be made of solid brass construction. Tub and Shower Trim shall include faceplate with ADA compliant handle and diverter pull-knob. Shower System Control Valve Trim(s) (Escutcheon/Handle) shall be ADA compliant when used with specified Shower System Control Valve. Tub and Shower Trim (less tub spout, showerhead, arm & flange) shall be Newport Brass Model 5-2982BP/____ and single-control Tub and Shower rough valve shall be Newport Brass Model 1-____. [Optional Shower System Control Valve Trim(s) (Handle/Escutcheon) shall be 3-573/____ (and 3-573/____) and Shower System Control Valve shall be 1-617].

5-2982BP

PRODUCT DIMENSIONS *(Units are in inches)*

NOTES:

1. CUT ALL-THREAD .75" SHORTER THAN STEM.



Dorrance Tub and Shower Trim
5-2982BP

NEWPORT BRASS
Flawless Beauty. From Faucet to Finish.™