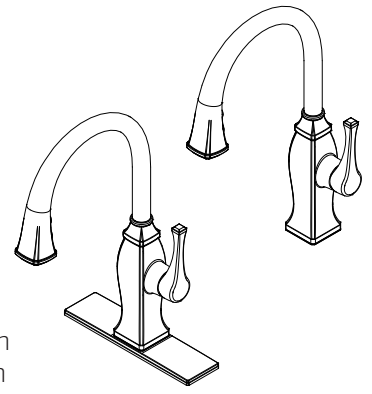


- GT529-BFC Finish(C)
- GT529-BFD Finish(D)
- GT529-BFS Finish(S)
- GT529-BFY Finish(Y)



- All Metal Construction
- 1 or 3-Hole Installation
- Pforever Seal

Specifications

Features

- 1.8 GPM Flow Rate
- 1 or 3-Hole Installation; Deck Plate or Single Hole Mounting Option
- All Metal Construction
- 3 Function Pull-Down Sprayer (Stream, Spray, and Pause)
- Soap/Lotion Dispenser Optional (Order KSD-BFx)

- Includes Deckplate
- Pforever Seal™ Ceramic Disc Valve
- Limited Lifetime Warranty



Code Compliance

Pfister products are designed and manufactured in compliance with the following standards and codes:

- IAPMO Certified to ASME A112.18.1/CSA B125.1 including:
 - ASME A112.18.3 (Backflow Prevention)
- NSF/ANSI/CAN61:Q≤1
- CEC Certified/CALGreen compliant
- ADA Compliant - ANSI A117.1 (Lever Handle Only)



Dimensions

