



PREMIERE CHROME LAZY SUSANS
20" REVOLVING D-SHAPE
 INSTALLATION INSTRUCTIONS

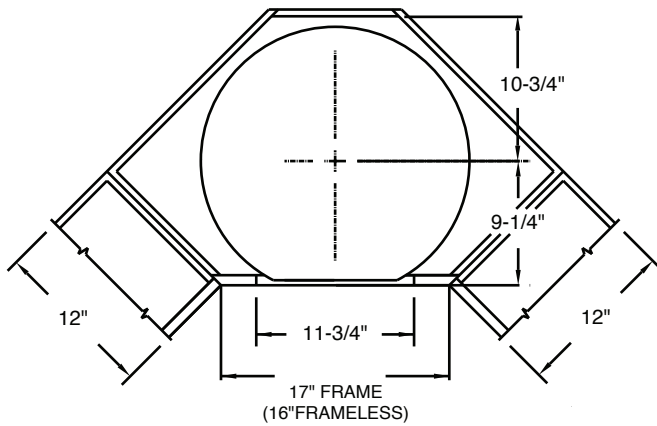


FIGURE 1

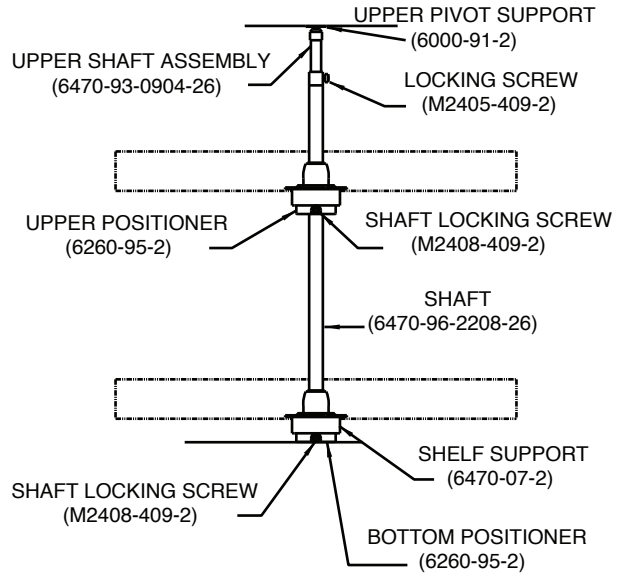


FIGURE 2

1. The dimensions shown in Figure 1. are minimum.
2. With bottom and upper pivot supports installed (see reverse side), begin assembling the shelves and the main shaft. Working from bottom up, inside the cabinet space, slide the upper shelf onto the shaft. Slide the upper positioner onto the shaft and temporarily tighten the screw with the positioner approximately 15" from the bottom of the shaft. Slide the bottom shelf onto the shaft.
3. Insert the upper shaft assembly into the top end of the shaft. Loosely install the lock screw. Insert the shaft/tray assembly into the bottom positioner. Extend the upper shaft assembly to engage the upper pivot support (See Figure 2).
4. Adjust the upper shelf position by grasping and supporting the upper shelf positioner assembly while loosening the locking screw. Rotate the positioner and shelf into alignment and securely tighten the locking screw.

INSTALLATION TEMPLATE
 ON REVERSE SIDE.