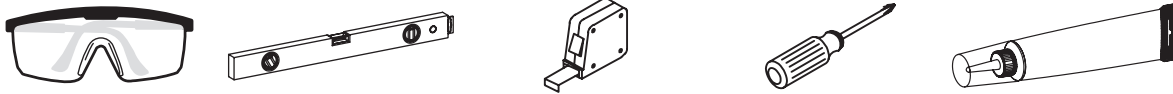


CERAMIC SINKTOP

RONBOW

Model : Item Number starting with 21XXXX

Tools Required



MATERIALS INCLUDED

1 Vitreous China Sinktop

NOTE: DO NOT USE any adhesives with silicone. Silicone will bond to the decorative finish and cause permanent damage. Check the Ronbow website for the individual sink cutout template.

Step 1: Place adhesive around top of cabinet

Step 2: Position and set vanity top on cabinet

See Figure 1.

Step 3: Place a generous portion of plumbers' putty under drain cap and insert whole drain body inside the bowl and through the countertop.

See Figure 2.

Step 4: From under the drain, insert the thick rubber washer and screw on and tighten the metal nut. Remove excess plumbers' putty

See Figure 3.

Step 5: Attach p-trap to tailpiece.

Figure 1.

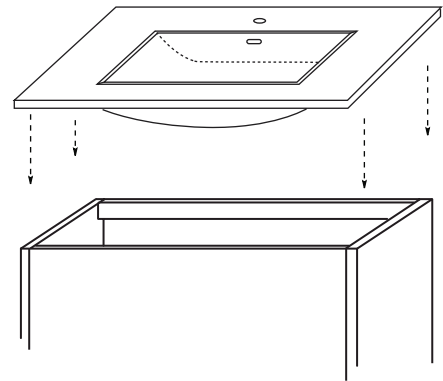


Figure 2.

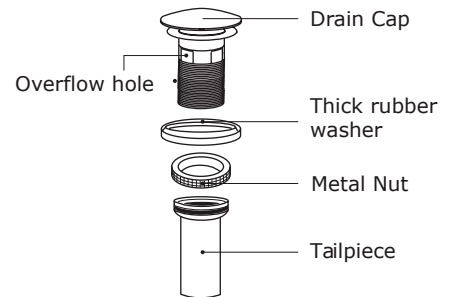
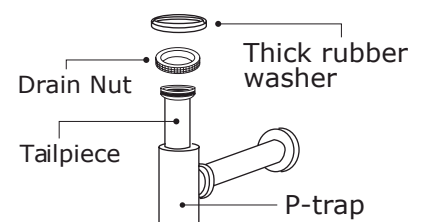
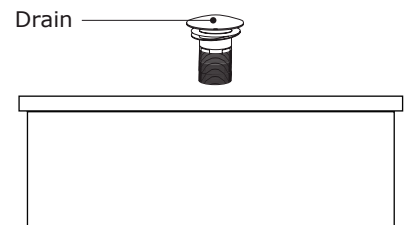


Figure 3.



Model : Item Number starting with 21XXXX

PRODUCT CARE AND MAINTENANCE

The fine furniture finish of your new vanity, mirror or other bathroom accessories are designed to protect against normal home use. With proper care, your product will provide years of use and beauty in your home.

General Care Tips

- Test cleaning product on small, discrete area prior to applying to entire surface.
- Wipe surfaces frequently with dry, soft, non-abrasive and lint-free towel.
- Do not allow liquids and moisture to accumulate on the surface of products.
- For warranty information, please visit our website at www.ronbow.com or contact the Customer Service Department at (510) 713-1188.

Ceramic Sinks

- If a spill occurs, clean and dry the surface immediately as liquid can soak through the surface and cause greater damage.
- Do not place in direct sunlight. Exposure to sunlight may affect the appearance of your vanity, and the finish will eventually crack.
- Keep away from direct sources of extreme temperatures as heat, cold or moisture from humidity. Color changes, or blemishes in the wood can occur if recommended care of is not met. Try to avoid these extremes.
- Most wood surfaces can be cleaned, or dusted, with any commercial wood cleaning product. For general cleaning, use a non-abrasive, or lint-free cloth while dusting along the wood grain to preserve the wood's characteristics.

Recommended Products

- Bar Keeper's Friend
- Household Vinegar
- Proprietary Bathroom Cleaning Products

DISCLAIMERS: Effectiveness of cleaning your Ronbow products is dependent on various factors that include: water temperature, concentration and/or amounts of cleansers. Because of these many different conditions, Ronbow cannot guarantee that the above Product Care & Maintenance methods will effectively clean your product.