

**CODE NUMBER**

3345102

**DESCRIPTION**

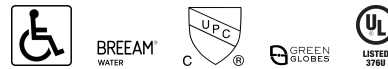
GEM Adapter, Polished Chrome Finish, Single Flush, Hardwired, Exposed Sensor Hardwired Urinal/Water Closet Retrofit Flushometer.

**DETAILS**

- Finish: Polished Chrome (CP)
- Power Type: Hardwired (HW)
- Battery Life: 3 years
- Valve: Diaphragm
- Valve Body Material: Semi-red Brass
- Fixture Type: Urinal/Water Closet
- Fixture Connection: Top spud
- Adapter: GEM Adapter (GEM)

**FEATURES**

- Non-Hold-Open True Mechanical Override Full Flush Button
  - User-friendly three (3) second flush delay
  - "User in View" Flashing LED
  - No External Volume Adjustment to Ensure Water Conservation
- The Side Mount units can be used on standard rough-in Sloan, Royal, Regal and Zurn flushometers.

**COMPLIANCES & CERTIFICATIONS**

(ADA Compliant, BREEAM Water Credit, cUPC Certified, Green Globes Water Credit, UL Certified)

**RECOMMENDED SPECIFICATION**

Valve Body, Cover, Tailpiece and Control Stop shall be in conformance with ASTM Alloy Classification for Semi- Red Brass. Valve shall be in compliance with the applicable sections of ASSE 1037 and ANSI/ASME 112.19.2.

**ELECTRICAL SPECIFICATIONS**

- Battery Life: 3 years

**VALVE OPERATING PRESSURE (FLOWING)**

15–80 PSI (103–552 kPa). Specific fixtures may require greater minimum flowing pressure - consult manufacturer requirements.

**DOWNLOADS**

- [EL-700/750-A Installation Instructions](#)
- [Additional Downloads](#)

**NOTES**

All information contained within this document subject to change without notice.

Looking for other variations of the EL700A product? [View the general spec sheet with all options.](#)

[Find a compatible urinal](#) for this flushometer.

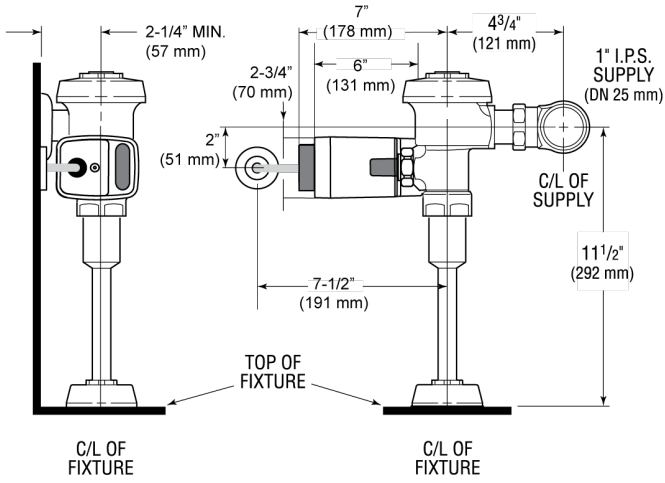
[Find a compatible water closet](#) for this flushometer.

Sloan 10500 Seymour Ave, Franklin Park, IL 60131

Phone: 800.982.5839 • Fax: 800.447.8329 • [sloan.com](http://sloan.com)

**ROUGH-IN**

EL-700-A Single-Flush SideMount Hardwired unit  
shown on an existing Royal 186 urinal flushometer



EL-700-A Single-Flush SideMount Hardwired unit  
shown on an existing Royal 111 closet flushometer

