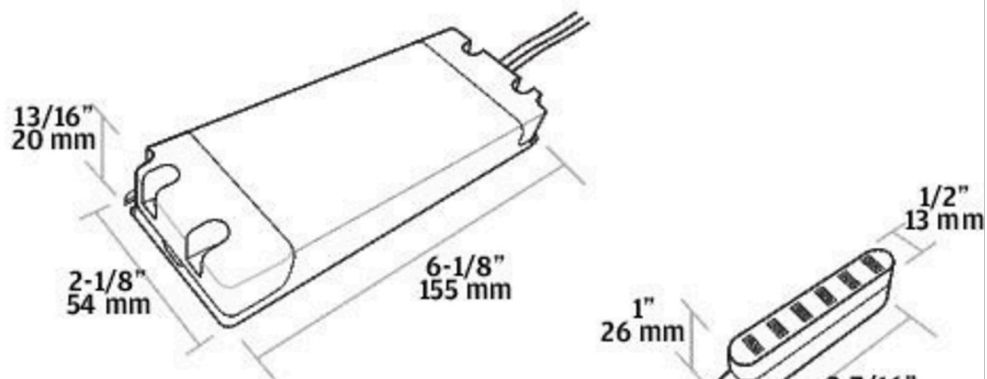


LED 12VDC Power Supply (30W)

L-DCE30D-CON



LED 12VDC Power Supply (60W)

L-DCE60D-CON

