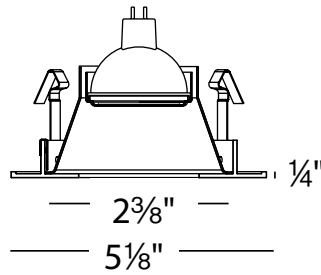


HR-D412-S

4" Low Voltage Downlight Trim

WAC LIGHTING

Responsible Lighting®



Fixture Type:

Catalog Number:

Project:

Location:

PRODUCT DESCRIPTION

Square recessed adjustable trim with interior reflector.
For use with HR-8400 series low voltage housings.

FEATURES

- Square open reflector for optimized performance without more power
- Center lamp holder allows lamp to be tilted up to 35° from vertical
- The supplied clear glass lens can be replaced with one lens accessory
- Handles surfaces up to 3/4" thick
- 5 year WAC Lighting product warranty

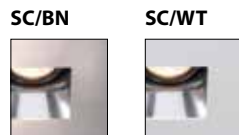
ORDER NUMBER

Model #	Finish	Reflector/Trim
HR-D412-S	SC/BN	Clear/Brushed Nickel
	SC/WT	Clear/White

Model #	Finish
HR-D412-S	<input type="text"/>

Example: **HR-D412-S-SC/BN**

FINISHES



ACCESSORIES

LENS-16- Color Lens	AMB	Amber	LENS-16-UVF	UV Filter
	BLU	Blue	LENS-16-FR	Frosted Lens
	GRN	Green	LENS-16-SPR	Spread Lens
	RED	Red	LENS-16-BEL	Beam Elongating Lens
	YEL	Yellow	LENS-16-HCL	Honeycomb Louver

SPECIFICATIONS







Construction: Die-cast aluminum construction
Three heavy gauge retention clips firmly hold trim to housing.

Lamp: Utilizes LED or Halogen 12V MR16 lamps (order separately).
50W or 75W maximum, see individual housing for wattage rating.

Finish: Trim available in electroplated Brushed Nickel (BN) and powder coat White (WT). Reflector is Specular Clear (SC).

Standards: UL & CUL Listed, Suitable for damp locations

4" Low Voltage Housings (Required)

	Model	Voltage	Transformer	Output	Installation	Rating
	HR-8402E	120V	Electronic	12V, 50W max	New Construction	Non-IC
	HR-8402HL*	120V	Magnetic	12V, 75W max	New Construction	Non-IC
	HR-8403	H 120V HF 277V	Magnetic	12V, 50W max	New Construction	IC Airtight
	HR-8402	H 120V HF 277V	Magnetic	12V, 50W max	New Construction	Non-IC
	HR-8401E	120V	Electronic	12V, 50W max	Remodel	Non-IC
	HR-8401	H 120V HF 277V	Magnetic	12V, 50W max	Remodel	Non-IC

*Not Compatible with HR-D418 or HR-D418-S Non-IC housings require 3" of clearance from insulation on all sides.

Accommodates ceiling thickness of up to 3/4" for remodel & 3/4" for new construction.

WAC Lighting

www.waclighting.com

Phone (800) 526.2588 • Fax (800) 526.2585

Headquarters/Eastern Distribution Center

44 Harbor Park Drive • Port Washington, NY 11050

Phone (516) 515.5000 • Fax (516) 515.5050

Western Distribution Center

1750 Archibald Avenue • Ontario, CA 91760

Phone (800) 526.2588 • Fax (800) 526.2585