

# TOWSON HOT ONLY FILTRATION FAUCET SPECS - LEVER HANDLE

## Model # 1700H



### PRODUCT DESCRIPTION

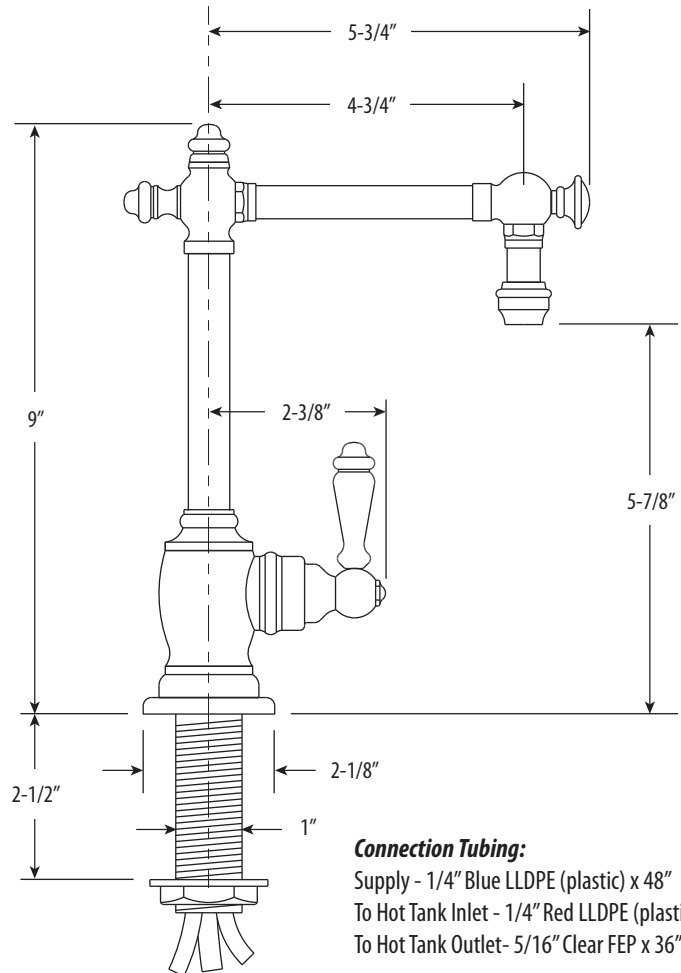
- Instant hot water on demand.
- For use with Waterstone Insta-Hot System.
- Adds convenience to any kitchen.
- Part of the Towson Traditional Suite.
- Straight spout with 4-3/4" reach.
- Spout swivels 360 degrees.
- Single lever handle.
- Compatible with reverse osmosis filtration systems.
- 1/4 turn ceramic disk valve cartridges.
- 1.1 gpm maximum flow rate.
- Solid brass construction.
- Lifetime Functional Warranty.
- Made in America.

### CODES/STANDARDS APPLICABLE

Specified model meets or exceeds the following:

- ASME A112.18.1
- CSA B125.1
- NSF 61, 372
- CALGreen
- ADA Compliant

- Max Counter Thickness 2-1/2"
- Install Hole Size Adaptable Up to 1-3/8"



### Connection Tubing:

- Supply - 1/4" Blue LLDPE (plastic) x 48"
- To Hot Tank Inlet - 1/4" Red LLDPE (plastic) x 36"
- To Hot Tank Outlet - 5/16" Clear FEP x 36"



DIMENSIONS MAY VARY AND ARE SUBJECT TO CHANGE. NO RESPONSIBILITY IS ASSUMED FOR USE OF SUPERCEDED OR VOIDED DATA

### AVAILABLE IN 30 FINISHES + SOLID STAINLESS STEEL

- Antique Brass - AB
- Antique Bronze - ABZ
- Antique Copper - AC
- American Bronze - AMB
- Antique Pewter - AP
- Gloss Black - GB
- Black Nickel - BLN
- Black-Oil Rubbed Bronze - ORB
- Caribbean Bronze - CB
- Chocolate Bronze - CHB
- Chrome - CH

- Classic Bronze - CLZ
- Distressed Antique Brass - DAB
- Distressed Antique Copper - DAC
- Distressed American Bronze - DAMB
- Distressed Antique Pewter - DAP
- Matte Black - MB
- Polished Brass - PB
- Polished Copper - PC
- Polished Gold - PG
- Polished Nickel - PN
- Satin Brass - SB

- Satin Chrome - SC
- Satin Gold - SG
- Satin Nickel - SN
- Stainless Steel - SS\*
- Tuscan Brass - TB
- Unlaquered Polished Brass - UPB
- Venetian Bronze - VB
- Weathered Brass - WB
- Weathered Copper - WC