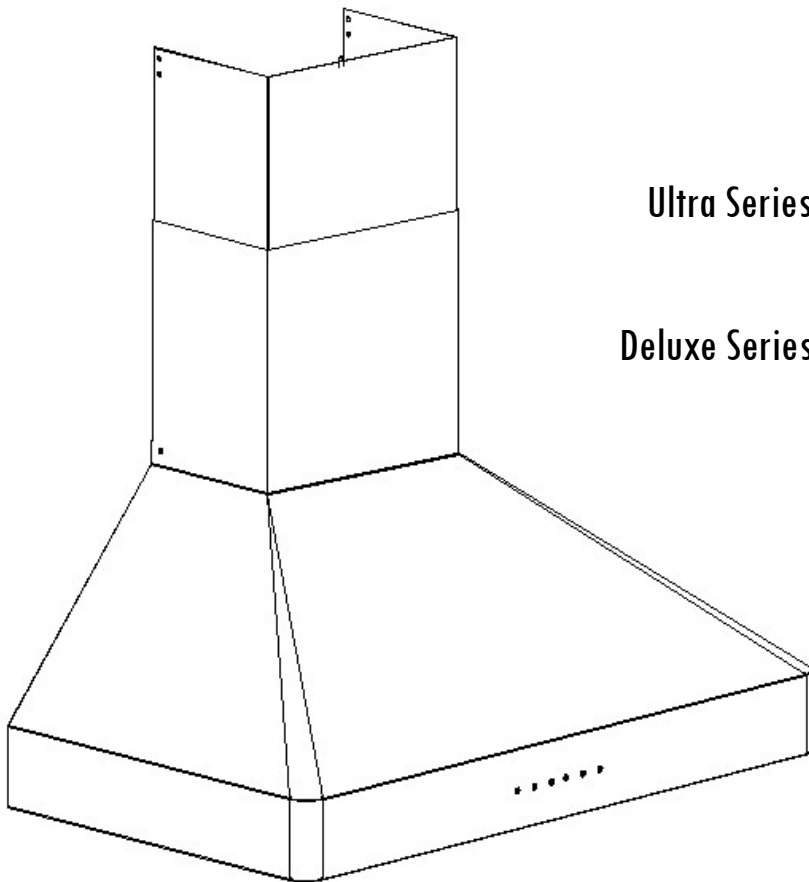


# XtremeAIR®

*The Advanced Range Hoods*

## INSTALLATION GUIDE & USER'S MANUAL

### WALL MOUNT RANGE HOOD



Pro-X Series: PX01-W30/36

PX02-W30/36

PX03-W30/36

PX04-W30/36/42

PX04-W30/36/42-B

PX06-W30/36/42

PX15-W30/36/42

SP03-W30/36/42

Ultra Series: D02-W30/36

UL02-W30/36

UL03-W30/36

Deluxe Series: DL08-W36/42/48



Certified Member

**NKBA**™

**IMPORTANT:** READ AND SAVE THESE INSTRUCTIONS

FOR RESIDENTIAL & INDOOR USE ONLY

## TABLE OF CONTENTS

1	IMPORTANT SAFETY INSTRUCTIONS.....	2
2	HEIGHT & CLEARANCE .....	3
3	VENTING REQUIREMENT .....	3
4	VENTING METHODS .....	3
5	ELECTRICAL REQUIREMENT .....	3
6	TOOLS YOU WILL NEED.....	3
7	PARTS SUPPLIED.....	4
8	DIMENSIONS & INSTALLATION OVERVIEW.....	5
9	INSTALLATION.....	6-7
10	BAFFLE FILTERS INSTALL & REMOVAL.....	7
11	RANGE HOOD OPERATION.....	8-10
12	SPECIFICATION.....	10
13	TROUBLE SHOOTING .....	10-11
14	USE & CARE INFORMATION .....	11
15	MAINTENANCE .....	11
16	PRODUCT WARRANTY .....	12

CAUTION

### 1. IMPORTANT SAFETY INSTRUCTIONS

**IMPORTANT NOTICE:** The Important Safety Instructions and warnings in this manual are not meant to cover all possible problems and/or situations that can occur upon installation of this unit. Use extreme caution when installing, maintaining or operating this or any other appliance. Contact the XtremeAir USA, LLC, Customer Support Team at 1.714.554.9000 or email: [support@XtremeAirUsa.com](mailto:support@XtremeAirUsa.com) with any concerns or situations that you do not understand. **The manufacturer disclaims all liability for any damage or injury caused as a result of not following instructions for installation contained in this manual.**



## DANGER

To avoid the possibility of an explosion or fire, **do not** store or use combustible, flammable or explosive vapors and liquids (such as gasoline) inside or in the vicinity of this or any other appliance. Keep all combustible items (such as aerosol cans) away from cook top burners, ovens and range hoods. Do not store flammable or explosive materials in adjacent cabinets or surrounding areas.

**Disclaimer:** *The manufacturer and/or distributor/reseller decline all responsibility in the event of failure to observe the instructions provided for installation, maintenance and suitable use of the product. The manufacturer and/or distributor/reseller shall NOT be responsible for any injury due to negligence and the warranty of the unit shall automatically be voided due to failure to observe proper safety and installation procedures. The manufacturer and/or distributor/reseller will not be held responsible for any damages to personal property or real estate or any bodily injuries whether caused directly or indirectly by the range hood.*

#### **WARNING - TO REDUCE THE RISK OF FIRE, ELECTRIC SHOCK, OR INJURY TO PERSONS, OBSERVE THE FOLLOWING:**

\*Use this unit only in the manner intended by the manufacturer. If you have questions, contact the manufacturer.

**PRODUCT:** Do not remove permanently affixed labels, warnings or plates from the product. This may void the warranty. Do not try to alter the hood.

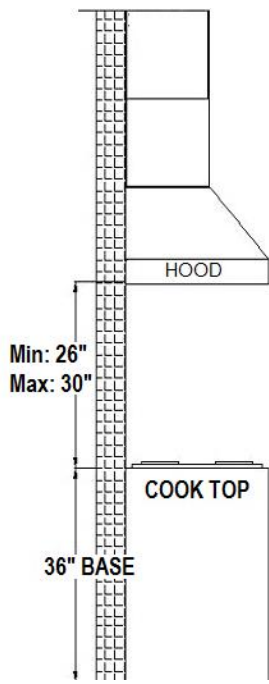
**INSTALLATION:** The installation in this manual is intended for qualified installers, service technicians or persons with a similar qualified background. Installation and electrical wiring must be provided by qualified professionals and in accordance with all applicable codes and standards, including fire-related construction. When cutting or drilling into the wall or ceiling; do not damage electrical wiring and other utilities. It is recommended that two or more people assist with the installation. The range hood may have very sharp edges; please wear protective gloves if it is necessary to remove any parts for installing, cleaning or servicing.

**VENTING:** For kitchen range or cook top ventilating use only. **DO NOT** use units to exhaust hazardous or explosive materials and vapors. Ducted fans **MUST** always be vented to the outdoors. **DO NOT** vent exhaust into spaces between walls, crawl spaces, ceiling, attics and/or garages. Use only metal ductwork. Old duct work should be cleaned or replaced if necessary to avoid the possibility grease fires. Check all joints on ductwork to insure proper connections. All joints should be properly taped.

**ELECTRICAL:** All electrical wiring must be properly installed, insulated and grounded. **TURN POWER OFF** and un-plug cords from outlet before servicing and/or cleaning to insure your safety.

**OPERATION:** Caution is suggested when using high settings on cooking range. Keep all fan, baffle, spaces, filter, grease tunnel, oil container and grease-laden surfaces clean. Grease should not be allowed to accumulate on fan, baffle, spaces, filter, grease tunnel, and oil container. Never allow the filters to become blocked or clogged. Do not allow foreign objects such as cigarettes and/or napkins, to be absorbed into the hood. Clean ventilating fans frequently. Grease should not be allowed to accumulate on the fan or filters.

## 2. HEIGHT & CLEARANCE



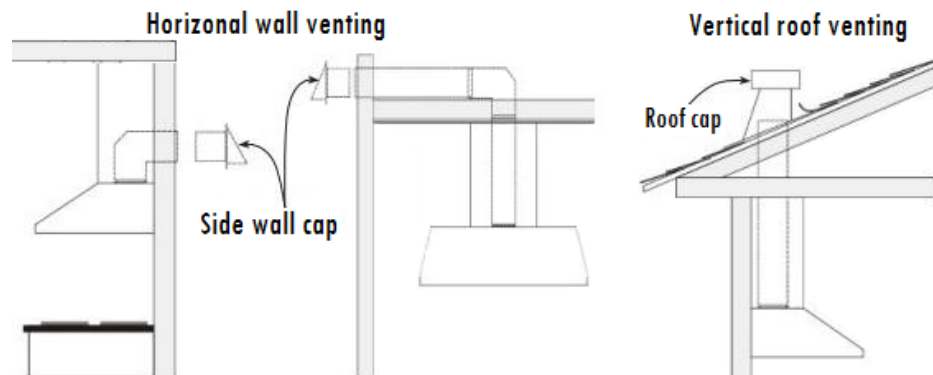
### IMPORTANT:

- NEVER exhaust air or terminate ductwork into crawl spaces, between walls, ceiling, attics or garages. **All exhaust must be ducted to the outside.**
- Hood mounted too low could result in heat and/or fire hazard. Hoods mounted too high will be hard to reach and will lose its performance and efficiency.
- **Use metal ductwork only.**
- **DO NOT use plastic ventilation.**
- **DO NOT use 4" (10.2 cm) laundry-type wall caps.**
- Fasten all connections with sheet metal screws. Tape all joints with aluminum tape.
- Use caulking to seal exterior wall or roof openings around the cap.
- The ventilation system must have a damper. If the roof or wall cap has a damper, you may opt out from usage of your range hood supplied damper (for some models only).

### For the most efficient & quiet operation:

- A distance of 26" to 30" is recommended between stove top and the bottom of range hood.
- It is recommended that the range hood be vented vertically through the roof with a minimum of a 6" or larger vent work.
- ALWAYS, when possible, reduce the number or transitions and turns. If a long duct run is required, increase duct size from 6" to 7" or 8". If a reducer is used, install a long reducer instead of a pancake reducer. Reducing duct size will restrict/decrease airflow.
- The size of the vent should be uniform.
- **Use no more than three 90° elbows.**
- Make sure there is a minimum of 24" (61 cm) of straight vent between the elbows if more than one elbow is used.

## 4. VENTING METHODS



## 5. ELECTRICAL REQUIREMENTS

**IMPORTANT:** Observe all governing building codes and city ordinances.

A 120 volt, 60 Hz., AC, 15-amp outlet is needed (fused electrical circuit is required)

**It is the customer's responsibility:**

1. To contact a qualified electrical installer. To assure that the electrical installation is adequate and in conformance with National Electrical Code, ANSI/ NFPA 70 — latest edition\*, or CSA Standards C22. 1-94, Canadian Electrical Code, Part 1 and C22. 2 No. 0-M91 - latest edition and all local codes and ordinances.

## 6. TOOLS YOU WILL NEED



Level



Powered Screwdriver



Phillip Screwdriver



Tape Measure



Aluminum Tape



OR

Wall/Keyhole Saw



Stud finder



Pencil or Marker

### OPTIONAL


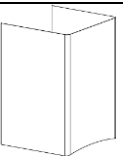
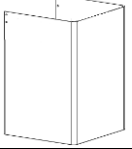

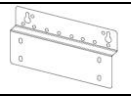




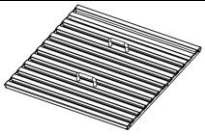
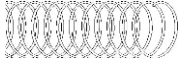





CABINET JACK



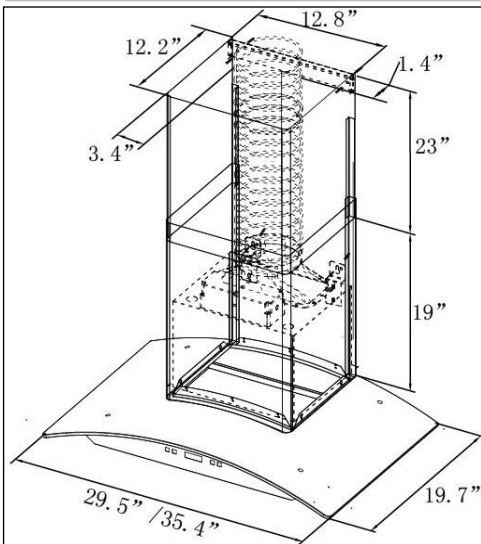
(2) 2" x 4" x 24" (1) 24" x 36"/42" x 3/4" plywood  
Note: about 6" wider than stove is ok

## 7. PARTS SUPPLIED

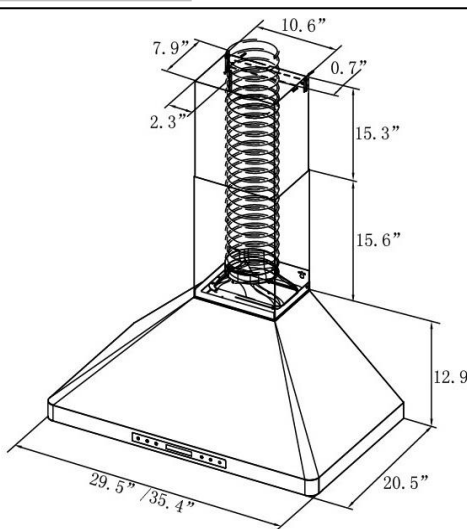
PART SKETCH	CODE	DESCRIPTION	PX01	PX02/ UL02/ PX15	PX03/ UL03	PX04	PX04-B	PX06	DL08	DL08-W48	D02
	M B	MANUAL BOOK	1	1	1	1	1	1	1	1	1
	U C	UPPER/INNER CHIMNEY	1	1	1	1	1	1	1	1	1
	L C	LOWER/OUTER CHIMNEY	1	1	1	1	1	1	1	1	1
	C M B	CEILING MOUNTING BRACKET	1	1	1	1	1	1	1	1	1
	B M B	BODY MOUNTING BRACKET	1	1	1	ATTACH- ED	ATTACH- ED	ATTACH- ED	1	1	ATTACH- ED
	W A	WALL ANCHOR	2	2	2	2	2	2	2	2	2
	W A S	WALL ANCHOR SCREW	4	4	4	4	4	4	4	4	4
	C S	UPPER/INNER CHIMNEY SCREW	4 ATTACH- ED	4 ATTACH- ED	4 ATTACH- ED	4 ATTACH- ED	4 ATTACH- ED	4 ATTACH- ED	4 ATTACH- ED	4 ATTACH- ED	4 ATTACH- ED
	C G	CAPONY GLASS	1	N/A	N/A	N/A	N/A	N/A	N/A	N/A	ATTACH- ED
	B F	BAFLE FILTERS	2	3	2 (30") 3 (36")	N/A	ATTACH- ED	ATTACH- ED	3	4	ATTACH- ED
	A P	ALUMINUM PIPE	1	1	1	1	1	1	1	0	1
	A D	AIR DIVERTER	N/A	1	N/A	N/A	N/A	N/A	N/A	1	N/A
	D C	DUCT CLAMP (2 PCS)	2	2	2	2	2	2	2	0	N/A
	R C	REMOTE CONTROL	N/A	1 UL02-N/A	N/A	N/A	N/A	1	N/A	N/A	N/A

**NOTE: "ATTACHED" MEAN THE PARTS HAVE BEEN ATTACHED OR SCREW TO ITS LOCATION.**

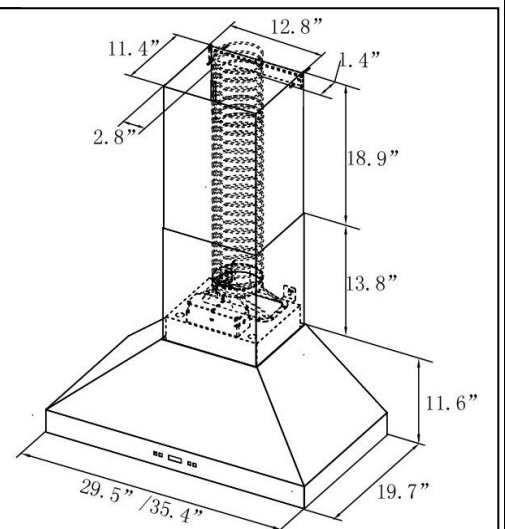
## 8. HOOD DIMENSIONS & INSTALLATION OVERVIEW



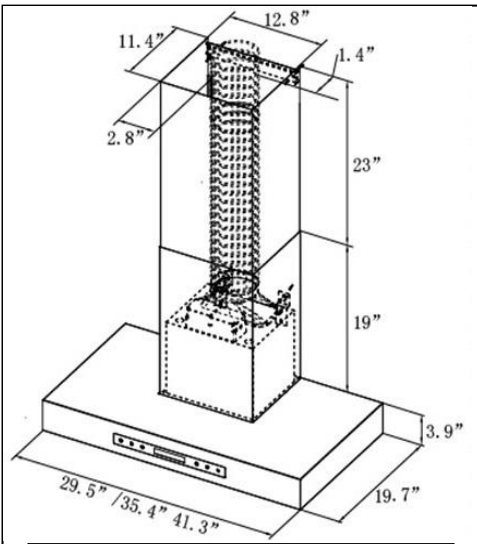
**PX01-W30/36**



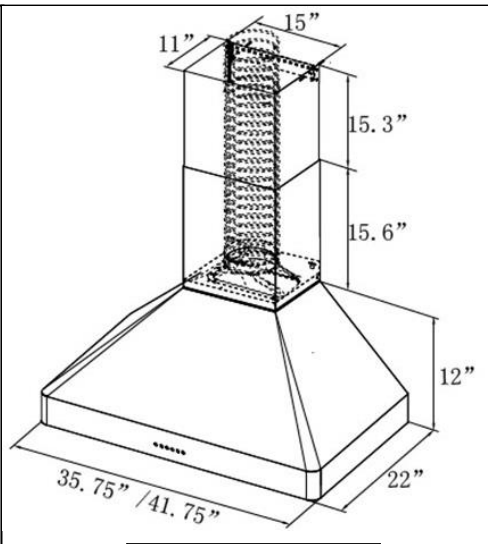
**PX02-W30/36, UL02-W30/36**



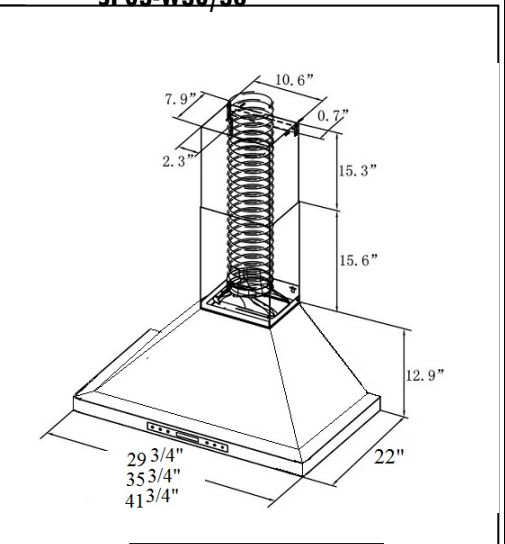
**PX03-W30/36, UL03-W30/36  
SP03-W30/36**



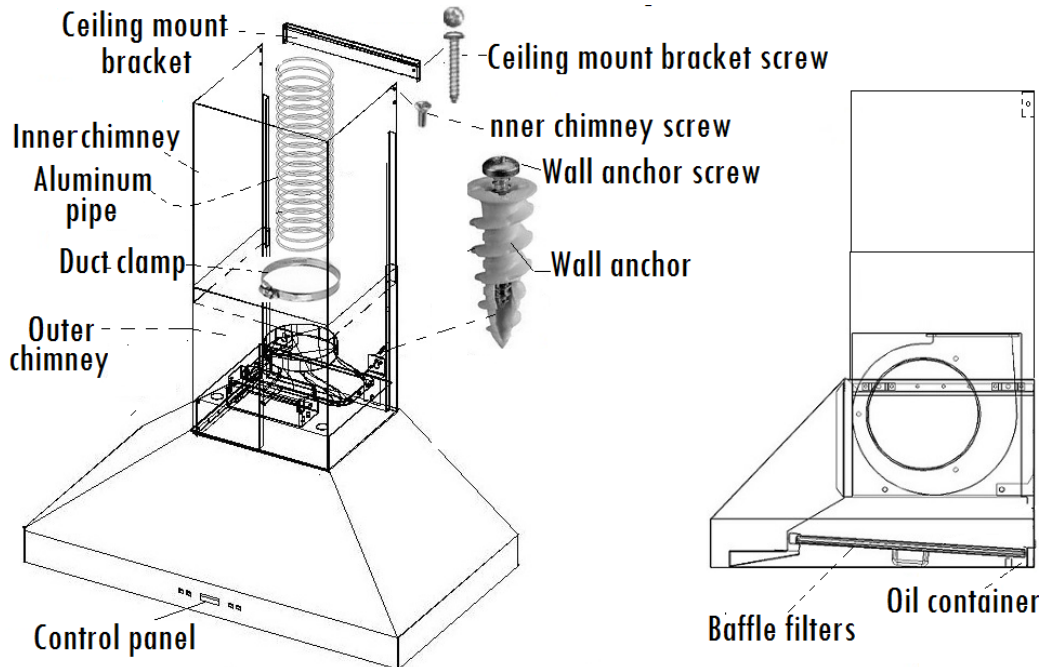
**PX04-W30/36/42 & PX06-W30/36/42**



**DL08-W36/42**



**PX15-W30/36/42**

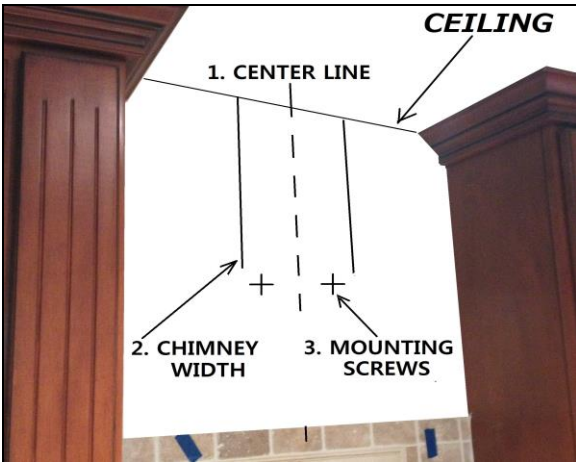


## 9. INSTALLATION



### STEP 1: (OPTIONAL ONLY) PROTECT THE COOK TOP & CREATE WORK STATION

Have 2 pieces 2" x 4" x 20" on both sides of stove & plywood on top of them to protect cook top or stove from damage or debris. This plywood will also create a comfortable work station for easy installation of hood unit.



### STEP 2: MARKING ON THE WALL

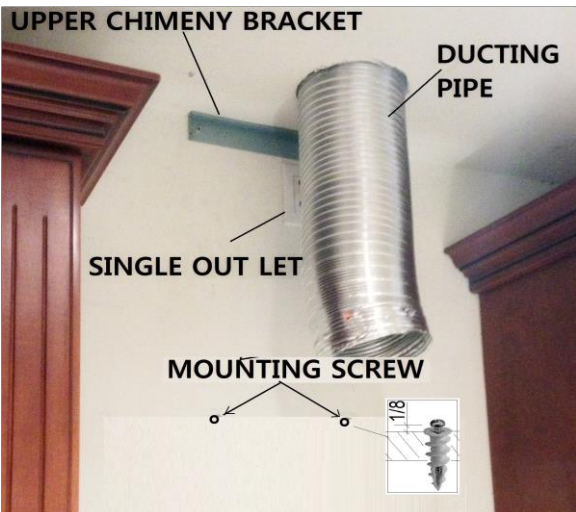
- A. **Center:** is the center of cook top or stove.
- B. **Chimney width:** is the width of the chimney (Varies with each model).
- C. **Mounting screws:** where the hood body will be positioned from.

**FOR PX01, 02, 03 & 08 MODELS:** please assemble body mounting bracket (BMB) to the back of hood body first, so you can find exact placement location. To do so, remove 6 screws located on the back of the hood and place the bracket onto the hood with the same 6 screws.

### \*\*MOUNTING SCREW HOLE DIMENSIONS:

**WIDTH:** dimension from center to center of mounting bracket hole.

**HEIGHT:** dimension from cook top to bottom of range hood (varies from 26" to 30") plus from bottom of range hood to mounting bracket hole.



### STEP 3: PREPARE DUCTWORK & SINGLE OUTLET (SKIP THIS STEP IF DUCTWORK ALREADY PRESENT)

- A. Have 15amp, 120V, 60Hz, single outlet anywhere inside the chimney width lines (make sure at least 2 inches below ceiling line for ceiling bracket mount).
- B. Have 6 or 8 inch diameter ductwork (depending on your model requirements) brought down from the ceiling to about the mark of mounting screws. (1-2 inches away from wall is recommended since you need room to plug in the unit).

### STEP 4: INSTALL CEILING BRACKET, MOUNTING ANCHORS & SCREWS

- A. Place center of ceiling mount bracket in line with center line and all the way up to the ceiling. Once in place, secure with screws.
- B. Pre-drill holes (1/8") where your mounting marks are.
- C. Slowly tighten wall anchors (2 total) until it is flush with the wall surface.
- D. Insert mounting screws inside the wall anchors then slowly tighten it down. Make sure to **leave about 1/8" space away from the wall to the inside screw's head.**



### STEP 5: HANG THE HOOD & CONNECTION

- A. Carefully lift and hang the hood body on the wall, attaching it to 2 mounting screws already in place.
- B. Level the hood body by using horizontal level
- C. Use hand screw driver to tighten those 2 mounting screws
- D. Connect the exhaust on the hood to the ductwork above.
- E. Use aluminum tape to make all joints secure and all tight
- F. Find the three pronged plug and connect to an electrical outlet

**CAUTION:** Do not release the hood until you finish step 6 below.

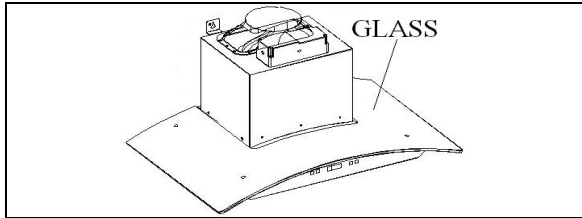
**NOTE:** FOR PX02/UL02 & PX15: please put on top of hood body in this order:

- 1. U bracket (leave foam tape strips on top of hood.)
- 2. Rubber gasket
- 3. Air Diverter



**STEP 6: SECURE THE HOOD BODY & TEST RUN**

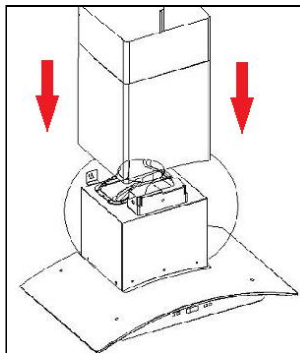
- A. Use a stud finder to find all studs below the hood body. Put blue tape on every stud found.
- B. Use 1/8" drill bit to drill through the back of hood in line with blue tape.
- C. Secure the hood body by using the 2.0 inches wood screws (provided) through the back of hood to the stud.
- D. Refer to page 8, Range Hood Operation. Try a few test runs to ensure machine is running properly.



**STEP 6A: FOR PX01 MODEL ONLY – INSTALL GLASS CANOPY**

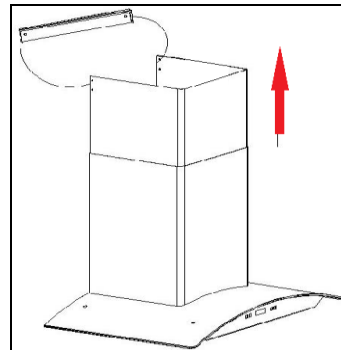
- A. Loosen the four canopy screws and washers from the hood top.
- B. Carefully place the canopy glass on the hood top then slightly tighten the four canopy screws along with washers. DO NOT put excessive pressure against the glass.

**STEP 7: INSTALLING CHIMNEYS - DO NOT REMOVE INNER CHIMNEY PROTECTIVE FILM UNTIL FINISHED INSTALLATION**



- A. Remove outer chimney protective film (not the inner chimney).
- B. Place both chimneys on top of range hood base.
- C. Secure outside chimney to the base of the hood (PX02 & DL08 ONLY).

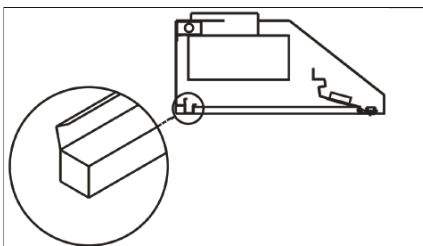
**NEXT**



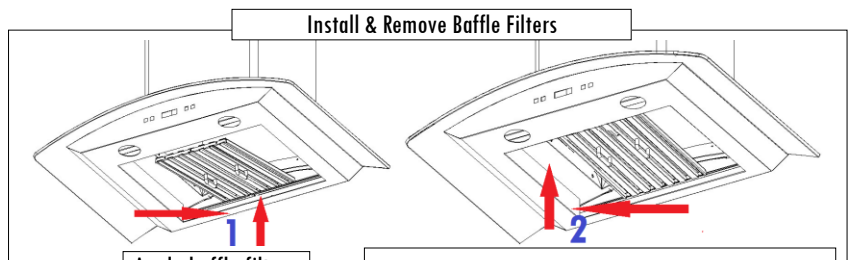
- A. Lift up and attach the inner chimney to the ceiling mounting bracket.
- B. Screw the chimney into place on both sides.
- C. Remove inner chimney protective film.

**10. BAFFLE FILTERS INSTALL & REMOVAL**

**IMPORTANT:** FOR THOSE MODELS THAT HAVE MORE THAN 2 BAFFLE FILTERS, ALWAYS INSTALL THE MIDDLE FILTER LAST WHEREAS REMOVE IT FIRST IF YOU ARE TRYING TO REMOVE ALL OTHER FILTERS.



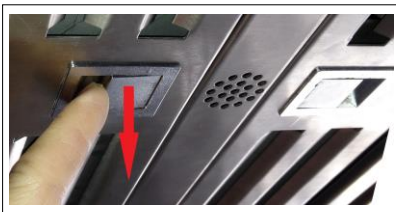
**OIL TUNNEL:** Drop oil tunnel into recess support near rear of hood.  
**Note:** PX04 & PX06- skip this step



**1**  
 Angle baffle filter toward back of hood

**2**  
 Lift a baffle filter up above horizontal level then slide forward into slot behind the front of hood. To remove, please reverse the process

**Model  
 PX04 &  
 PX06**



**OPEN:** While holding a baffle filter, pull baffle filter lock down.

**NEXT**



**TO REMOVE:** While a baffle filter is open, use both hand to hold both end of it, then use your index finger (either left or right) to push baffle filter hinge pin toward to middle of baffle filter to release it.  
**TO INSTALL:** Please reverse the process.

# 11. RANGE HOOD OPERATION

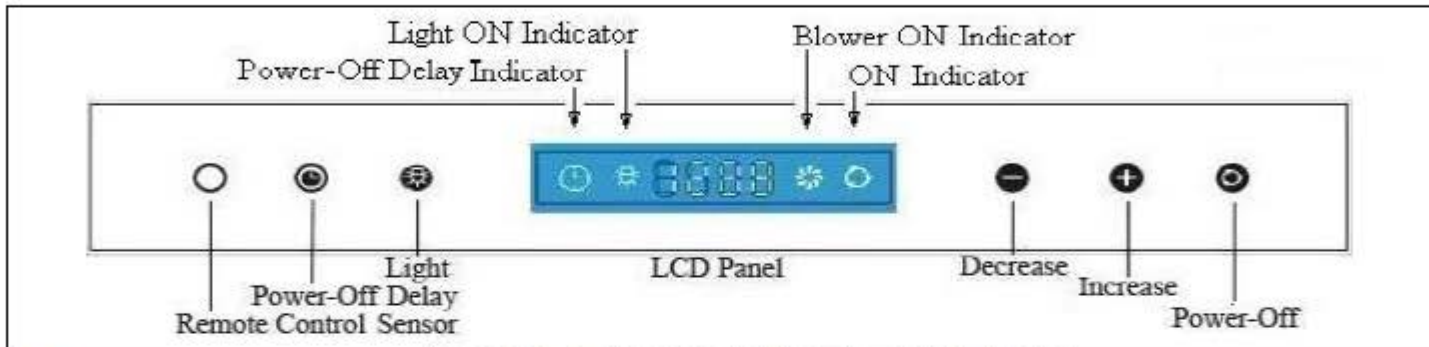
## IMPORTANT: BEFORE YOU BEGIN

1. For **TOUCH SENSITIVE CONTROLS**, please **DO NOT PRESS**. A light touch and hold on the required button for a matter of a (1) one second is all that is needed.
2. **TOUCH THE ENTIRE BUTTON:** See illustration on right:

For best results, Start the range hood before cooking and allow it to operate several minutes after the cooking is completed to clear all smoke and odors from the kitchen.



## 1. FOR PX02 & PX06 Model: TYPE 1: TOUCH SCREEN CONTROL PANEL



### Importance

### TYPE 1: TOUCH SCREEN CONTROL

1. **2 1/2 HOUR AUTOMATIC SHUT OFF:** This range hood will be shut off for every approx. 2 1/2 hours. You can re-start operation usual after it was shut off.
2. **SCREEN TURN OFF:** This range hood is equipped with remote control and smoke sensor that will self-calibrate within 5 seconds when the range hood is first electrically activated. Self-calibration will be set when the range hood beeps. LCD panel **WILL TURN OFF** automatically after a period of inactivity and every time when **plugged into electrical outlet**.

### A. ACTIVATING NORMAL BLOWER FUNCTION:



While the range hood is off,  
 Touch (+) to start from lowest speed, F1  
 Touch (-) to start from Highest speed, F4  
 Touch (+) or (-) again to change the blower speed as indicated in LCD panel

00 = blower off  
 F1 = quiet speed  
 F2 = low speed  
 F3 = medium speed  
 F4 = high speed

### B. Activating Light Function:



Touch *Light* button to turn the lights on or off.

### C. Activating Power-Off Delay Function:



1. While the range hood is on and the blower is running in normal mode, touch *Power-Off Delay* button to activate delay off timer.
2. Adjust to desired period of delay of timer by touching (-) or (+) button quickly (1-15 minutes). Timer begins to countdown immediately, when it reaches 0, the blower will shut off.
3. Display screen will show flashing clock if timer is working.

### D. Changing the dock (only available in some models)

While the blower is off:

1. Touch power sign once. The hour indicator will be flashing.
2. Use (+) or (-) to adjust to the desired hour.
3. Touch power sign again for the "minutes". Indicator will be flashing.
4. Use (+) or (-) to adjust to desired minutes.
5. Touch power sign again to clear the screen. Touch light button to validate. To check time, touch light button.

NOTE: The clock display is only available for product manufactured after October 2013.

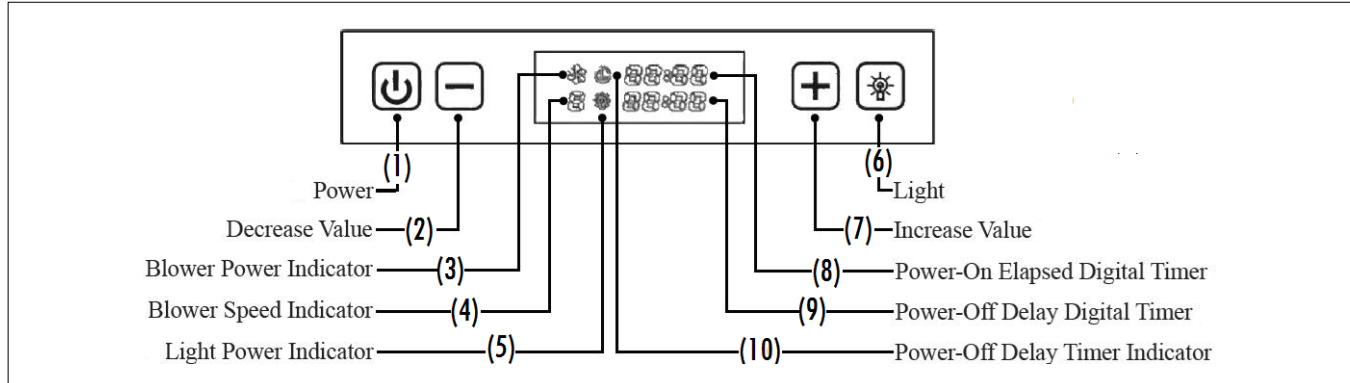


## F. Remote Control Sensor:



1. Remote control sensor receives infrared (IR) signal from the remote control. The maximum distance for IR data transmission is 10 feet and requires direct line of sight. The transmission distance may vary depending on temperature and remote control battery condition.
2. Light settings are independent from other settings (including power-off delay) and lights have to be manually turned on or off.
3. The system saves user configurations, settings such as light, timer and blower (motor) speed will remain the same the next time it is turned on.

## 2. FOR PX01, PX03, PX04, PX04-B, & D02 Model: TYPE 2: BUTTON TOUCH CONTROL PANEL



### Importance Notice:

1. **2 1/2 HOUR AUTOMATIC SHUT OFF:** this range hood will shut off for every approx. 2 1/2 hour. You can re-start operation as usual after it was shut off.
2. **30 HOUR REMINDER:** after 30 hours of use, the timer (8) will be flashing. To clear it, please refer to “G-To Clear Cleaning Reminder” on page 7.

### A. ACTIVATING BLOWER FUNCTION:

- Option 1: Touch and hold down (+) for 1-2 seconds.
  - Option 2: Touch and hold down power sign (1) for 1-2 seconds. (The blower will be running at the same speed as last used).
- Note: The system saves user configurations, settings such as timer and blower (motor) speed will remain the same the next time it is turned on.*

### B. ADJUSTING BLOWER SPEED:

- Touch and hold down (+) for increase.
- Touch and hold down (-) for decrease.

### C. TURNING OFF THE BLOWER:

- Touch and hold down power sign (1) for 1-2 seconds.

### D. TO TURN THE LIGHT ON/OFF:

- Touch Light button (6) once to turn on the lights, and once again to turn off the lights.

### E. ADJUSTING THE TIMER FUNCTION:

- While the blower (motor) is not running, touch and hold Decrease Value button (2) 1-2 seconds or until it's flashing to enter timer mode.
- Adjust to desired period of delay off timer by touching Increase Value or Decrease Value button (**minimum 1 minute to maximum 15 minutes**). **This setting will be saved immediately.**

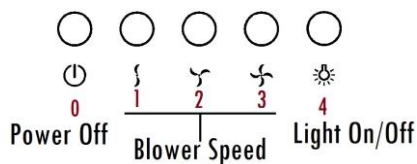
### F. ACTIVATING THE TIMER FUNCTION:

- While the blower (motor) is running, touch and hold “Power” button (1) for 1-2 seconds til you see “BLUE L” to activate delay off timer. *Power-Off Delay Timer Indicator* (10) will light up and *Power-Off Delay Digital Timer* (9) will begin to countdown. When it reaches zero, the blower (motor) will shut down.

### G. TO CLEAR CLEANING REMINDER:

- When blower (motor) starts to rotate, cumulative running time will be shown in *Power-On Elapsed Digital Timer* (8). This timer icon flashes when 30 hours is up and reminds user to clean the baffle filters.
- After cleaning the filters and when the motor is not in use, touch and hold (+) *Increase Value* button (7) over 3 seconds to reset the timer. Please note that turning off the system will not reset the *Power-On Elapsed Digital Timer* (8).

### 3. FOR ALL ULTRA SERIES: TYPE 3: MECHANICAL BUTTON CONTROL



#### A. Activating Blower Function:

- Press your designed speed (1,2,3)

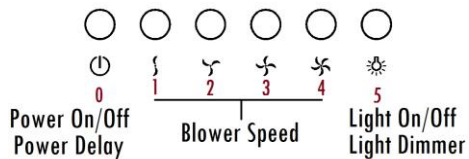
#### B. Turn off power:

- While the blower (motor) is running, press button (0) to turn off the motors.

#### C. To turn the light ON/OFF

- While the light is off, press button (4) once to turn on the light.  
Press button (4) again to turn the light off

### 4. FOR DL08 & DL09 Model: TYPE 4: ELECTRONIC BUTTON CONTROL



#### A. Activating Blower Function:

- Press (0) once (flashing)
- Press your designed speed (1,2,3,4)

#### B. Active delay power shut off / turn off power:

- While the blower (motor) is running, press (0) once to active 3 min power delay shut off
- Press (0) again to turn off blower and power.

#### C. To turn the light ON/OFF & Dimmer

- While the light is off, press (5) once to turn on the light
- Press (5) again to turn dimmer down to lower setting
- Press (5) again to turn the light off.

## 12. SPECIFICATION

	OTHER THAN DL08-W48	DL08-W48
Body Design	Non-Magnetic 1.0 mm Stainless Steel, Satin Finish	Non-Magnetic 1.0 mm Stainless Steel, Satin Finish
Power Rating	120V/60Hz (USA & Canada standard)	120V/60Hz (USA & Canada standard)
General Input Power	158W (150W + 4x2W)	308W (150W + 4x2W)
Motor Input Power	150 W each	150 W each
Ampere	1.3 A	2.6 A
Levels Of Speed Control	4 Levels	4 Levels
Maximum Airflow	900CFM	1600CFM
Noise Level	Approximately 1.5 – 6.0 sones or 33 – 54 dB	Approximately 3.0 – 7.0 sones or 41 – 56 dB
Number Of Motors	Single Motor	2 Motors
Motor Type	Single Chamber Ultra Quiet	Single Chamber Ultra Quiet
Fan Type	Squirrel Cage blower	2 Squirrel Cage blowers
Filtration Type	Heavy Duty Stainless Steel Baffle Filter	Heavy Duty Stainless Steel Baffle Filter
Illumination	2/3/4 LED lights, 2W Maximum/each	4 LED lights, 2W Maximum/each
Venting Size	Top 6 inches Round	Top 8 inches Round
Interference Protection	Radio Frequency Interference Protected	Radio Frequency Interference Protected
Note	Specification subject to change without notice.	Specification subject to change without notice.

## 13. TROUBLESHOOTING

### 1. If the range hood or lights does not operate after installation:

- Check if the range hood has been plugged in. Make sure that all power has been turned back ON.
- Swap out light assembly to working ones to determine whether it is caused by defective bulbs.



- Make sure the range hood is unplugged or turn OFF breaker.
- Pop out the light by pressing behind the light fixture.
- Install new light bulb.
- Put the light set back by pressing it in.
- Plug in and range hood to test for operation.

### 2. The range hood vibrates when the blower is on:

- The range hood might not have been secured properly to the cabinet or wall.
- Check if the blower wheel is damaged.

### 3. The blower or fan seems weak:

- Check that the duct sized used is at least 6". Range hood WILL NOT function efficiently with insufficient duct size & loosely secured.
- Check if duct is clogged or if damper unit (half-circular flapper) is not installed correctly or opening properly. A tight mesh on a side wall cap unit might also cause restriction to the air flow.

### 4. The lights work but the blower is not spinning at all, is stuck or is rattling.

- The blower might be jammed or scraping the bottom due to shipping damage. Please contact us immediately.

### 5. The hood is not venting out properly:

- Make sure the distance between the stove top and the bottom of the hood is within 26" and 30" in distance.
- Reduce the number of elbows and length of ductwork. Check if all joints are properly connected, sealed, and taped.
- Make sure the power is on high speed for heavy cooking.

### 6. The hood is noisier than normal

- The damper was not opened.
- The duct is not secure and causes vibration.
- The smaller duct size than required is being used.

### 7. Control panel is not active

- Check to make sure the auto function is not on.

## 14. USE & CARE INFORMATION

### Operations:

- Read and understand all instructions and warnings in this manual before operating the appliance. Save these instructions for future reference.
- Always leave safety grills and filters in place. Without these components, operating blowers could catch on to hair, fingers and loose clothing.
- NEVER dispose cigarette ashes, ignitable substances, or any foreign objects into blowers.
- NEVER leave cooking unattended. When frying, oil in the pan can easily overheat and catch fire. The risk of self combustion is higher when the oil has been used several times.
- NEVER cook on "open" flames under the range hood. Check deep-fryers during use: Superheated oil may be flammable.

### Cleaning:

- The saturation of greasy residue in the blower and filters may cause increased flammability. Keep unit clean and free of grease and residue build-up at all times to prevent possible fires.
- **FILTERS MUST BE CLEANED PERIODICALLY AND FREE FROM ACCUMULATION OF COOKING RESIDUE.**
- DO NOT operate blowers when filters are removed. Never disassemble parts to clean without proper instructions. Disassembly is recommended to be performed by qualified personnel only. Read and understand all instructions and warnings in this manual before proceeding.

## 15. MAINTENANCE

**SAFETY WARNING:** Never put your hand into area housing the fan while the fan is operating! For optimal operation, clean range hood and all baffle/spacer /filter/grease tunnel/oil container regularly. Regular care will help preserve the appearance of the range hood.

### Cleaning Exterior surfaces:

- Clean periodically with stainless steel cleaner or hot soapy water and clean cotton cloth. **Do not use corrosive or abrasive detergent (e.g. Comet Power Scrub®, EZ-Off® oven cleaner), or steel wool/scoring pads, which will scratch and damage the stainless steel surface.** For heavier soil use liquid degrease such as "Formula 409®" or "Fantastic®" brand cleaner.
- If hood looks splotchy (stainless steel hood), use a stainless steel cleaner to clean the surface of the hood. Avoid getting cleaning solution on or into the control panel. Follow directions of the stainless steel cleaner. **CAUTION:** Do not leave on too long as this may cause damage to hood finish. Use soft towel to wipe off the cleaning solution, gently rub off any stubborn spots. Use dry soft towel to dry the hood.
- After cleaning, you may use non abrasive stainless steel polish such as 3M® or ZEP®, to polish and buff out the stainless luster and grain. Always scrub lightly, with clean cotton cloth, and with the grain.
- **DO NOT** allow deposits to accumulate or remain on the hood.
- **DO NOT** use ordinary steel wool or steel brushes. Small bits of steel may adhere to the surface and cause rusting.
- **DO NOT** allow salt solutions, disinfectants, bleaches, or cleaning compounds to remain in contact with stainless steel for extended periods. Many of these compounds contain chemicals, which may be harmful. Rinse with water after exposure and wipe dry with a clean cloth.

### Cleaning Grease Filter / Stainless Steel Filter less Grill:

**IMPORTANT:** Drain oil from oil containers before oil and residue overflow!

- The metal filters fitted by the factory are intended to filter out residue and grease from cooking. It needs not be replaced on a regular basis but are required to be kept clean.
- Filters should be cleaned after every 30 hours of use. Remove and clean by hand or dishwasher. Use proper degreasing detergent for stainless steel and leave to soak if heavily soiled. Dry filters and re-install before using hood.

## 16. LIMITED WARRANTY

### XtremeAIR USA HOOD TEN (10) YEARS MOTOR LIMITED WARRANTY

XtremeAir USA Range Hood (hereunder called "The Company") warrants its product against defects in material or workmanship for the time periods and as set forth below.

**Parts:** For a period of two (2) years from the original date of purchase of product ("Parts Warranty"), The Company will supply new or equivalent replacement parts in exchange for parts determined to be defective. The motor warranty is extended for an additional eight (8) years to accumulate of ten (10) years total (motor only).

**Labor:** For a period of one (1) year from the original date of purchase of the product ("Labor Warranty"), if the product is determined to be defective, The Company will repair or replace the product, at its option, at no charge. After the Labor Warranty period, labor charges are applicable.

**Warranty Performance:** In the event of any malfunction or defect covered under the terms of this warranty, immediately contact the company. Written notice of any malfunction or defect must be given within 7 days of the time of the discovery of the malfunction and must be accompanied by the original consumer purchase receipt which shows the date of purchase unless product has been registered

Please complete the [Product Registration Card](#) and return it with the dated bill of sale or other evidence of the original proof of purchase within 30 days from purchase of the product to address shown below to protect your investment.

To obtain warranty service, the products must be delivered, freight prepaid, in either its original packaging or packaging affording an equal degree of protection to the company authorized service facility specified as below. The repaired unit will be returned at the company expense.

309 N. Harbor Blvd., Santa Ana, CA 92703, USA

For specific instructions on how to obtain warranty service for your product, Visit XtremeAir USA's Web Site:  
[www.XtremeAirUsa.com/Warranty/Service](http://www.XtremeAirUsa.com/Warranty/Service)

Or call XtremeAir USA Customer Information Service Center: 1(714)554-9000

**Repair / Replacement Warranty:** This Limited Warranty shall apply to any repair, replacement part or replacement product for the remainder of the original Limited Warranty period. Any part or product replaced under this Limited Warranty will become the property of The Company.

This Limited Warranty only covers product issues caused by defects in material or workmanship during ordinary consumer use or non-transferable; it does not cover product issues caused by any other reason, including but not limited to product issues due to commercial use, acts of God, misuse, defects resulting from damages sustained during shipping, unauthorized repair, modification of or to any part of the XtremeAir product.

This Limited Warranty does not cover XtremeAir products sold AS IS or WITH ALL FAULTS, light bulbs, remote control, normal maintenance and service, costs of removal, installation. This Limited Warranty is invalid if the factory-applied serial number has been altered or removed from the product.

#### DISCLAIMERS

XtremeAir USA LLC shall not be responsible for loss of use or other incidental consequential costs, expenses or damages which may occur. Under no circumstances shall XtremeAir USA LLC or any of its representatives be held liable for injury to any person or damage to any property, however arising. This warranty gives you specific legal rights, and you may have other rights which vary from state to state.

All rights reserved to XtremeAir USA LLC

XtremeAIR Warranty 6.1.13