

### Application

Designed for installation on potable water lines to protect against both backsiphonage and backpressure of contaminated water into the potable water supply. Assembly shall provide protection where a potential health hazard exists. The Model 475 is for applications requiring vertical flow up and vertical flow down. The Model 475V is for applications requiring vertical flow up. Ideal for use where lead-free valves are required.

### Standards Compliance

- ASSE® Listed 1013
- AWWA Compliant C511 (with gates only), and C550
- CSA® Certified (4" thru 8")
- IAPMO® Listed
- UL® Classified
- C-UL® Classified
- FM® Approved
- NYC MEA 468-99-M VOL 4
- Approved by the Foundation for Cross Connection Control and Hydraulic Research at the University of Southern California
- Meets the requirements of NSF/ANSI 61\*

\* (0.25% MAX. WEIGHTED AVERAGE LEAD CONTENT)

### Materials

|                 |  |
|-----------------|--|
| Main valve body | Ductile Iron ASTM A 536 Grade 4                    |
| Access covers   | Ductile Iron ASTM A 536 Grade 4                    |
| Coatings        | FDA Approved fusion epoxy finish                   |
| Internals       | Stainless steel, 300 Series<br>NORYL™              |
| Fasteners       | Stainless Steel, 300 Series                        |
| Elastomers      | EPDM (FDA approved)<br>Buna Nitrile (FDA approved) |
| Polymers        | NORYL™   |
| Springs         | Stainless steel, 300 series                        |

### Features

|                                   |   |
|-----------------------------------|---|
| Sizes:                            | 4", 6", 8", 10"   |
| Maximum working water pressure    | 175 PSI   |
| Maximum working water temperature | 140°F   |
| Hydrostatic test pressure         | 350 PSI   |
| End connections                   | (Grooved for steel pipe) AWWA C606-87<br>(Flanged) ANSI B16.1<br>Class 12 |



### Options (Suffixes can be combined)

- with NRS shut-off valves (standard)
- FSC - with epoxy coated wye type strainer (flanged only)
- G - with groove end gate valves
- FG - with flanged inlet gate connection and grooved outlet gate connection
- L - less shut-off valves (grooved body connections)
- MS - with Integral Relief Valve Monitor Switch
- OSY - with OS & Y gate valves
- V - vertical flow up configuration
- BG - with grooved end butterfly valves with integral supervisory switches
- BF - with flanged end butterfly valves with integral supervisory switches
- PI - with Post Indicator Gate Valve
- 509 - with AWWA C509 gate valves

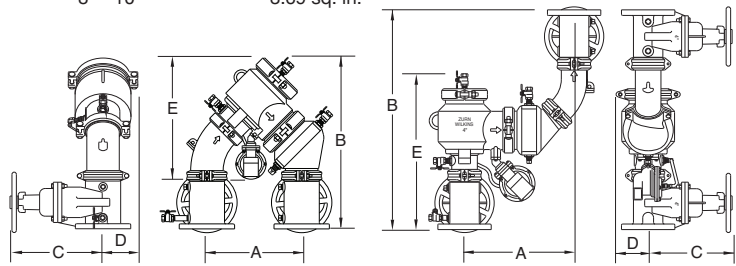
### Accessories

- Air gap (see spec sheet BF-AG)
- Repair kit (rubber only)
- Thermal expansion tank (Model XT)
- Valve setter (Model FLS or MJS or MJFS)
- Gate valve tamper switch (OSY-40)
- Electronic Solenoid Timer (Model EST)
- QT-SET Quick Test Fitting Set

|                              |                |
|------------------------------|----------------|
| Relief Valve discharge port: |                |
| 2 1/2" - 6"                  | - 2.75 sq. in. |
| 8" - 10"                     | - 3.69 sq. in. |

### Dimensions & Weights (do not include pkg.)

| MDL<br>475 &<br>475V<br>SIZE | WEIGHT              |     |                     |     |                     |     |                       |     |                       |     |                        |     |                        |     |
|------------------------------|---------------------|-----|---------------------|-----|---------------------|-----|-----------------------|-----|-----------------------|-----|------------------------|-----|------------------------|-----|
|                              | LESS SHUTOFF VALVES |     | WITH NRS GATE (GXF) |     | WITH NRS GATE (GXG) |     | WITH OS&Y GATES (GXF) |     | WITH OS&Y GATES (GXG) |     | WITH BFLY VALVES (GXF) |     | WITH BFLY VALVES (GXG) |     |
|                              | lbs.                | kg  | lbs.                | kg  | lbs.                | kg  | lbs.                  | kg  | lbs.                  | kg  | lbs.                   | kg  | lbs.                   | kg  |
| 4"                           | 97                  | 44  | 277                 | 126 | 257                 | 117 | 287                   | 130 | 263                   | 119 | 167                    | 76  | 145                    | 66  |
| 6"                           | 171                 | 78  | 455                 | 206 | 425                 | 193 | 471                   | 214 | 449                   | 204 | 275                    | 125 | 245                    | 111 |
| 8"                           | 405                 | 184 | 857                 | 389 | 659                 | 299 | 881                   | 400 | 827                   | 375 | 595                    | 270 | 549                    | 249 |
| 10"                          | 423                 | 192 | 1051                | 477 | 999                 | 453 | 1097                  | 498 | 1039                  | 471 | 697                    | 316 | 639                    | 290 |

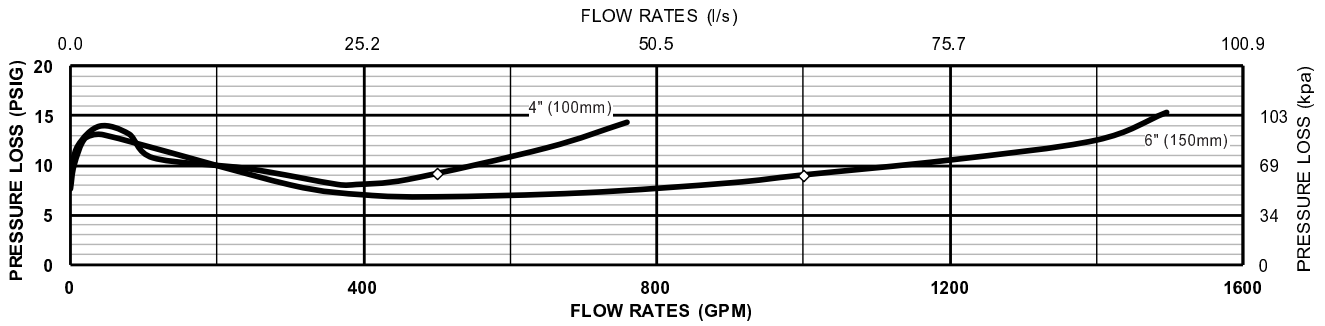


| MODELS<br>475<br>&<br>475V<br>SIZE | DIMENSION (approximate) |     |                    |      |                         |      |                    |     |             |      |               |     |             |     |                         |     |     |     |        |      |                         |     |
|------------------------------------|-------------------------|-----|--------------------|------|-------------------------|------|--------------------|-----|-------------|------|---------------|-----|-------------|-----|-------------------------|-----|-----|-----|--------|------|-------------------------|-----|
|                                    | A                       |     | B WITH GATE VALVES |      | B WITH BUTTERFLY VALVES |      | B LESS GATE VALVES |     | C OS&Y OPEN |      | C OS&Y CLOSED |     | C NRS GATES |     | C WITH BUTTERFLY VALVES |     | D   |     | E      |      | E WITH BUTTERFLY VALVES |     |
|                                    | in.                     | mm  | in.                | mm   | in.                     | mm   | in.                | mm  | in.         | mm   | in.           | mm  | in.         | mm  | in.                     | mm  | in. | mm  | in.    | mm   | in.                     | mm  |
| 4" 475                             | 18 5/16                 | 465 | 30                 | 762  | 27 5/8                  | 702  | 21                 | 533 | 22 3/4      | 578  | 18 1/4        | 464 | 14 3/4      | 375 | 9                       | 229 | 5   | 127 | 23 1/4 | 591  | 23 1/4                  | 591 |
| 4" 475V                            | 18 15/16                | 481 | 36 1/2             | 907  | 31 3/4                  | 807  | 18 1/2             | 470 | 22 3/4      | 578  | 18 1/4        | 464 | 14 3/4      | 375 | 9                       | 229 | 5   | 127 | 21     | 533  | 18 5/8                  | 473 |
| 6" 475                             | 18 11/16                | 475 | 35 1/2             | 902  | 32                      | 813  | 25                 | 635 | 30 1/8      | 765  | 23 3/4        | 603 | 19          | 483 | 10 1/4                  | 260 | 6   | 152 | 26     | 660  | 26                      | 660 |
| 6" 475V                            | 21                      | 533 | 42                 | 1607 | 35                      | 889  | 21                 | 533 | 30 1/8      | 765  | 23 3/4        | 603 | 19          | 483 | 10 1/4                  | 260 | 6   | 152 | 22     | 559  | 18 1/2                  | 470 |
| 8" 475                             | 29                      | 737 | 46                 | 1168 | 42 7/16                 | 1078 | 34 7/16            | 875 | 37 3/4      | 959  | 29 1/4        | 743 | 22 1/2      | 572 | 12                      | 305 | 10  | 254 | 33 1/4 | 845  | 33 1/4                  | 845 |
| 8" 475V                            | 30 5/16                 | 770 | 53 1/2             | 1359 | 46 5/16                 | 1176 | 30 5/16            | 770 | 37 3/4      | 959  | 29 1/4        | 743 | 22 1/2      | 572 | 12                      | 305 | 10  | 254 | 37 7/8 | 962  | 34 3/8                  | 873 |
| 10" 475                            | 29                      | 737 | 47 1/2             | 1207 | 44 7/16                 | 1129 | 34 7/16            | 875 | 45 3/4      | 1162 | 35 3/8        | 899 | 26 1/2      | 673 | 13                      | 330 | 10  | 254 | 33 1/4 | 845  | 33 1/4                  | 845 |
| 10" 475V                           | 30 5/16                 | 770 | 56 1/2             | 1435 | 50 5/16                 | 1278 | 30 5/16            | 770 | 45 3/4      | 1162 | 35 3/8        | 899 | 26 1/2      | 673 | 13                      | 330 | 10  | 254 | 39 3/8 | 1000 | 34 3/8                  | 873 |

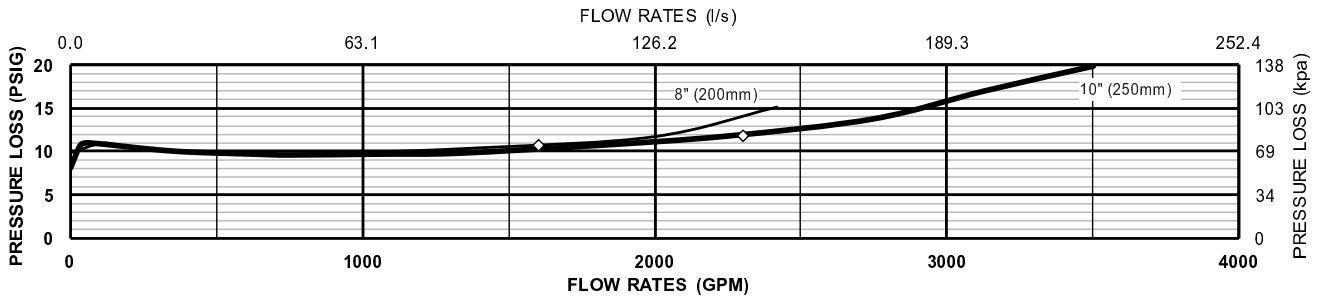
Zurn Industries, LLC | Wilkins  
 1747 Commerce Way, Paso Robles, CA U.S.A. 93446 Ph. 855-663-9876, Fax 805-238-5766  
 In Canada | Zurn Industries Limited  
 3544 Nashua Drive, Mississauga, Ontario L4V 1L2 Ph. 905-405-8272, Fax 905-405-1292

Rev. E  
 Date: 10/16  
 Document No. BF-475&V  
 Product No. Model BF-475&V

**MODEL 475 & 475V 4" & 6" (STANDARD & METRIC)**



**MODEL 475 & 475V 8" & 10" (STANDARD & METRIC)**

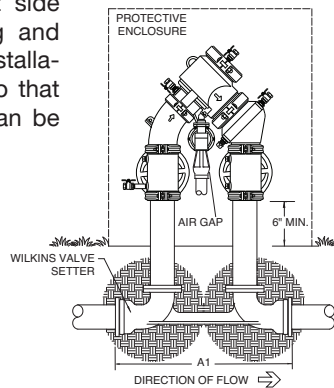


**Typical Installation**

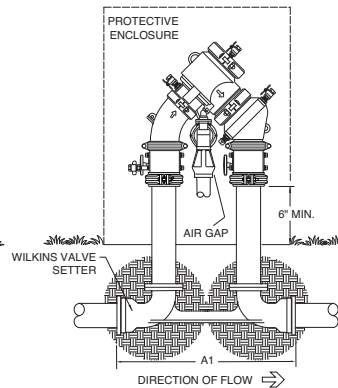
Local codes shall govern installation requirements. To be installed in accordance with the manufacturers' instructions and the latest edition of the Uniform Plumbing Code. Unless otherwise specified, the assembly shall be mounted above adequate drains with sufficient side clearance for testing and maintenance. The installation shall be made so that no part of the unit can be submerged.

| Capacity thru Schedule 40 Pipe (GPM) |          |            |           |           |  |
|--------------------------------------|----------|------------|-----------|-----------|--|
| Pipe size                            | 5 ft/sec | 7.5 ft/sec | 10 ft/sec | 15 ft/sec |  |
| 2 1/2"                               | 75       | 112        | 149       | 224       |  |
| 3"                                   | 115      | 173        | 230       | 346       |  |
| 4"                                   | 198      | 298        | 397       | 595       |  |
| 6"                                   | 450      | 675        | 900       | 1351      |  |
| 8"                                   | 780      | 1169       | 1559      | 2339      |  |
| 10"                                  | 1229     | 1843       | 2458      | 3687      |  |
| 12"                                  | 1763     | 2644       | 3525      | 5288      |  |

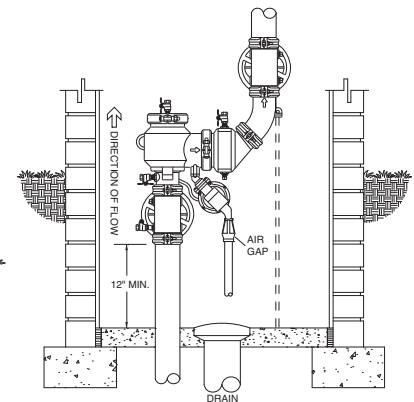
| MODEL SIZE |     | DIMENSIONS (approx.)     |      |                          |      |
|------------|-----|--------------------------|------|--------------------------|------|
|            |     | A1 SETTER END TO END FLS |      | A1 SETTER END TO END MJS |      |
| in.        | mm  | in.                      | mm   | in.                      | mm   |
| 4          | 100 | 31 5/16                  | 795  | 29.313                   | 745  |
| 6          | 150 | 34 3/4                   | 884  | 32.75                    | 832  |
| 8          | 200 | 47                       | 1194 | 44.625                   | 1133 |
| 10         | 250 | 51                       | 1295 | 47                       | 1194 |



**OUTDOOR INSTALLATION**



**OUTDOOR INSTALLATION  
475 (with BG valves)**



**VERTICAL INSTALLATION**

**Specifications**

The Reduced Pressure Principle Backflow Preventer shall be certified to NSF/ANSI 61, ASSE® Listed 1013, and supplied with full port gate valves. The main body and access covers shall be epoxy coated ductile iron (ASTM A 536 Grade 4), the seat ring and check valve shall be NORYL™, the stem shall be stainless steel (ASTM A 276) and the seat disc elastomers shall be EPDM. Center stem guided design shall incorporate two torsion springs to bias the check in the closed position. The first and second checks shall be accessible for maintenance without removing the relief valve or the entire device from the line. If installed indoors, the installation shall be supplied with an air gap adapter. The Reduced Pressure Principle Backflow Preventer shall be a ZURN WILKINS Model 475 or 475V.