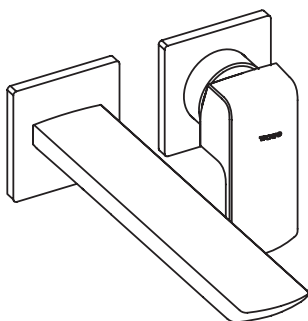


Installation and Owner's Manual  
Manual de instalación y del propietario  
Manuel d'installation et d'utilisation  
Manual de Instalação e do Proprietário

**TOTO**

**Wall Mount Single Lavatory Faucet**  
**Grifo de Lavamanos para Montaje en Pared**  
**Robinet de Lavabo Mural Simple**  
**Faucet de Lavatório Único de Montagem na Parede**



<b>GR</b> <b>TLG02311U</b>	<b>GS</b> <b>TLG03308U</b>	<b>GO</b> <b>TLG01310U</b> <b>TLG01311U</b>	<b>GE</b> <b>TLG07307U</b> <b>TLG07308U</b>
<b>GC</b> <b>TLG08307U</b> <b>TLG08308U</b>	<b>GM</b> <b>TLG09307U</b> <b>TLG09308U</b>	<b>GB</b> <b>TLG10307U</b> <b>TLG10308U</b>	<b>GF</b> <b>TLG11307U</b> <b>TLG11308U</b>

Warranty Registration and Inquiry

For product warranty registration, TOTO U.S.A. Inc. recommends online warranty registration. Please visit our web site <http://www.totousa.com>. If you have questions regarding warranty policy or coverage, please contact TOTO U.S.A. Inc., Customer Service Department, 1155 Southern Road, Morrow, GA 30260 (888) 295-8134 or (678) 466-1300 when calling from outside of U.S.A.

**TABLE OF CONTENTS**

Thanks for Choosing TOTO!.....2 Installation Procedure.....4  
 Warnings.....2 Care and Cleaning.....15  
 Before Installation.....2 Maintenance.....15  
 Included Parts.....3 Warranty.....16  
 Tools You Will Need.....3 Rough-In Dimensions.....62  
 Specifications.....3

**THANK YOU FOR CHOOSING TOTO!**

The mission of TOTO is to provide the world with healthy, hygienic and more comfortable lifestyles. We design every product with the balance of form and function as a guiding principle. Congratulations on your choice.

**WARNINGS**

For safe operation of the faucet, please observe the following:

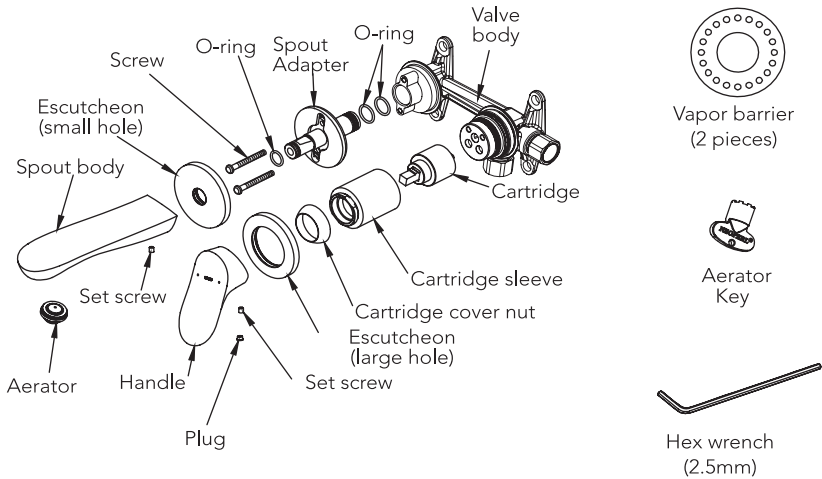
- Operating Pressure:
  - Minimum Pressure.....20 psi (138 kPa), dynamic
  - Maximum Pressure.....80 psi (551 kPa), static
- Do not use the product at an ambient temperature below 32°F (0° C)

**BEFORE INSTALLATION**

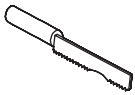
- Observe all local plumbing codes.
- Before installing the faucet, be sure to thoroughly flush the supply pipes of dirt and debris.
- Make sure the water supply is shut off at the stop valve.
- Read these instructions carefully to ensure proper installation.
- TOTO reserves the right to update product design without notice.

## INCLUDED PARTS

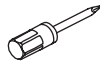
Applicable to : TLG02311U、TLG03308U、TLG09307U、  
 TLG09308U、TLG10307U、TLG10308U、TLG11307U、TLG11308U  
 Check to make sure you have the following parts indicated below:



## TOOLS YOU WILL NEED



Hack Saw



Screwdriver



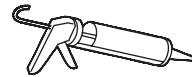
Adhesive  
Caulk



Fixing Screw



Level



Silicone  
Caulk

## SPECIFICATIONS

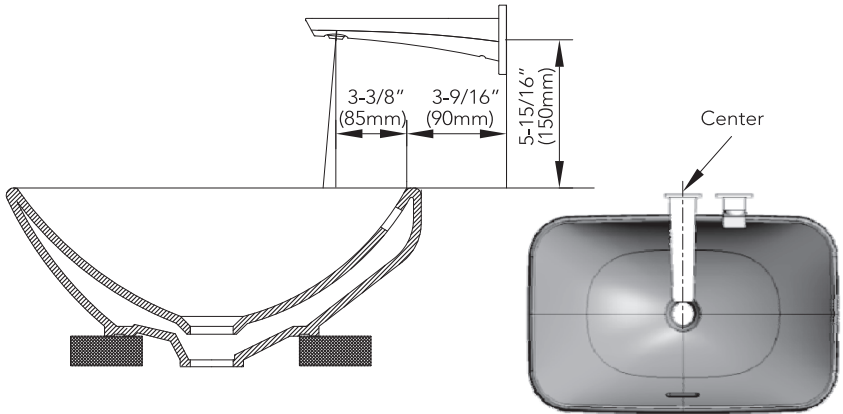
Water Supply Pressure	Minimum required: 20 psi (138 kPa) (Flowing)
	Maximum allowed: 80 psi (551 kPa)
Water Supply Connection	1/2" NPT
Ambient Temperature	32~104°F (0~40°C)
Humidity	Max. 90% RH
Flow Rate	Maximum 1.2 gallon/min (4.5 L/min)

ENGLISH

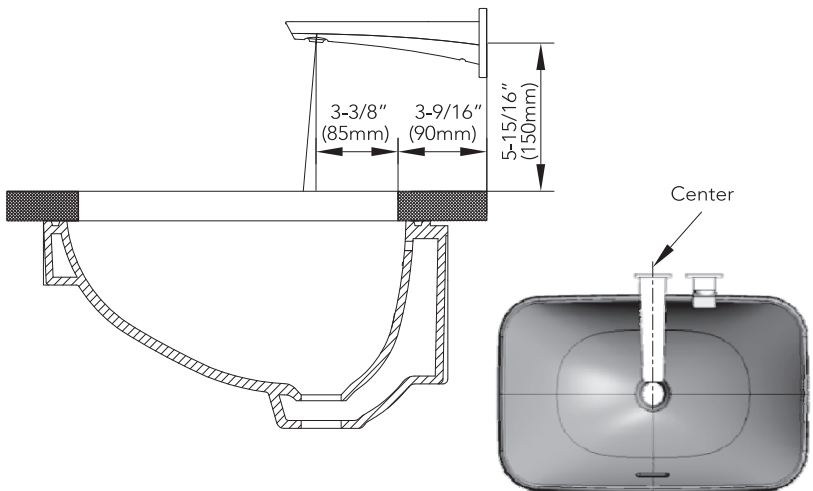
## INSTALLATION PROCEDURE

Applicable to : TLG07307U、 TLG08307U、 TLG09307U、 TLG10307U、  
TLG11307U

Countertop lavatory installation



Undercounter lavatory installation

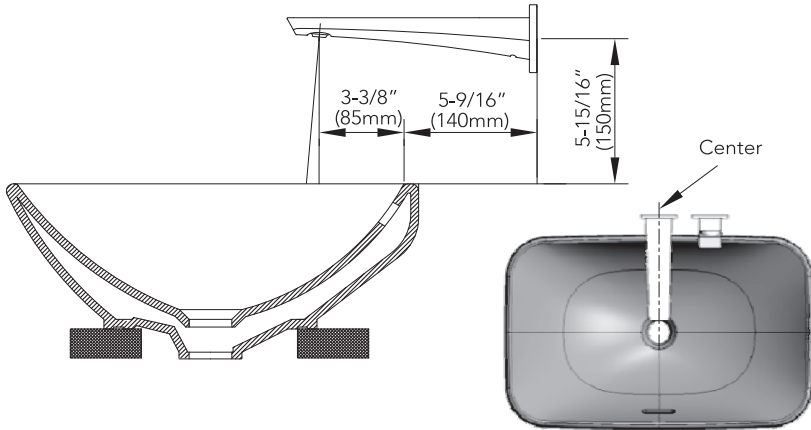


NOTE: Unit for dimensions = inches  
Dimension in ( ) is mm.

## INSTALLATION PROCEDURE

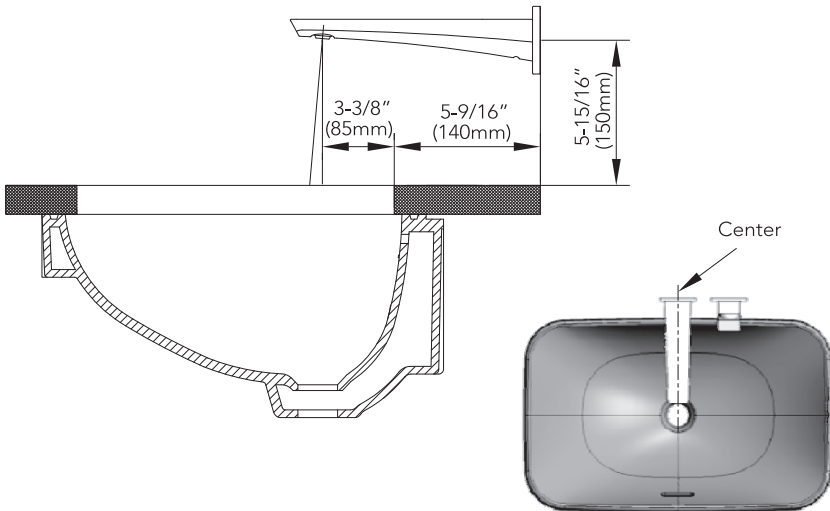
Applicable to : TLG07308U、 TLG08308U、 TLG09308U、 TLG10308U、  
TLG11308U

Countertop lavatory installation



ENGLISH

Undercounter lavatory installation



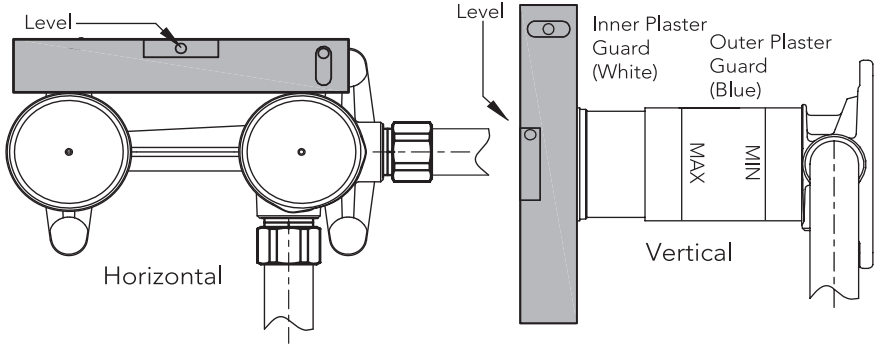
NOTE: Unit for dimensions = inches  
Dimension in ( ) is mm.

## INSTALLATION PROCEDURE

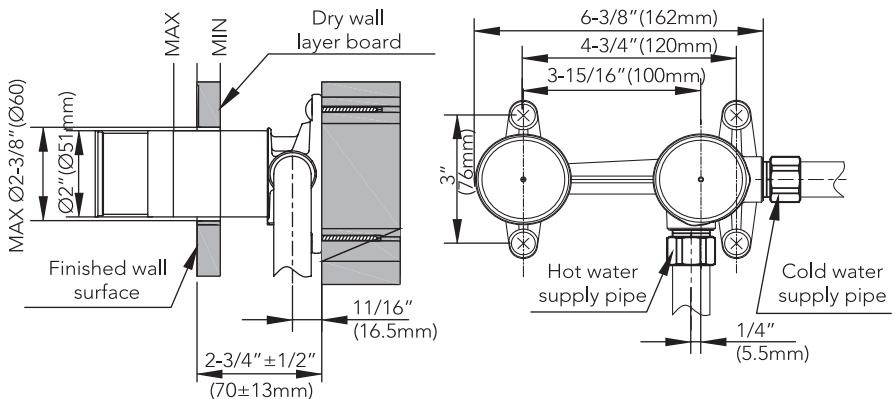
### Installation of the Main Body

1. Connect the main body of faucet to corresponding plumbing. Perforate the wall in accordance with the illustrated dimension. Otherwise, it might cause a problem when installing the faucet.

NOTE: Calibrate the wall embedded body with a level to keep it's horizontal direction and vertical direction at optimum.



### Dry wall installation

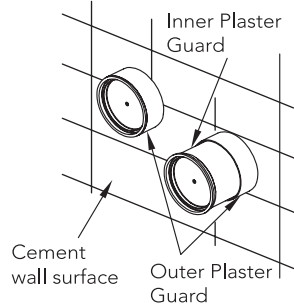


As shown in the figure, use screws (not provided) to secure the product on the wall.

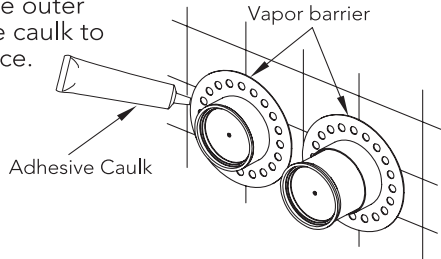
# INSTALLATION PROCEDURE

## NOTE

- When mounting the wall embedded body, do not remove the outer plaster guard or the inner plaster guard.
- Pay attention to the embedding depth of the wall embedded body to ensure that the finished wall surface is between the marks MIN and MAX on the protective plaster guard.
- Connect the inlet pipe to the wall embedded body. Make sure that each connection does not leak and then apply cement padding.

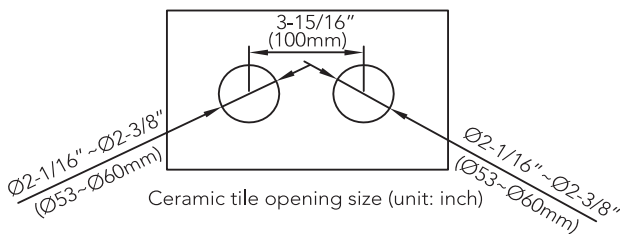
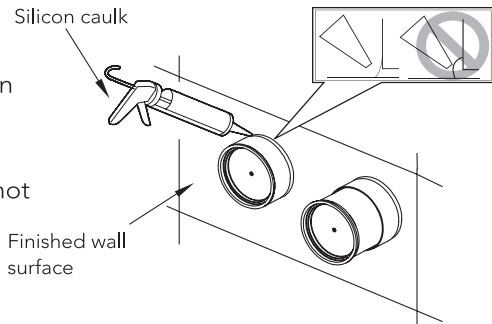


2. Get the vapor barrier through the outer plaster guard and use the adhesive caulk to paste it onto the cement wall surface.



3. After the adhesive is completely dried, fix the tile. (Ceramic tile opening size below).

When applying adhesive between the outer plaster guard and the gap on the wall, make sure it is evenly coated with silicone caulk and that the adhesive surface is not convex to the wall.



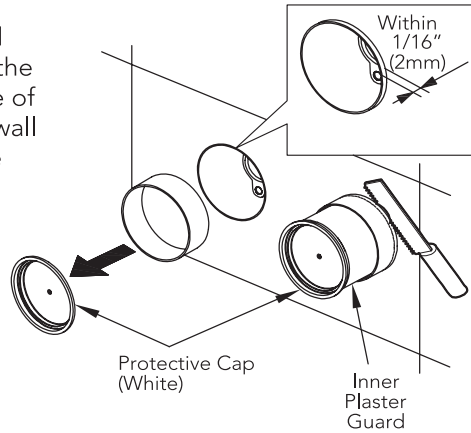
## INSTALLATION PROCEDURE

### Installation of Spout and Handle

1. Cut off the outer plaster guard with a hack saw and ensure that the interval between the raised edge of the outer plaster guard and the wall surface is within 2mm. (The edge shall not sink in the wall surface)

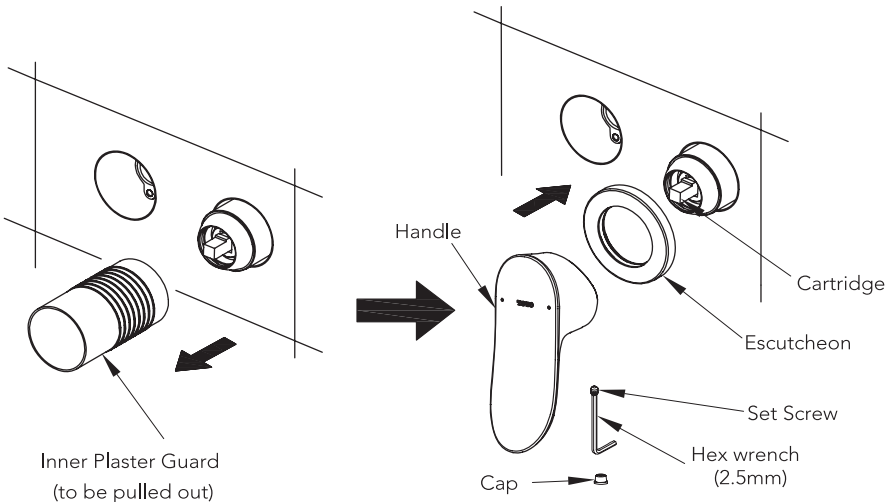
#### NOTE

- Do not hurt the inner plaster guard when cutting to avoid damaging the internal cartridge sleeve.



2. Installation of handle part:

- Pull out the inner plaster guard (Note: the inner plaster guard does not work anymore after mounting is finished).
- Cap the cartridge sleeve with the escutcheon near the wall surface. (Note: Apply a small amount of soap water on the O-Ring inside the escutcheon for lubrication in order to facilitate mounting).
- Mount the handle onto the cartridge and use the screw to fix it and mount the cap at the position of the set screw hole.



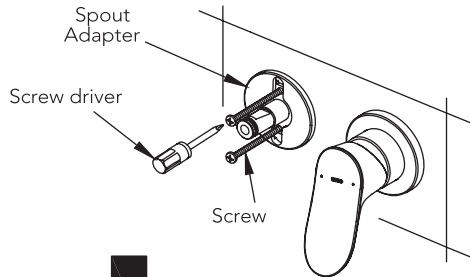


## INSTALLATION PROCEDURE

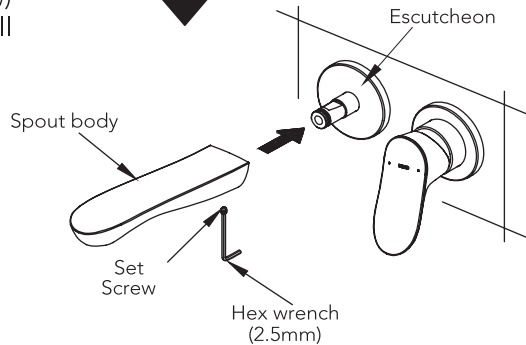
ENGLISH

### Installation of the Spout

(a) Insert the spout adapter into the valve body and secure with provided screws.



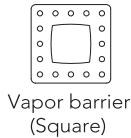
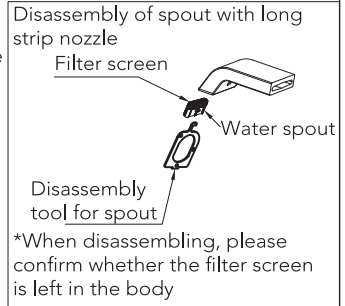
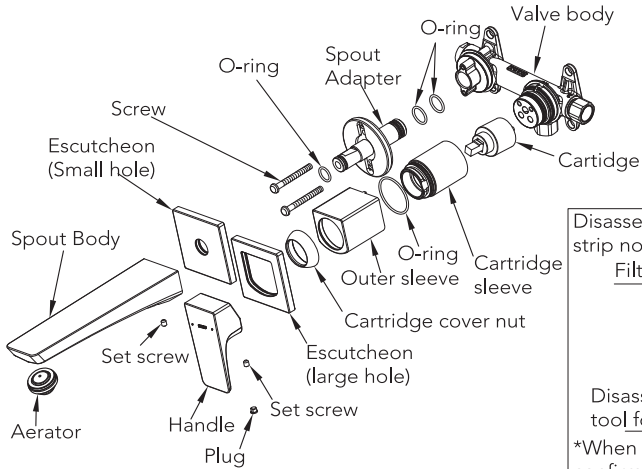
(b) Install escutcheon onto the spout adapter. Remove (unscrew) set screw from spout body. Install spout body onto the spout adapter. Align the position of the escutcheon & spout body. Secure with provided set screw.



## INCLUDED PARTS

Applicable to: TLG07307U、TLG07308U、TLG08307U、TLG08308U

Check to make sure you have the following parts indicated below:



## TOOLS YOU WILL NEED



## SPECIFICATIONS

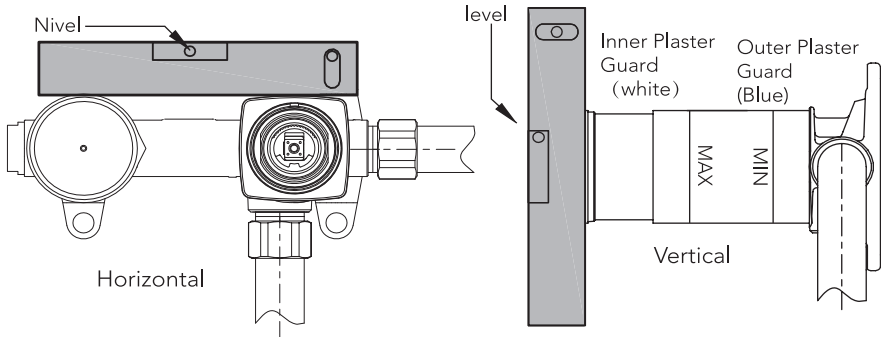
Water Supply Pressure	Minimum required: 20 psi (138 kPa) (Flowing)
	Maximum allowed: 80 psi (551 kPa)
Water Supply Connection	1/2" NPT
Ambient Temperature	32~104°F (0~40°C)
Humidity	Max. 90% RH
Flow Rate	Maximum 1.2 gallon/min (4.5 L/min)

## INSTALLATION PROCEDURE

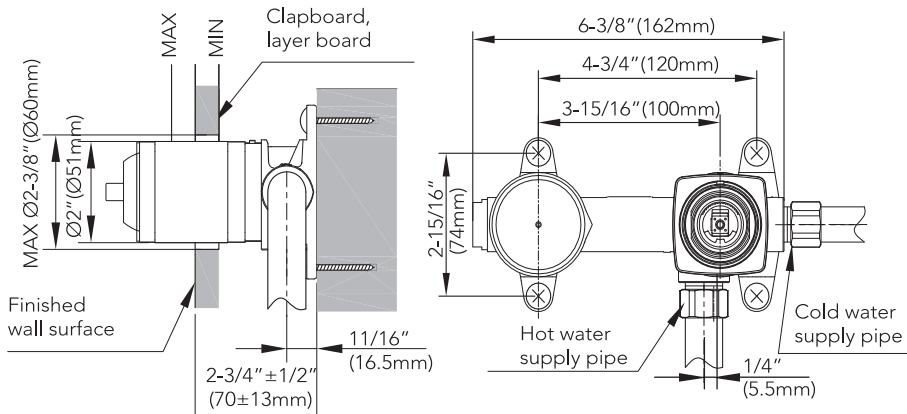
### Installation of the Main Body

1. Connect the main body of faucet to corresponding plumbing. Perforate the wall in accordance with the illustrated dimension. Otherwise, it might cause a problem when installing the faucet.

NOTE: Calibrate the wall embedded body with a level to keep it's horizontal direction and vertical direction at optimum.



### Dry wall installation



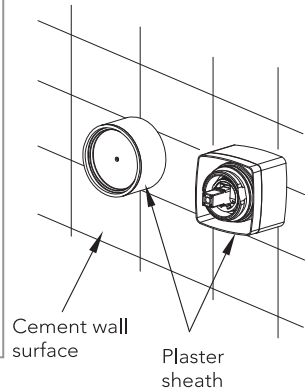
As shown in the figure, use screws (not provided) to secure the product on the wall.

## INSTALLATION PROCEDURE

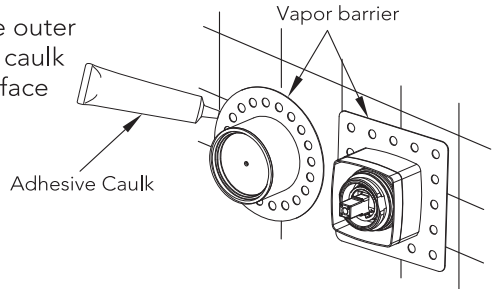
ENGLISH

### NOTE

- When mounting the wall embedded body, do not remove the outer plaster guard or the inner plaster guard.
- Pay attention to the embedding depth of the wall embedded body to ensure that the finished wall surface is between the marks MIN and MAX on the protective plaster guard.
- Connect the inlet pipe to the wall embedded body. Make sure that each connection does not leak and then apply cement padding.

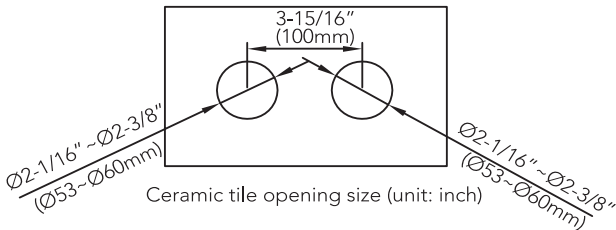
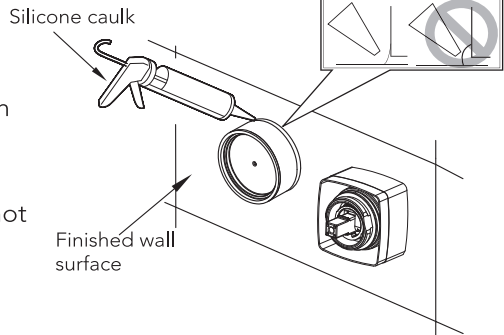


2. Get the vapor barrier through the outer plaster guard and use the adhesive caulk to paste it onto the cement wall surface



3. After the adhesive is completely dried, fix the tile. (Ceramic tile opening size below).

When applying adhesive between the outer plaster guard and the gap on the wall, make sure it is evenly coated with silicone caulk and that the adhesive surface is not convex to the wall.



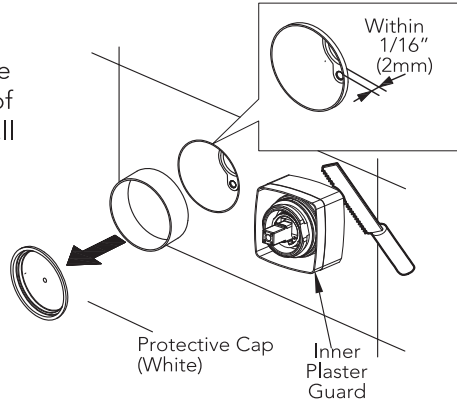
## INSTALLATION PROCEDURE

### Installation of Spout and Handle

1. Cut off the outer plaster guard with a hack saw and ensure that the interval between the raised edge of the outer plaster guard and the wall surface is within 2mm. (The edge shall not sink in the wall surface)

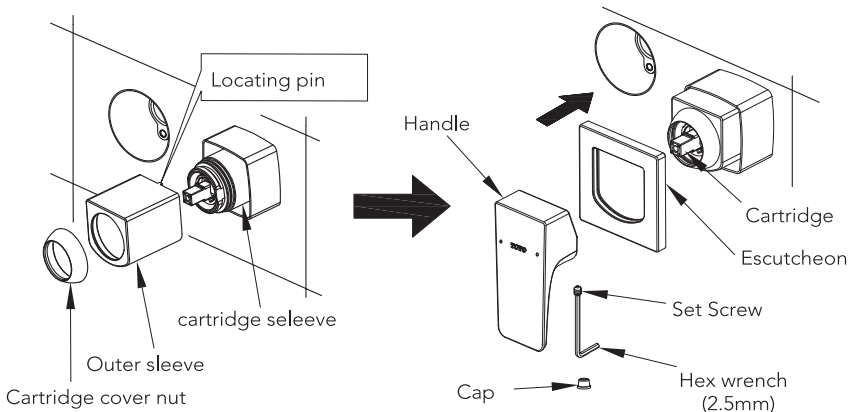
#### NOTE

- Do not hurt the inner plaster guard when cutting to avoid damaging the internal cartridge sleeve.



2. Installation of handle part:

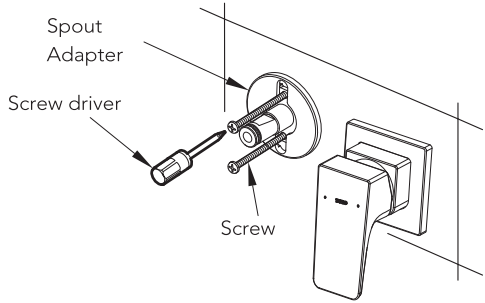
- Pull out the inner plaster guard (Note: the inner plaster guard does not work anymore after mounting is finished).
- Cap the cartridge sleeve with the escutcheon near the wall surface. (Note: Apply a small amount of soap water on the O-Ring inside the escutcheon for lubrication in order to facilitate mounting).
- Mount the handle onto the cartridge and use the screw to fix it and mount the cap at the position of the set screw hole.



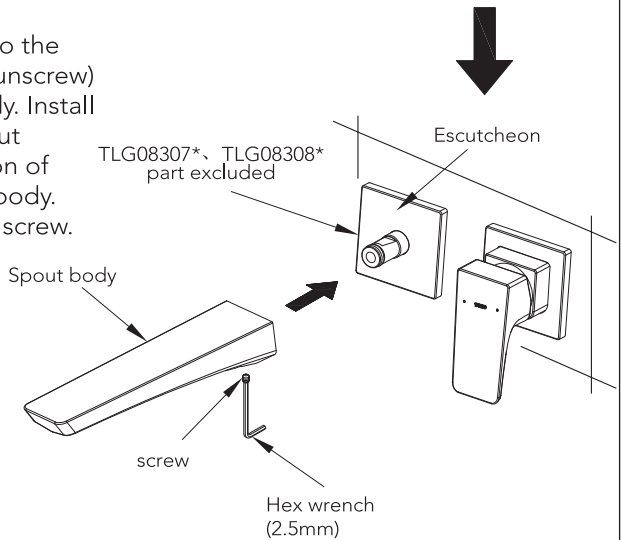
## INSTALLATION PROCEDURE

### Installation of the Spout

(a) Insert the spout adapter into the valve body and secure with provided screws.



(b) Install escutcheon onto the spout adapter. Remove (unscrew) set screw from spout body. Install spout body onto the spout adapter. Align the position of the escutcheon & spout body. Secure with provided set screw.



## CARE AND CLEANING

Clean the parts regularly to prevent the accumulation of dirt and lime-scale. For daily cleaning, use a neutral cleaner.

Acids are necessary ingredients of cleaning materials for removing lime.

However, please pay attention to the following points when cleaning fittings:

- Only use cleaning materials which are explicitly recommended for this type of application.
- Never use cleaning materials which contain hydrochloric, formic or acetic acid, as they may cause considerable damage.
- Do not use phosphoric acid as it can also cause damage.
- Never use cleaning materials or appliances with an abrasive effect, such as cleaning powders, sponges or microfiber cloths.
- Please follow the cleaning material manufacturer's instructions.
  
- When using spray cleaners, spray first onto a soft cloth or sponge. Never spray directly onto the fittings, as drops could enter openings and gaps, which can then cause damage.
- After cleaning, rinse thoroughly with clean water to remove any cleaner residue.
- Components with damaged surfaces must be exchanged, otherwise this can cause an injury. Damage caused by improper treatment will not be covered by our warranty.

## MAINTENANCE

Check your faucet at least once a month for the following potential problems and to do the following maintenance procedures:

### **Inspect for Leakage**

- Check all water connections for signs of leakage.

### **Looseness of the product**

- Check for any parts that seem abnormal such as being loose as compared when you first began using the product.

### **Tighten the Spout and Handle Assembly**

- If the spout is loose, tighten the hexagonal nut underneath the spout.

If you continue to use the product with loose piping, load is applied to the pipe(s) and may result in water leakage.

If you leave any abnormality like looseness unfixed, part(s) may break or plated surfaces may crack whereby injuring you.

If you find a loose part, remove the cap and retighten the screw that anchors the main body. In case the looseness cannot be repaired, ask your dealer or seller for repairs (subject to billing).

# WARRANTY

## TOTO U.S.A., INC. LIMITED LIFETIME WARRANTY

1. TOTO warrants its residential faucets and bathroom accessories ("Product") to be free from defects in materials and workmanship during normal use when properly installed and serviced, for the lifetime of the Product from date of purchase. This limited warranty is extended only to the ORIGINAL PURCHASER of the Product and is not transferable to any third party, including but not limited to any subsequent purchaser or owner of the Product. This warranty applies only to TOTO Product purchased and installed in North, Central and South America.
2. TOTO's obligations under this warranty are limited to repair, replacement or other appropriate adjustment, at TOTO's option, of the Product or parts found to be defective in normal use, provided that such Product was properly installed, used and serviced in accordance with instructions. TOTO reserves the right to make such inspections as may be necessary in order to determine the cause of the defect. TOTO will not charge for labor or parts in connection with warranty repairs or replacements. TOTO is not responsible for the cost of removal, return and/or reinstallation of the Product.
3. This warranty does not apply to the following items:
- a. Damage or loss sustained in a natural calamity such as fire, earthquake, flood, thunder, electrical storm, etc.
  - b. Damage or loss resulting from any accident, unreasonable use, misuse, abuse, negligence, or improper care, cleaning, or maintenance of the Product.
  - c. Damage or loss resulting from sediments or foreign matter contained in a water system.
  - d. Damage or loss resulting from improper installation or from installation of the Product in a harsh and/or hazardous environment, or improper removal, repair or modification of the Product.
  - e. Damage or loss resulting from electrical surges or lightning strikes or other acts which are not the fault of TOTO or which the Product is not specified to tolerate.
  - f. Damage or loss resulting from normal and customary wear and tear, such as gloss reduction, scratching or fading over time due to use, cleaning practices or water or atmospheric conditions, including but not limited to, the use of bleach, alkali, acid cleaners, dry (powder) cleaners or any other abrasive cleaners or the use of metal or nylon scrubbers.
4. In order for this limited warranty to be valid, proof of purchase is required. TOTO encourages warranty registration upon purchase to create a record of Product ownership at <http://www.totousa.com>. Product registration is completely voluntary and failure to register will not diminish your limited warranty rights.
5. If the Product is used commercially or is installed outside of North, Central or South America, TOTO warrants the Product to be free from defects in materials and workmanship during normal use for one (1) year from the date of installation of the Product, and all other terms of this warranty shall be applicable except the duration of the warranty.
6. THIS WARRANTY GIVES YOU SPECIFIC LEGAL RIGHTS. YOU MAY HAVE OTHER RIGHTS WHICH VARY FROM STATE TO STATE, PROVINCE TO PROVINCE OR COUNTRY TO COUNTRY.
7. To obtain warranty repair service under this warranty, you must take the Product or deliver it prepaid to a TOTO service facility together with proof of purchase (original sales receipt) and a letter stating the problem, or contact a TOTO distributor or products service contractor, or write directly to TOTO U.S.A., INC., 1155 Southern Road, Morrow, GA 30260 (888) 295 8134 or (678) 466-1300, if outside the U.S.A. If, because of the size of the Product or nature of the defect, the Product cannot be returned to TOTO, receipt by TOTO of written notice of the defect together with proof of purchase (original sales receipt) shall constitute delivery. In such case, TOTO may choose to repair the Product at the purchaser's location or pay to transport the Product to a service facility.

THIS WRITTEN WARRANTY IS THE ONLY WARRANTY MADE BY TOTO. REPAIR, REPLACEMENT OR OTHER APPROPRIATE ADJUSTMENT AS PROVIDED UNDER THIS WARRANTY SHALL BE THE EXCLUSIVE REMEDY AVAILABLE TO THE ORIGINAL PURCHASER. TOTO SHALL NOT BE RESPONSIBLE FOR LOSS OF THE PRODUCT OR FOR OTHER INCIDENTAL, SPECIAL OR CONSEQUENTIAL DAMAGES OR EXPENSES INCURRED BY THE ORIGINAL PURCHASER, OR FOR LABOR OR OTHER COSTS DUE TO INSTALLATION OR REMOVAL, OR COSTS OF REPAIRS BY OTHERS, OR FOR ANY OTHER EXPENSE NOT SPECIFICALLY STATED ABOVE. IN NO EVENT WILL TOTO'S RESPONSIBILITY EXCEED THE PURCHASE PRICE OF THE PRODUCT. EXCEPT TO THE EXTENT PROHIBITED BY APPLICABLE LAW, ANY IMPLIED WARRANTIES, INCLUDING THAT OF MERCHANTABILITY OR FITNESS FOR USE OR FOR A PARTICULAR PURPOSE, ARE EXPRESSLY DISCLAIMED. SOME STATES DO NOT ALLOW LIMITATIONS ON HOW LONG AN IMPLIED WARRANTY LASTS, OR THE EXCLUSION OR LIMITATION OF INCIDENTAL OR CONSEQUENTIAL DAMAGES, SO THE ABOVE LIMITATION AND EXCLUSION MAY NOT APPLY TO YOU.



## TABLA DE CONTENIDO

¡Gracias por elegir TOTO!.....	17	Procedimiento de Instalación.....	19
Advertencias.....	17	Cuidado y Limpieza.....	30
Antes de la Instalación.....	17	Mantenimiento.....	30
Piezas Incluidas.....	18	Garantía.....	31
Herramientas que va a necesitar.	18	Bosquejo.....	62
Especificaciones.....	18		

## ¡GRACIAS POR ELEGIR TOTO!

La misión de TOTO es proporcionar al mundo estilos de vida saludables, higiénicos y más cómodos. Diseñamos cada producto con el equilibrio de forma y función como principio rector. Felicidades por tu elección.

## ADVERTENCIAS

Para un funcionamiento seguro del grifo, tenga en cuenta lo siguiente:

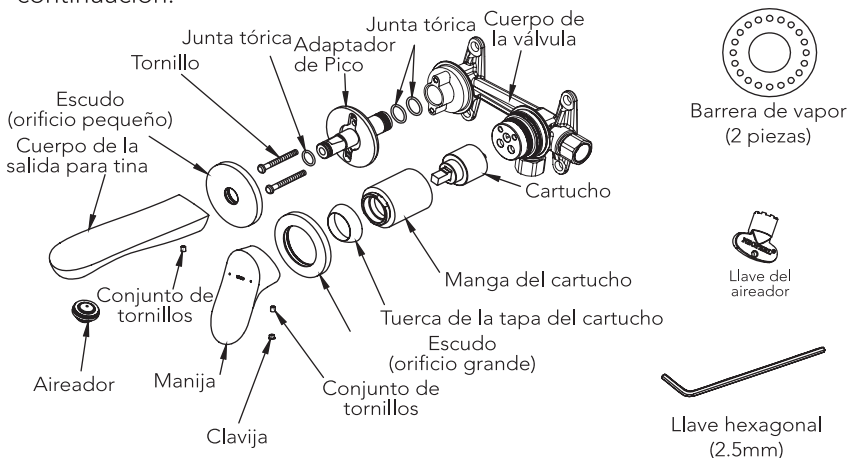
- Presión operacional:
  - Presión mínima ..... 20 psi (138 kPa), dinámica
  - Presión máxima ..... 80 psi (551 kPa), estático
- No use el producto a una temperatura ambiente inferior a 32° F (0° C)

## ANTES DE LA INSTALACIÓN

- Observe todos los códigos de plomería locales.
- Antes de instalar el grifo, asegúrese de enjuagar a fondo los tubos de suministro de suciedad y residuos.
- Asegúrese de que el suministro de agua esté cerrado en la válvula de cierre.
- Lea estas instrucciones cuidadosamente para asegurar una instalación correcta.
- TOTO se reserva el derecho de actualizar el diseño del producto sin previo aviso.

## PIEZAS INCLUIDAS

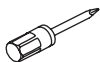
Aplicable a : TLG02311U, TLG03308U, TLG09307U, TLG09308U, TLG10307U, TLG10308U, TLG11307U, TLG11308U  
 Verifique para asegurarse de tener las siguientes partes indicadas a continuación:



## HERRAMIENTAS QUE VA A NECESITAR



Sierra



Destornillador



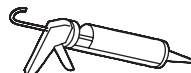
Masilla adhesiva



Tornillo fijador



Nivel



Masilla de Silicona

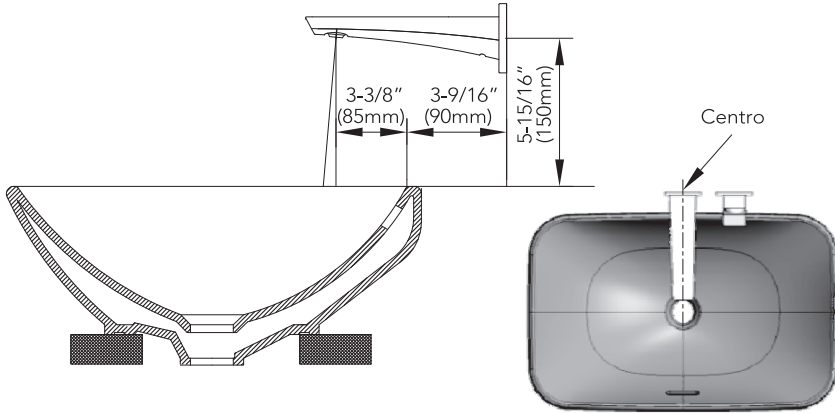
## ESPECIFICACIONES

Presión de suministro de agua	Mínimo requerido: 20 psi (138 kPa) (corriente)
	Máximo permitido: 80 psi (551 kPa)
Conexión de suministro de agua	1/2" NPT
Temperatura ambiente	32~104°F (0~40°C)
Humedad	Max. 90% RH
Tasa de flujo	Maximo 1.2 gallon/min (4.5 L/min)

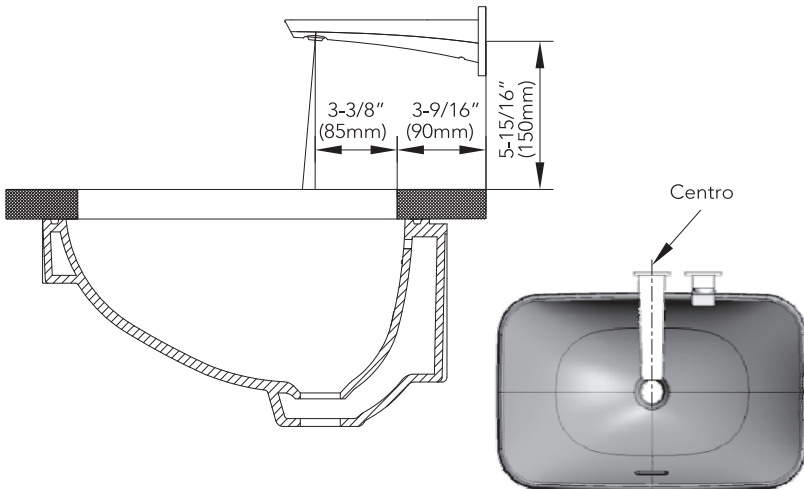
## PROCEDIMIENTO DE INSTALACIÓN

Aplicable a : TLG07307U、TLG08307U、TLG09307U、TLG10307U、  
TLG11307U

Montaje de lavabo con encimera



Montaje de lavabo bajo cubierta

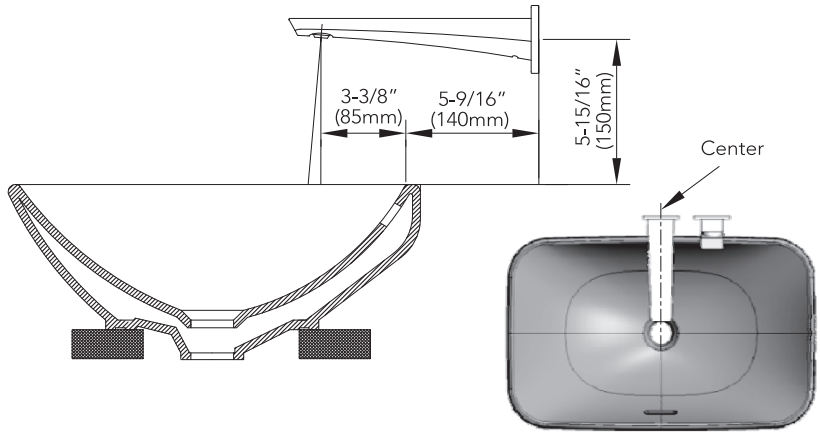


NOTA: Unidad para dimensiones = pulgadas  
La dimensión en ( ) es mm.

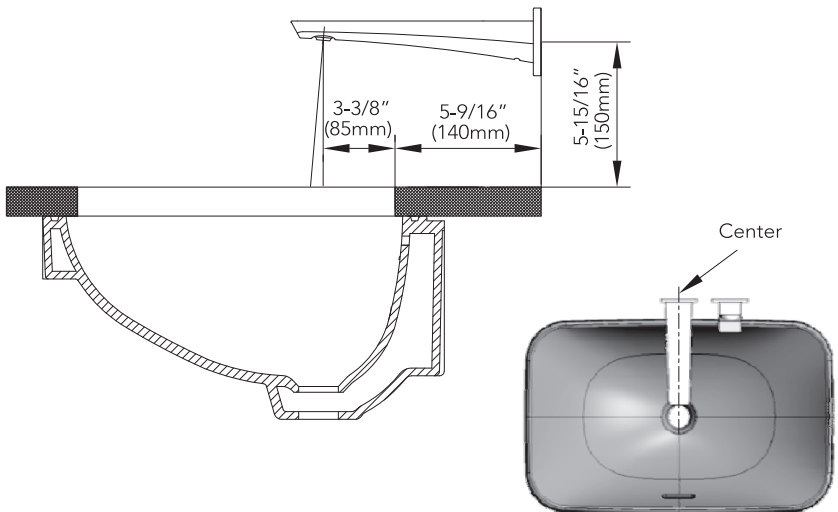
## PROCEDIMIENTO DE INSTALACIÓN

Aplicable a : TLG07308U、TLG08308U、TLG09308U、TLG10308U、  
TLG11308U

Montaje de lavabo con encimera



Montaje de lavabo bajo cubierta



NOTA: Unidad para dimensiones = pulgadas  
La dimensión en ( ) es mm.

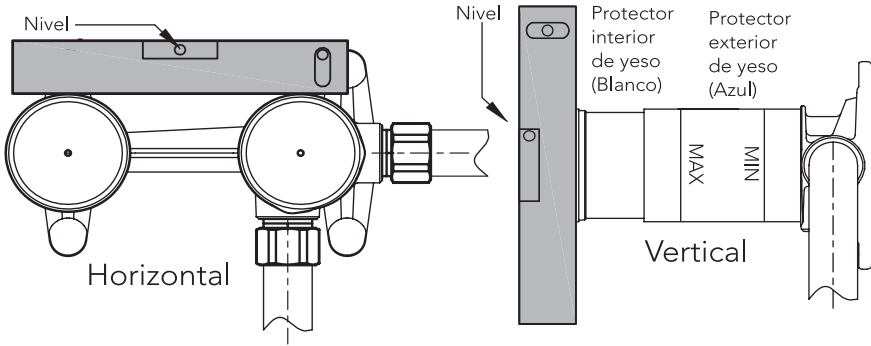
# PROCEDIMIENTO DE INSTALACIÓN

## Montaje del Cuerpo Principal

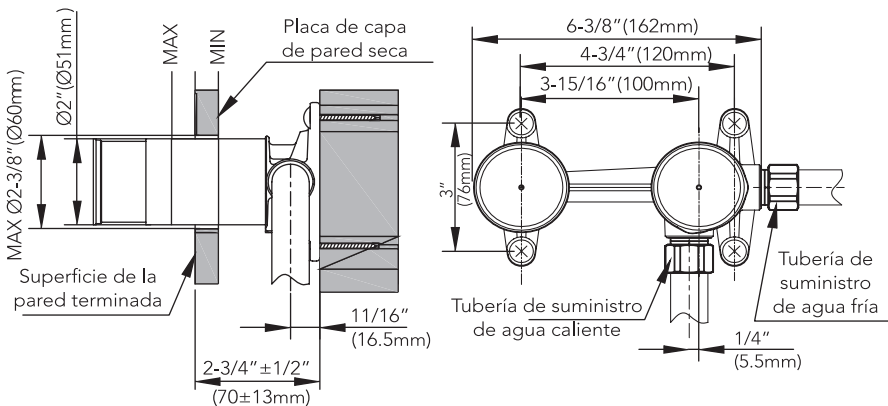
1. Conecte el cuerpo principal de la llave a la tubería correspondiente. Perfore la pared acorde a la dimensión ilustrada. De otra manera, podría tener problemas al instalar la llave.

NOTA: Calibre el cuerpo incrustado en la pared con un nivel para mantener su dirección horizontal y vertical en óptimas condiciones.

ESPAÑOL



## Montaje en pared seca

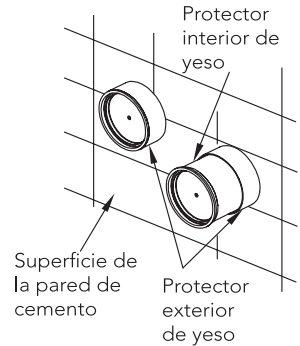


Como se muestra en la figura, use los tornillos (no incluidos) para fijar el producto en la pared.

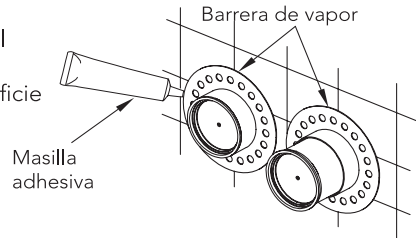
## PROCEDIMIENTO DE INSTALACIÓN

### NOTA

- Al montar el cuerpo empotrado a la pared, no elimine la cubierta de resina ni la cubierta interna.
- Preste atención a la profundidad de empotramiento del cuerpo para asegurar que la superficie de la pared terminada esté dentro de las marcas de MÍNIMO y MÁXIMO de la cubierta protectora.
- Conecte la tubería de entrada a la pared del cuerpo empotrado. Asegúrese de que ninguna de las conexiones tenga fugas y luego aplique relleno de cemento.

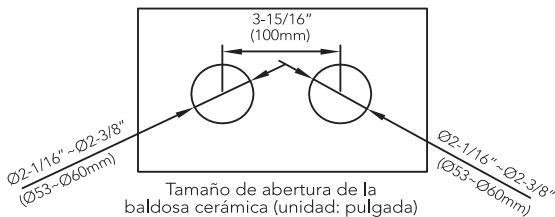
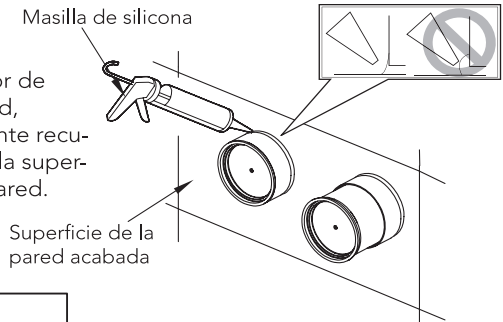


2. Coloque la barrera de vapor a través del protector exterior de yeso y use la masilla adhesiva para pegarla a la pared de superficie de cemento.



3. Luego de que el adhesivo esté seco, fije la baldosa. (Tamaño de la abertura de la baldosa cerámica a continuación).

Al aplicar adhesivo entre el protector de yeso externo y el espacio en la pared, asegúrese de que esté uniformemente recubierto con masilla de silicona y que la superficie adhesiva no sea convexa a la pared.



Tamaño de abertura de la baldosa cerámica (unidad: pulgada)

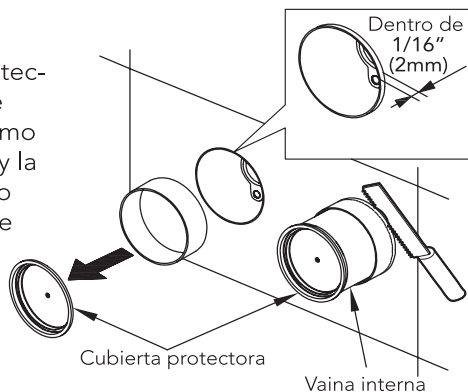
## PROCEDIMIENTO DE INSTALACIÓN

### Montaje de salida para tina y manija

1. Corte la cubierta de resina protectora con una cuchilla y asegúrese de que el intervalo entre el extremo elevado de la cubierta de resina y la superficie de la pared esté dentro de los 2 mm. (El extremo no debe hundirse en la superficie de la pared)

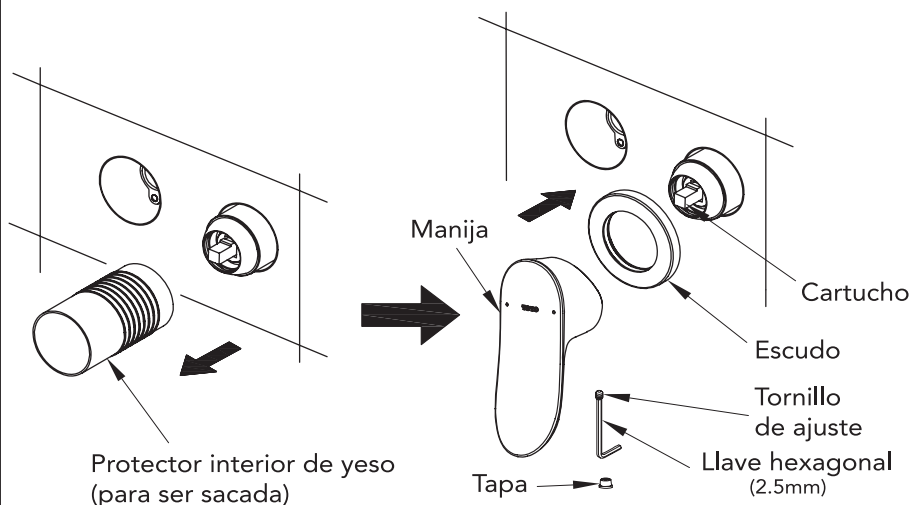
#### NOTA

- No dañe la cubierta interna al cortarla para evitar daños a la cubierta del cartucho.



2. Montaje de la parte de la manija:

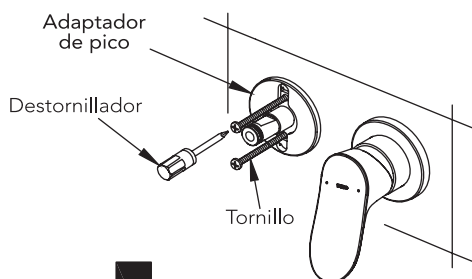
- a. Retire la cubierta interna (Nota: la cubierta interna deja de funcionar cuando se termina el montaje).
- b. Tape la cubierta del cartucho con la escudo cerca de la superficie de la pared. (Nota: aplique una pequeña cantidad de agua con jabón en la junta tórica de la escudo para que se lubrique y facilite el montaje).
- c. Monte la manija en el cartucho y use el tornillo para fijarla y monte la tapa de indicación en la posición del orificio del tornillo.



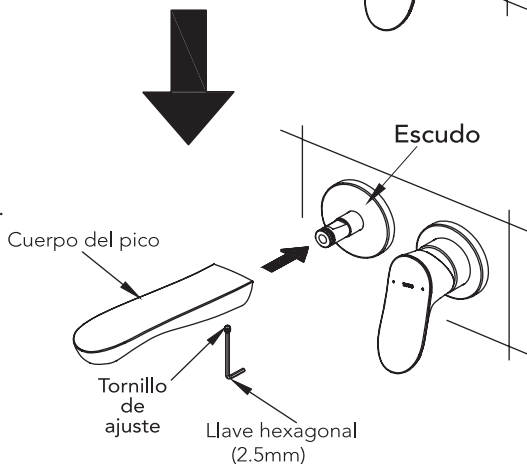
## PROCEDIMIENTO DE INSTALACIÓN

### Montaje de la Salida para Tina

(a) inserte el adaptador del surtidor en el cuerpo de la válvula y asegúrelo con los tornillos provistos.



(b) Instale el escudo en el adaptador del surtidor. Retire (desenrosque) el tornillo de fijación del cuerpo del surtidor. Instale el cuerpo del surtidor en el adaptador del surtidor. Alinee la posición del escudo y el cuerpo del grifo. Asegure con el tornillo de fijación proporcionado.

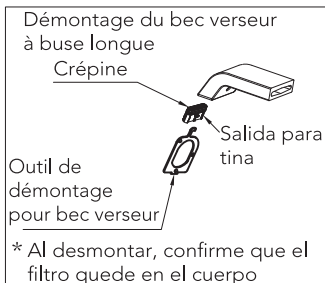
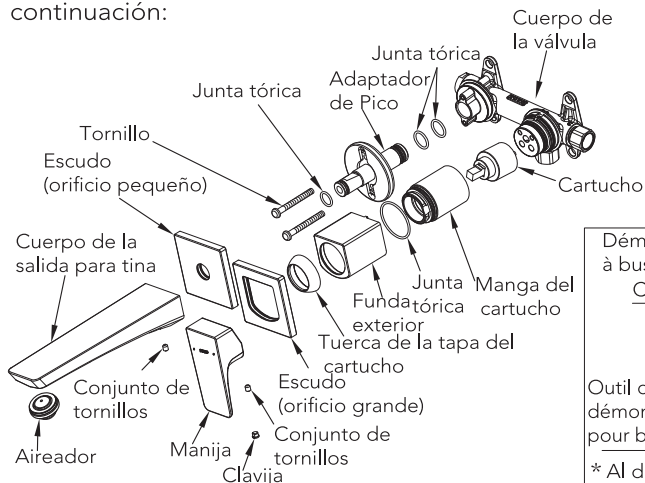




## PIEZAS INCLUIDAS

Aplicable a : TLG07307U, TLG07308U, TLG08307U, TLG08308U

Verifique para asegurarse de tener las siguientes partes indicadas a continuación:



Barrera de vapor (Redondo)



Barrera de vapor (Cuadrado)

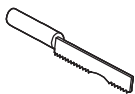


Llave del aireador

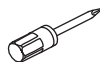


Llave hexagonal (2.5mm)

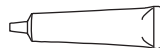
## HERRAMIENTAS QUE VA A NECESITAR



Sierra



Destornillador



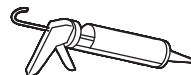
Masilla adhesiva



Tornillo fijador



Nivel



Masilla de Silicona

## ESPECIFICACIONES

Presión de suministro de agua	Mínimo requerido: 20 psi (138 kPa) (corriente)
	Máximo permitido: 80 psi (551 kPa)
Conexión de suministro de agua	1/2" NPT
Temperatura ambiente	32~104°F (0~40°C)
Humedad	Max. 90% RH
Tasa de flujo	Maximo 1.2 gallon/min (4.5 L/min)

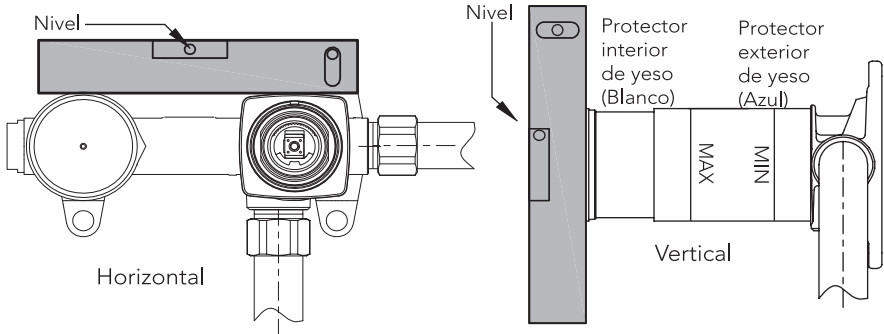
# PROCEDIMIENTO DE INSTALACIÓN

ESPAÑOL

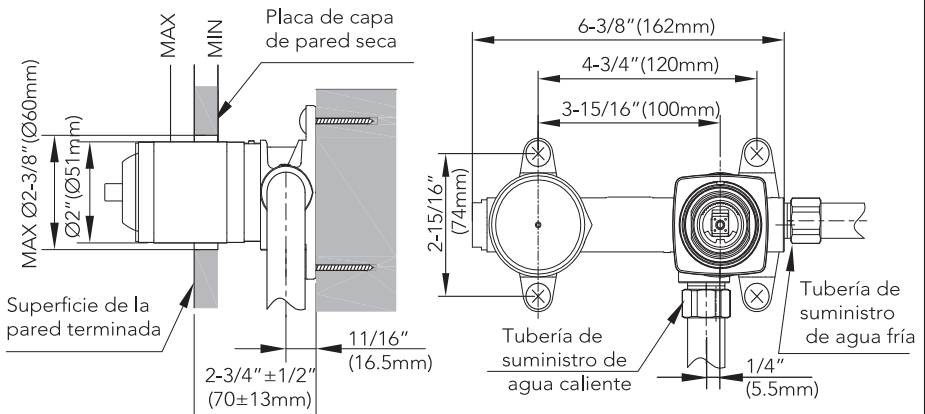
## Montaje del Cuerpo Principal

1. Conecte el cuerpo principal de la llave a la tubería correspondiente. Perfore la pared acorde a la dimensión ilustrada. De otra manera, podría tener problemas al instalar la llave.

NOTA: Calibre el cuerpo incrustado en la pared con un nivel para mantener su dirección horizontal y vertical en óptimas condiciones



## Montaje en pared seca

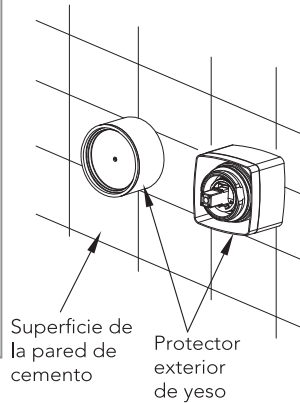


Como se muestra en la figura, use los tornillos (no incluidos) para fijar el producto en la pared.

# PROCEDIMIENTO DE INSTALACIÓN

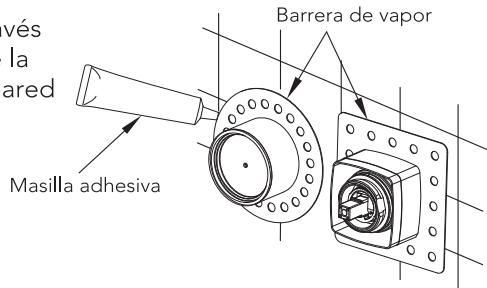
## NOTE

- Al montar el cuerpo empotrado a la pared, no elimine la cubierta de resina ni la cubierta interna.
- Preste atención a la profundidad de empotramiento del cuerpo para asegurar que la superficie de la pared terminada esté dentro de las marcas de **MÍNIMO** y **MÁXIMO** de la cubierta protectora.
- Conecte la tubería de entrada a la pared del cuerpo empotrado. Asegúrese de que ninguna de las conexiones tenga fugas y luego aplique relleno de cemento.



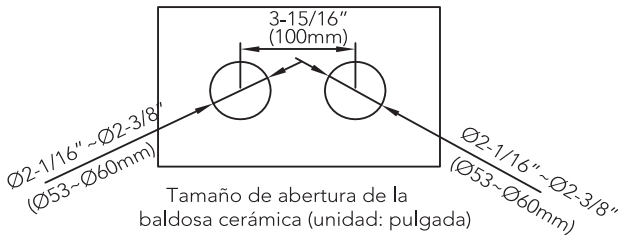
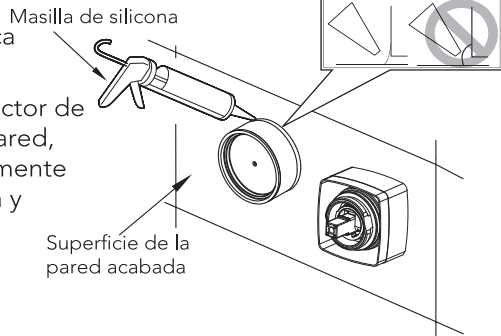
ESPAÑOL

2. Coloque la barrera de vapor a través del protector exterior de yeso y use la masilla adhesiva para pegarla a la pared de superficie de cemento.



3. Luego de que el adhesivo esté seco, fije la baldosa. (Tamaño de la abertura de la baldosa cerámica a continuación).

Al aplicar adhesivo entre el protector de yeso externo y el espacio en la pared, asegúrese de que esté uniformemente recubierto con masilla de silicona y que la superficie adhesiva no sea convexa a la pared.



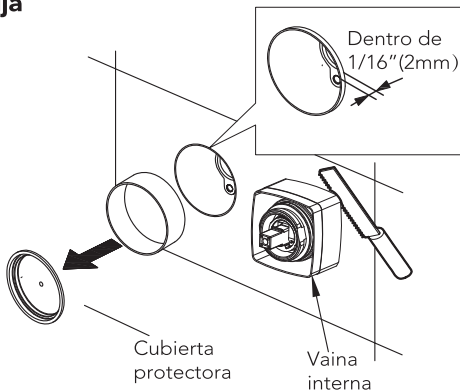
## PROCEDIMIENTO DE INSTALACIÓN

### Montaje de salida para tina y manija

1. Corte la cubierta de resina protectora con una cuchilla y asegúrese de que el intervalo entre el extremo elevado de la cubierta de resina y la superficie de la pared esté dentro de los 2 mm. (El extremo no debe hundirse en la superficie de la pared)

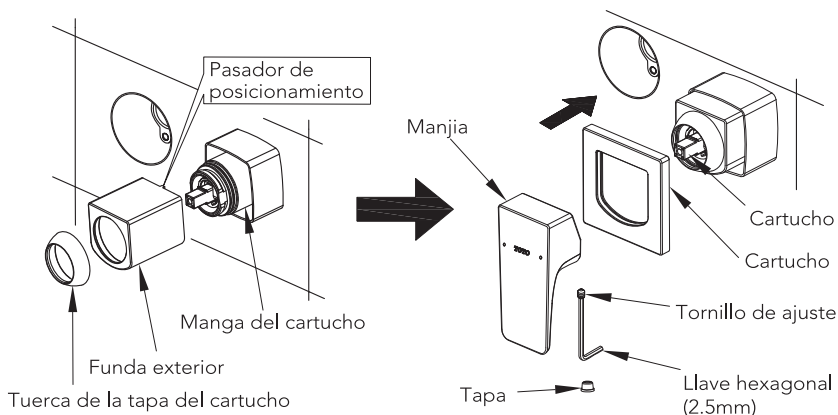
#### NOTE

- No dañe la cubierta interna al cortarla para evitar daños a la cubierta del cartucho.



2. Montaje de la parte de la manija:

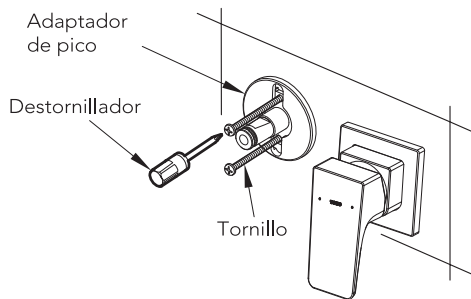
- Retire la cubierta interna (Nota: la cubierta interna deja de funcionar cuando se termina el montaje).
- Tapé la cubierta del cartucho con la escudo cerca de la superficie de la pared. (Nota: aplique una pequeña cantidad de agua con jabón en la junta tórica de la escudo para que se lubrique y facilite el montaje).
- Monte la manija en el cartucho y use el tornillo para fijarla y monte la tapa de indicación en la posición del orificio del tornillo.



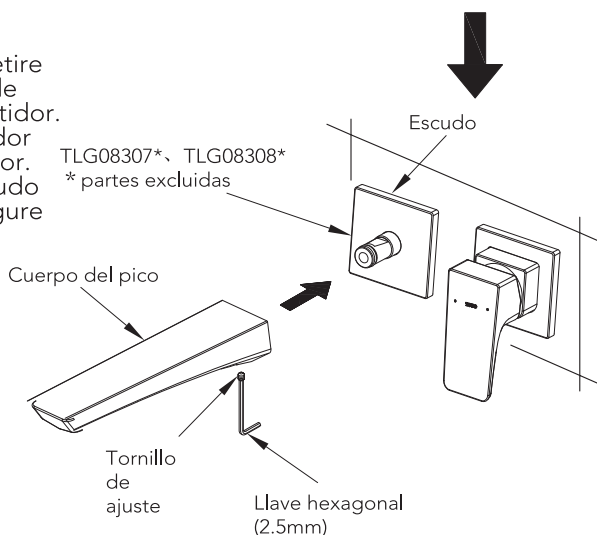
## PROCEDIMIENTO DE INSTALACIÓN

### Montaje de la Salida para Tina

(a) inserte el adaptador del surtidor en el cuerpo de la válvula y asegúrelo con los tornillos provistos.



(b) Instale el escudo en el adaptador del surtidor. Retire (desenrosque) el tornillo de fijación del cuerpo del surtidor. Instale el cuerpo del surtidor en el adaptador del surtidor. Alinee la posición del escudo y el cuerpo del grifo. Asegure con el tornillo de fijación proporcionado.



ESPAÑOL

## CUIDADO Y LIMPIEZA

Limpie las partes con regularidad para evitar la acumulación de suciedad y sarro calcáreo.

Para la limpieza diaria, use un limpiador neutro.

Los ácidos son ingredientes necesarios de los materiales de limpieza para eliminar el sarro. Sin embargo, preste atención a los siguientes puntos al limpiar los accesorios:

- Solo use materiales de limpieza explícitamente recomendados para este tipo de aplicación.
- Nunca use materiales de limpieza que contengan ácido hidrolórico, fórmico o acético, ya que pueden causar daños significativos.
- No use ácido fosfórico ya que también puede causar daños.
- Nunca use materiales o artículos de limpieza que tengan un efecto abrasivo, como polvos de limpieza, esponjas o trapos de microfibra.
- Siga las instrucciones de materiales de limpieza del fabricante.
- Al usar limpiadores en aerosol, aplique el aerosol primero a un trapo o una esponja. Nunca aplique el aerosol directamente en los accesorios, ya que las gotas pueden ingresar en las aberturas y brechas y causar daños.
- Luego de limpiar, enjuague bien con agua limpia para quitar todos los residuos de los productos de limpieza.
- Los componentes con superficies dañadas deben cambiarse o pueden causar lesiones. Nuestra garantía no cubrirá los daños causados por tratamientos no adecuados.

## MANTENIMIENTO

Inspeccione su llave al menos una vez al mes para verificar que no tenga los siguientes problemas y para realizar los siguientes procedimientos de mantenimiento:

### **Inspeccione las fugas**

- Controle todas las conexiones de agua para verificar que no tengan fugas.

### **Fijación del producto**

- Controle las partes que no parecen estar normales por estar sueltas en comparación con la primera vez que usó el producto.

### **Ajuste la salida para tina y el ensamblaje de la manija**

- Si la salida para tina está suelta, ajuste la tuerca hexagonal debajo de la salida.

Si continúa usando el producto con la tubería suelta, se aplica carga a las tuberías y puede causar una fuga de agua.

Si deja alguna anomalía como partes sueltas o no fijadas, estas pueden romperse o las superficies cromadas pueden rajarse y lastimarlo.

Si encuentra una parte suelta, quite la tapa y vuelva a ajustar el tornillo que sujeta el cuerpo principal. En caso de que no se pueda reparar la soldadura, pida a su distribuidor o vendedor que lo repare (sujeto a costos).

# GARANTÍA

## TOTO U.S.A., INC. GARANTÍA LIMITADA DE POR VIDA

ESPAÑOL

1. TOTO garantiza que sus grifos residenciales y accesorios de baño ("Producto") no presentan defectos en sus materiales ni de fabricación durante su uso normal cuando son instalados y mantenidos adecuadamente, de por vida para el Producto a partir de la fecha de compra. Esta garantía limitada es válida solamente para el COMPRA DOR ORIGINAL del Producto y no es transferible a una tercera persona, incluyendo, pero sin limitarse a, cualquier comprador o propietario subsecuente del Producto. Esta garantía aplica solamente al Producto TOTO comprado e instalado en América del Norte, Central, y del Sur.
2. Las obligaciones de TOTO bajo esta garantía se limitan a la reparación, cambio o cualquier otro ajuste, a petición de TOTO, del Producto o partes que resulten defectuosas en su uso normal, siempre que dicho Producto haya sido instalado, utilizado y mantenido de acuerdo con las instrucciones. TOTO se reserva el derecho de hacer tantas inspecciones como sean necesarias para determinar la causa del defecto. TOTO no cobrará por la mano de obra o partes relacionadas con las reparaciones o cambios garantizados. TOTO no es responsable por el costo de la remoción, devolución y/o reinstalación del Producto.
3. Esta garantía no aplica en los siguientes casos:
  - a. Daño o pérdida ocurrida en un desastre natural, tal como: incendio, sismo, inundación, relámpago, tormenta eléctrica, etc.
  - b. Daño o pérdida resultado de cualquier accidente, uso no razonable, mal uso, abuso, negligencia o cuidado, limpieza o mantenimiento inadecuado del Producto, incluyendo el uso de un agente limpiador abrasivo o el uso de cualquier otro producto de limpieza de manera inconsistente con las instrucciones del Producto.
  - c. Daño o pérdida causada por los sedimentos o material extraña contenida en un sistema de agua.
  - d. Daño o pérdida causada por una mala instalación o por la instalación del Producto en un ambiente duro y/o peligroso, o una remoción, reparación o modificación inadecuada del Producto.
  - e. Daño o pérdida causada por sobrecargas eléctricas o rayos u otros actos que no sean responsabilidad de TOTO o que el Producto no esté especificado para tolerar.
  - f. Daño o pérdida causada por el uso normal y personalizado, tal como reducción del brillo, rayado o pérdida de color en el tiempo debido al uso, prácticas de limpieza o condiciones del agua o atmosféricas.
4. Para que esta garantía limitada sea válida, prueba de compra es necesaria. TOTO anima el registro de la garantía sobre compra para cree un archivo de la propiedad del producto en <http://www.totousa.com>. El registro del producto es totalmente voluntario y la falta a registrar no disminuirá sus derechos de garantía limitada.
5. Si el Si el producto es utilizado comercialmente o es instalado fuera de América del Norte, Central o del Sur, TOTO garantiza que el producto no presenta defectos en sus materiales ni de fabricación durante su uso normal por un periodo de un (1) año a partir de la fecha de instalación del Producto, y todos los otros términos de esta garantía deberán aplicar excepto la duración de la garantía.
6. ESTA GARANTÍA LE DA DERECHOS LEGALES ESPECÍFICOS. USTED PODRÍA TENER OTROS DERECHOS QUE PUEDEN VARIAR DEPENDIENDO DEL ESTADO O PROVINCIA EN EL QUE SE ENCUENTRE.
7. Para obtener el servicio de reparación de esta garantía, debe llevar el Producto o enviarlo prepago a un modulo de servicios TOTO junto con la prueba de compra (recibo de compra original) y una carta en la que plantee el problema, o póngase en contacto con un distribuidor TOTO o el contratista de servicio de los productos, o escriba directamente a TOTO U.S.A., INC., 1155 Southern Road, Morrow, GA 30260 (888) 295 8134 o (678) 466-1300, si fuera de los E.E.U.U. Si, debido al tamaño del producto o naturaleza del defecto, el Producto no puede ser devuelto a TOTO, la recepción en TOTO del aviso escrito del defecto junto con la prueba de compra (recibo de compra original) constituirá el envío. En tal caso, TOTO podrá escoger entre reparar el Producto en el domicilio del comprador o pagar el transporte del Producto a un módulo de servicio.

ESTA GARANTÍA ESCRITA ES LA ÚNICA GARANTÍA HECHA POR TOTO. LA REPARACIÓN, CAMBIO U OTRO AJUSTE ADECUADO, TAL COMO APARECE EN ESTA GARANTÍA, SERÁ EL ÚNICO REMEDIO DISPONIBLE PARA EL COMPRADOR ORIGINAL. TOTO NO SERÁ RESPONSABLE POR LA PÉRDIDA DEL PRODUCTO O POR CUALQUIER OTRO DAÑO ACCIDENTAL, ESPECIAL O CONSECUENTE O POR DAÑOS INCURRIDOS POR EL COMPRADOR ORIGINAL, O POR LA MANO DE OBRA U OTROS COSTOS RELACIONADOS CON LA INSTALACIÓN O REMOCIÓN, O COSTOS DE REPARACIONES HECHAS POR OTROS, O POR CUALQUIER OTRO GASTO NO INDICADO DE MANERA ESPECÍFICA EN LOS PÁRRAFOS ANTERIORES. EN NINGÚN CASO LA RESPONSABILIDAD DE TOTO EXCEDERÁ EL PRECIO DE COMPRA DEL PRODUCTO. EXCEPTO EN LA MEDIDA EN QUE QUEDE PROHIBIDO POR LA LEY APLICABLE, TODA GARANTÍA IMPLÍCITA, INCLUYENDO AQUELLAS DE COMERCIABILIDAD O IDONEIDAD DE USO PARA EL USO O PARA UN PROPÓSITO PARTICULAR, ESTÁ EXPRESAMENTE PROHIBIDA. ALGUNOS ESTADOS NO PERMITEN LAS LIMITACIONES ACERCA DE LA DURACIÓN DE UNA GARANTÍA TÁCITA, O LA EXCLUSIÓN O LIMITACIÓN DE DAÑOS INCIDENTALES O CONSECUENTES, POR LO QUE LA LIMITACIÓN E INCLUSIÓN ANTERIORES PUEDEN NO APLICAR A USTED.

## TABLE DES MATIÈRES

Merci d'avoir choisi TOTO!.....	32	Procédure d'installation.....	34
Avertissements.....	32	Nettoyage.....	45
Avant l'installation.....	32	Entretien.....	45
Pièces incluses.....	33	Garantie.....	46
Outils Nécessaire.....	33	Robinetterie Brute.....	62
Caractéristiques.....	33		

## MERCI D'AVOIR CHOISI TOTO!

La mission de TOTO est de fournir au monde des modes de vie sains, hygiéniques et plus confortables. Nous concevons chaque produit avec l'équilibre entre la forme et la fonction comme principe directeur. Félicitations pour votre choix.

## AVERTISSEMENTS

Pour un fonctionnement sûr du robinet, veuillez observer ce qui suit:

- Pression de fonctionnement:
  - Pression minimum ..... 20 psi (138 kPa), dynamique
  - Pression maximum ..... 80 psi (551 kPa), statique
- Ne pas utiliser le produit à une température ambiante inférieure à 32° F (0° C)

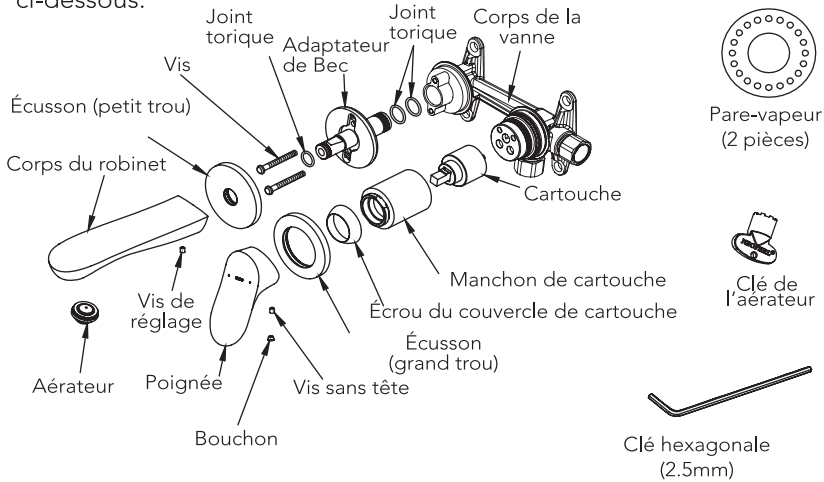
## AVANT L'INSTALLATION

- Respectez tous les codes de plomberie locaux.
- Avant d'installer le robinet, assurez-vous de bien rincer les tuyaux d'alimentation de la saleté et des débris.
- Assurez-vous que l'alimentation en eau est coupée à la vanne d'arrêt.
- Lisez attentivement ces instructions pour assurer une installation correcte.
- TOTO se réserve le droit de mettre à jour la conception du produit sans préavis.



## PIÈCES INCLUSES

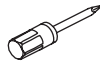
S'applique à : TLG02311U, TLG03308U, TLG09307U, TLG09308U, TLG10307U, TLG10308U, TLG11307U, TLG11308U  
Vérifiez pour vous assurer que vous avez les pièces suivantes indiquées ci-dessous:



## OUTILLAGE NÉCESSAIRE



Scie-couteau



Tournevis



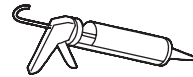
Calfeutrage adhésif



Vis de fixation



Niveau



Adhésif étanche

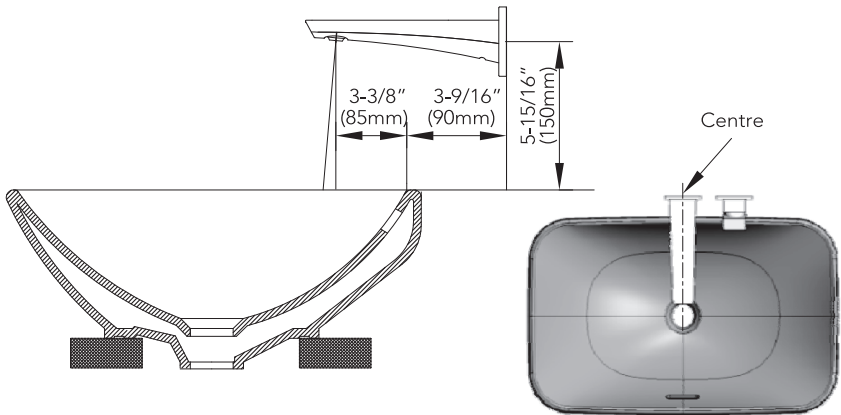
## CARACTÉRISTIQUES

Pression d'alimentation en eau	Minimum requis: 20 psi (138 kPa) (écoulement)
	Maximum autorisé: 80 psi (551 kPa)
Raccordement d'alimentation en eau	1/2" NPT
Température ambiante	32~104°F (0~40°C)
Humidité	Max. 90% RH
Débit	Maximum 1.2 gallon/min (4.5 L/min)

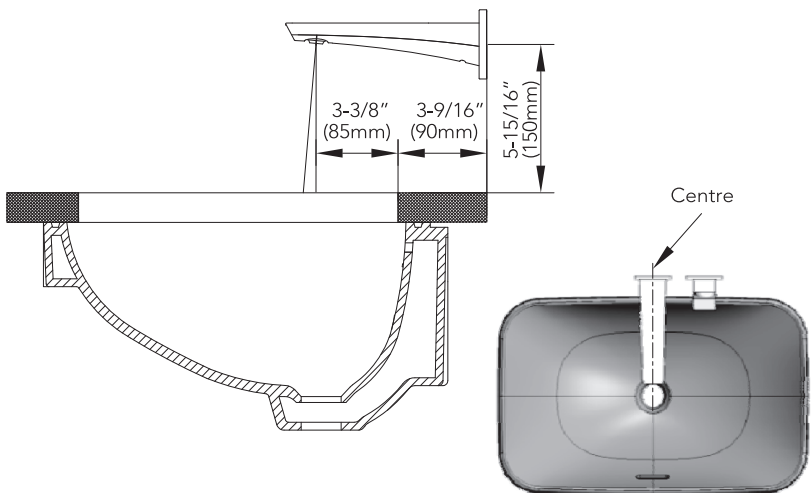
## PROCÉDURE D'INSTALLATION

S'applique à : TLG07307U, TLG08307U, TLG09307U, TLG10307U,  
TLG11307U

Installation de lavabo sur comptoir



Installation de lavabo encastré

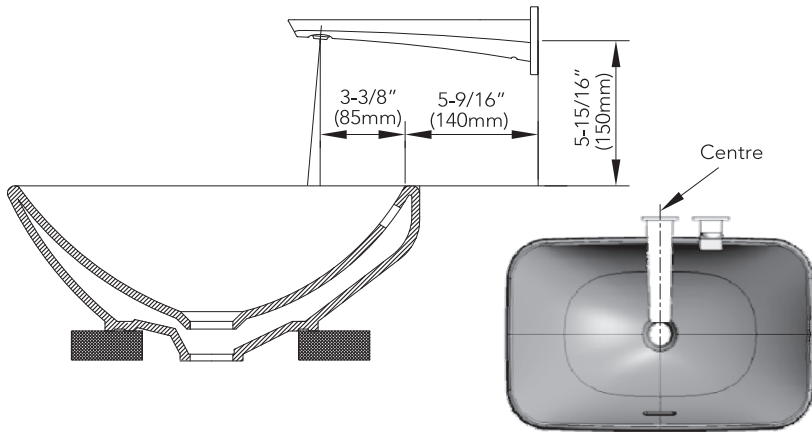


REMARQUE : Unité des dimensions = pouce  
La dimension entre les « () » est en mm.

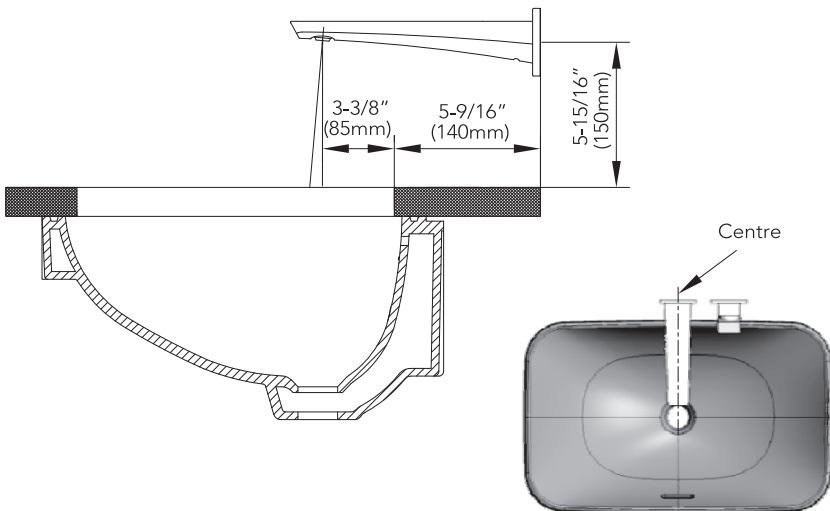
## PROCÉDURE D'INSTALLATION

S'applique à : TLG07308U、TLG08308U、TLG09308U、TLG10308U、  
TLG11308U

Installation de lavabo sur comptoir



Installation de lavabo encastré



REMARQUE : Unité des dimensions = pouce  
La dimension entre les « () » est en mm.

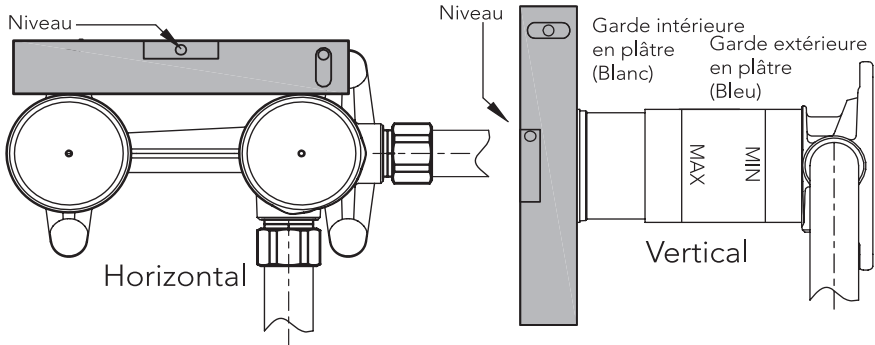
# PROCÉDURE D'INSTALLATION

FRANÇAIS

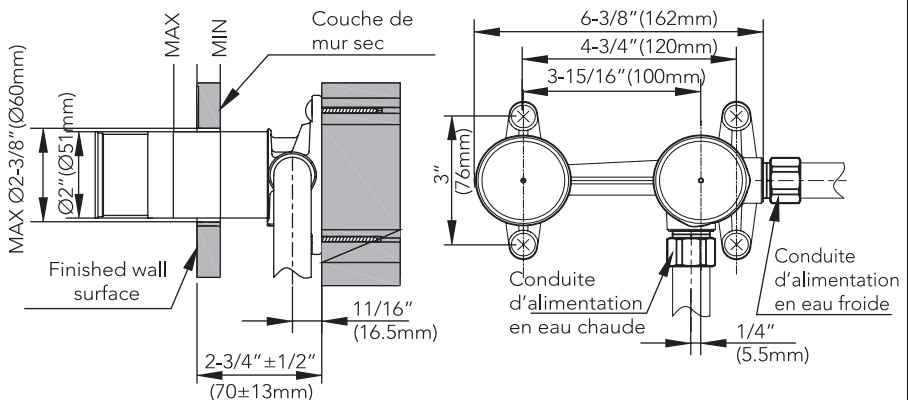
## Installation du corps principal

1. Connectez le corps principal du robinet à la plomberie correspondante. Perforez le mur conformément à la dimension illustrée. Sinon, cela pourrait causer un problème lors de l'installation du robinet.

REMARQUE : Calibrer le corps encastré dans le mur avec un niveau pour garder sa direction horizontale et la direction verticale optimale



## Installation sur mur sec

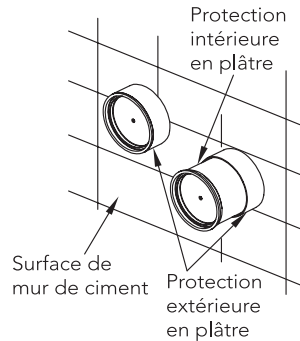


Comme indiqué sur la figure, utilisez des vis (non fournies) pour fixer le produit sur le mur.

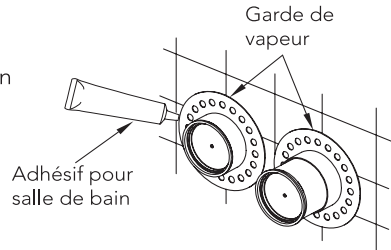
## PROCÉDURE D'INSTALLATION

### REMARQUE

- Lors du montage du corps encastré dans le mur, ne pas retirer la protection extérieure du plâtre ou la protection intérieure du plâtre.
- Faites attention à la profondeur d'encastrément du corps encastré dans le mur pour vous assurer que la surface du mur fini se trouve entre les marques MIN et MAX sur le protecteur de plâtre protecteur.
- Connectez le tuyau d'entrée au corps encastré dans le mur. Assurez-vous que chaque connexion ne fuit pas, puis appliquez un rembourrage cememnt.



2. Faites passer le pare-vapeur à travers la gaine en résine et utilisez l'adhésif de salle de bain pour le coller à la surface du mur en ciment.

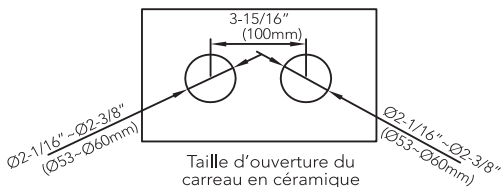


3. Une fois que l'adhésif a complètement séché, fixez le carreau. (La taille d'ouverture du carreau en céramique est indiquée ci-dessous).

Lorsque vous appliquez de l'adhésif entre la protection extérieure en plâtre et l'espace sur le mur, assurez-vous qu'il est uniformément recouvert de silicone et que la surface adhésive n'est pas convexe au mur.

Calfeutrage au silicone

Surface de mur finie



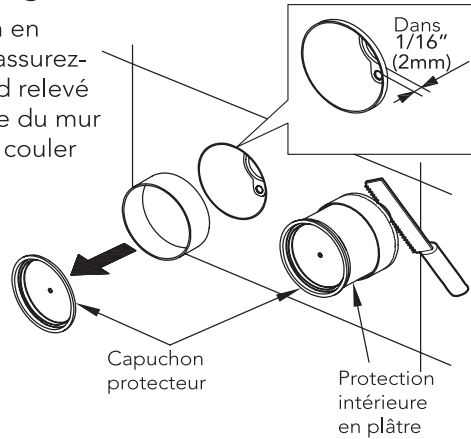
## PROCÉDURE D'INSTALLATION

### Installation du robinet et de la poignée

1. Coupez la gaine de protection en résine avec une scie-couteau et assurez-vous que l'intervalle entre le bord relevé de la gaine en résine et la surface du mur est à 2 mm. (Le bord ne doit pas couler dans la surface du mur)

#### REMARQUE

- Ne pas abîmer la protection de plâtre interne lors de la coupe pour éviter d'endommager le manchon interne de la cartouche.

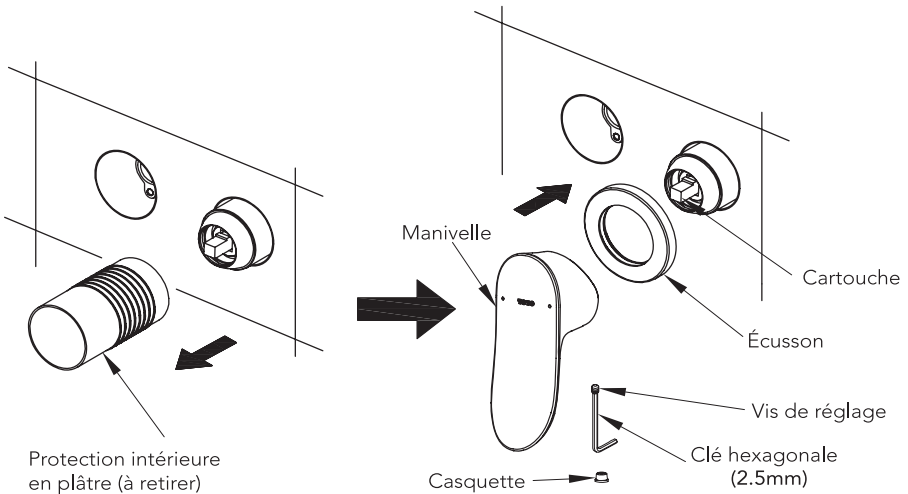


2. Installation de la pièce de poignée :

a. Tirez la protection intérieure en plâtre (Remarque : la protection intérieure en plâtre ne fonctionne plus après la fin du montage).

b. Couvrez la gaine de la cartouche avec l'écusson près de la surface du mur. (Remarque : Appliquez un peu d'eau savonneuse sur le joint torique à l'intérieur de l'écusson pour la lubrification qui peut faciliter le montage).

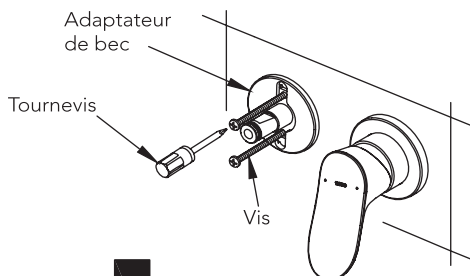
c. Montez la poignée dans la cartouche et utilisez la vis de réglage pour la fixer, puis montez le casquette à la position du trou de vis de réglage.



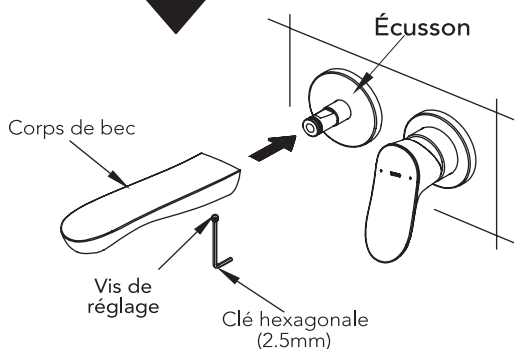
## PROCÉDURE D'INSTALLATION

### Installation du robinet

(a) Insérez l'adaptateur de bec dans le corps de la vanne et fixez-le avec les vis fournies.



(b) Installez l'écusson sur l'adaptateur de bec. Retirez (dévissez) la vis de pression du corps du bec. Installez le corps du bec sur l'adaptateur du bec. Alignez la position de l'écusson et du corps du bec. Fixez avec la vis de réglage.

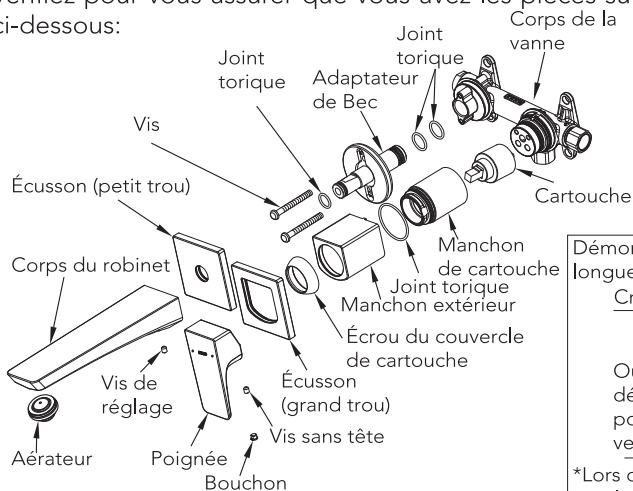


FRANÇAIS

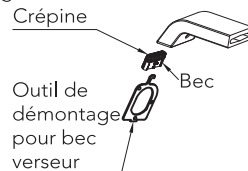
## PIÈCES INCLUSES

S'applique à : TLG07307U, TLG07308U, TLG08307U, TLG08308U

Vérifiez pour vous assurer que vous avez les pièces suivantes indiquées ci-dessous:



Démontage du bec verseur à buse longue



\*Lors du démontage, confirmer que la crépine reste ou non dans le corps



Vapor barrier (Round)



Pare-vapeur (Carré)

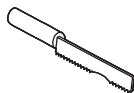


Clé de l'aérateur

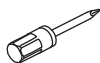


Clé hexagonale (2.5mm)

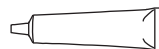
## OUTILLAGE NÉCESSAIRE



Scie-couteau



Tournevis



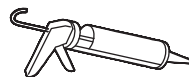
Calfeutrage adhésif



Vis de fixation



Niveau



Adhésif étanche

## CARACTÉRISTIQUES

Pression d'alimentation en eau	Minimum requis: 20 psi (138 kPa) (écoulement)
	Maximum autorisé: 80 psi (551 kPa)
Raccordement d'alimentation en eau	1/2" NPT
Température ambiante	32~104°F (0~40°C)
Humidité	Max. 90% RH
Débit	Maximum 1.2 gallon/min (4.5 L/min)

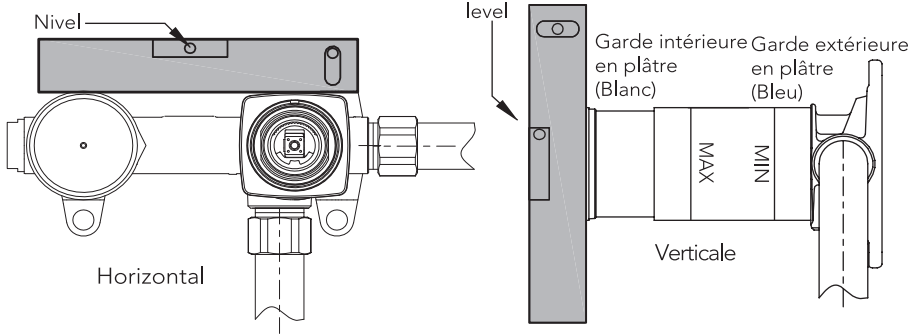


# PROCÉDURE D'INSTALLATION

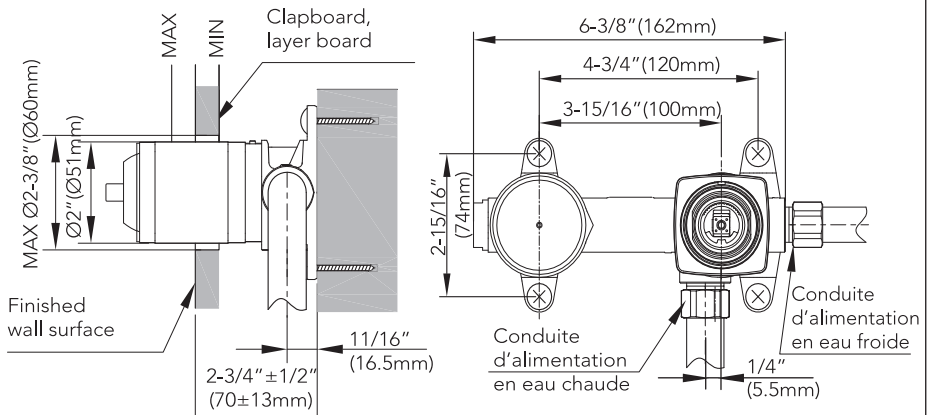
## Installation du corps principal

1. Connectez le corps principal du robinet à la plomberie correspondante. Perforez le mur conformément à la dimension illustrée. Sinon, cela pourrait causer un problème lors de l'installation du robinet.

REMARQUE : Calibrer le corps encastré dans le mur avec un niveau pour garder sa direction horizontale et la direction verticale optimale.



## Installation sur mur sec



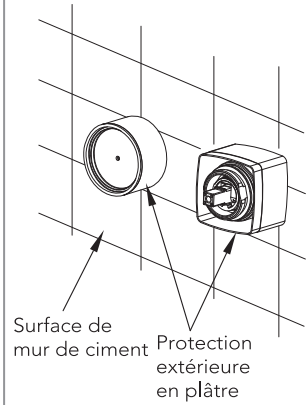
Comme indiqué sur la figure, utilisez des vis (non fournies) pour fixer le produit sur le mur.

## PROCÉDURE D'INSTALLATION

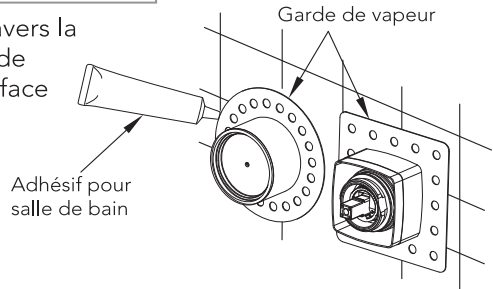
FRANÇAIS

### REMARQUE

- Lors du montage du corps encastré dans le mur, ne pas retirer la protection extérieure du plâtre ou la protection intérieure du plâtre.
- Faites attention à la profondeur d'encastrement du corps encastré dans le mur pour vous assurer que la surface du mur fini se trouve entre les marques MIN et MAX sur le protecteur de plâtre protecteur.
- Connectez le tuyau d'entrée au corps encastré dans le mur. Assurez-vous que chaque connexion ne fuit pas, puis appliquez un rembourrage cememt.

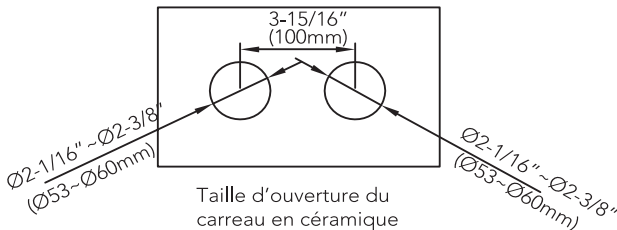
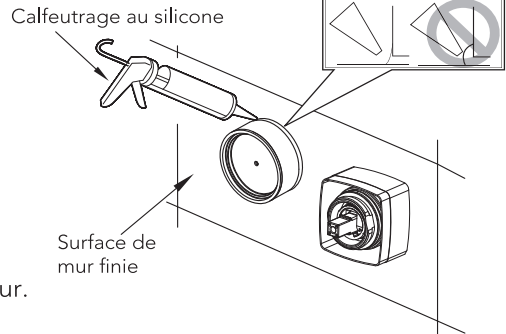


2. Faites passer le pare-vapeur à travers la gaine en résine et utilisez l'adhésif de salle de bain pour le coller à la surface du mur en ciment.



3. Une fois que l'adhésif a complètement séché, fixez le carreau. (La taille d'ouverture du carreau en céramique est indiquée cidessous).

Lorsque vous appliquez de l'adhésif entre la protection extérieure en plâtre et l'espace sur le mur, assurez-vous qu'il est uniformément recouvert de silicone et que la surface adhésive n'est pas convexe au mur.



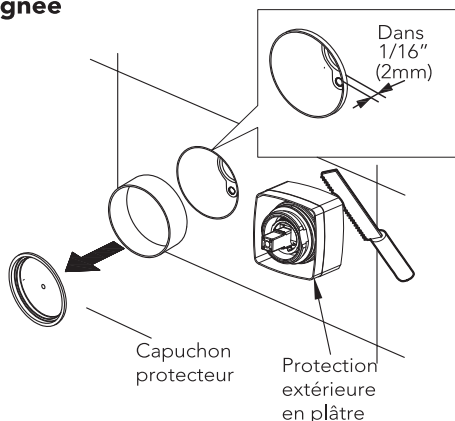
## PROCÉDURE D'INSTALLATION

### Installation du robinet et de la poignée

1. Coupez la gaine de protection en résine avec une scie-couteau et assurez-vous que l'intervalle entre le bord relevé de la gaine en résine et la surface du mur est à 2 mm. (Le bord ne doit pas couler dans la surface du mur)

#### REMARQUE

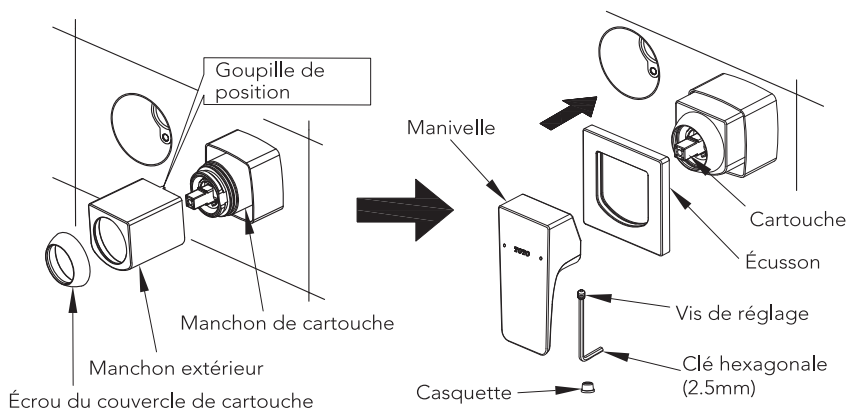
- Ne pas abîmer la protection de plâtre interne lors de la coupe pour éviter d'endommager le manchon interne de la cartouche



FRANÇAIS

2. Installation de la pièce de poignée :

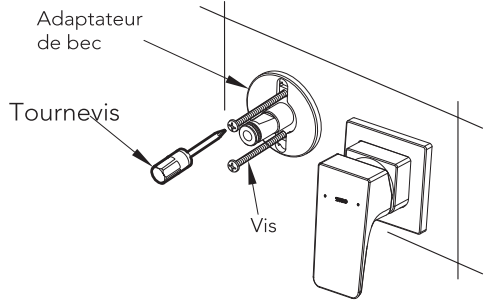
- Tirez la protection intérieure en plâtre (Remarque : la protection intérieure en plâtre ne fonctionne plus après la fin du montage).
- Couvrez la gaine de la cartouche avec l'écusson près de la surface du mur. (Remarque : Appliquez un peu d'eau savonneuse sur le joint torique à l'intérieur de l'écusson pour la lubrification qui peut faciliter le montage).
- Montez la poignée dans la cartouche et utilisez la vis de réglage pour la fixer, puis montez le casquette à la position du trou de vis de réglage.



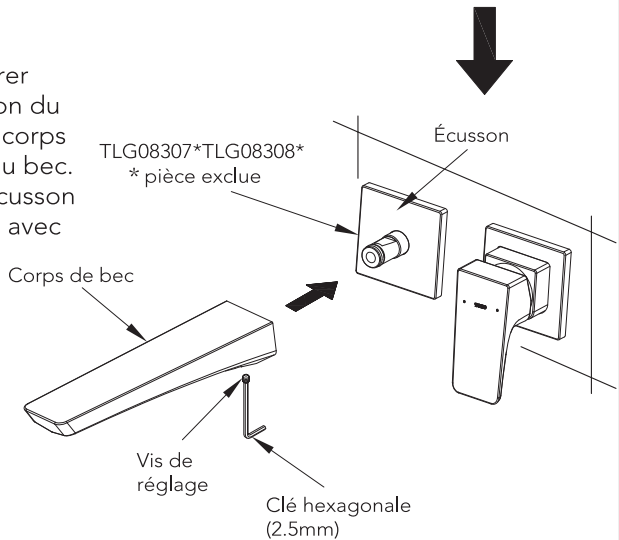
## PROCÉDURE D'INSTALLATION

### Installation du robinet

(a) Insérez l'adaptateur dans le corps de la vanne et fixez-le avec les vis fournies.



(b) Installez l'écusson sur l'adaptateur de bec. Retirez (dévissez) la vis de pression du corps du bec. Installez le corps du bec sur l'adaptateur du bec. Alignez la position de l'écusson et du corps du bec. Fixez avec la vis de réglage fournie.



## NETTOYAGE

Nettoyez les pièces régulièrement pour prévenir l'accumulation de saletés et de calcaire.

Pour le nettoyage quotidien, utilisez un nettoyant neutre.

Les acides sont des ingrédients nécessaires des produits de nettoyage pour éliminer le tartre. Cependant, faites attention aux points suivants lors du nettoyage des raccords :

- Utilisez uniquement des produits de nettoyage qui sont explicitement recommandés pour ce type d'application.
- N'utilisez jamais des produits de nettoyage qui contiennent de l'acide hydrochlorique, formique ou acétique, car il peut causer des dommages considérables.
- N'utilisez pas de l'acide phosphorique, car il peut également causer des dommages.
- N'utilisez jamais de produits ou d'appareils de nettoyage ayant un effet abrasif, comme les poudres de nettoyage, les éponges ou les tissus en microfibrés.
- Veuillez observer les instructions du fabricant du produit de nettoyage.
- Si vous utilisez des nettoyeurs à pulvériser, pulvérisez d'abord sur un tissu ou une éponge. Ne pulvérisez jamais directement sur les raccords, car les gouttes peuvent entrer dans les ouvertures et les écarts, ce qui peut entraîner des dommages.
- Après le nettoyage, rincez bien avec de l'eau propre pour éliminer tout résidu du nettoyant.
- Les composants ayant des surfaces endommagées doivent être remplacés, sinon cela peut entraîner des blessures. Les dommages causés par le traitement inapproprié ne seront pas couverts par notre garantie.

## ENTRETIEN

Vérifiez votre robinet au moins une fois par mois pour détecter les problèmes potentiels suivants et effectuer les procédures d'entretien suivantes:

### Vérifiez la présence de fuites

- Vérifiez tous les raccordements d'eau à la recherche de signes de fuite.

### Relâchement du produit

- Vérifiez s'il y a des pièces qui semblent anormales, par exemple si elles sont desserrées par rapport au moment où vous avez commencé à utiliser le produit.

### Serrez le robinet et l'assemblage de la poignée

- Si le robinet est desserré, serrez l'écrou hexagonal sous le robinet.

Si vous continuez à utiliser le produit avec des tuyaux desserrés, la charge est appliquée sur le ou les tuyaux, ce qui peut entraîner des fuites.

Si ne corrigez pas les anomalies comme le relâchement, la ou les pièces peuvent se casser et les surfaces plaquées peuvent se fissurer, ce qui peut causer des blessures.

Si vous trouvez une pièce desserrée, déposez le capuchon et resserrez la vis qui fixe le corps principal. Si le relâchement ne peut pas être réparé, demandez à votre concessionnaire ou vendeur d'effectuer les réparations (soumises à facturation).

# GARANTIE

## TOTO U.S.A., INC. GARANTIE LIMITÉE À VIE

1. TOTO garantit ses robinets résidentiels et accessoires de bain (« Produit ») contre tout défaut de matériau et de fabrication pendant l'utilisation normale, lorsqu'ils sont correctement installés et maintenus pendant la durée de vie du produit à partir de la date d'achat du produit. La présente garantie limitée ne peut être prolongée que pour le seul ACHETEUR D'ORIGINE de l'appareil et n'est pas transférable à un tiers, y compris mais pas limité à tout acheteur ou propriétaire subséquent du produit. Cette garantie n'est applicable qu'aux produits achetés et installés en Amérique du Nord, Centrale, et du Sud.
2. Les obligations de TOTO selon les termes de cette garantie sont limitées à la réparation, remplacement ou autre ajustement en conséquence, au choix de TOTO, des produits ou des pièces défectueuses en service normal, pourvu qu'un tel produit ait été installé, utilisé et entretenu conformément aux instructions. TOTO se réserve le droit d'effectuer ce genre de vérifications en cas de nécessité afin de déterminer la cause du défaut. TOTO ne facturera pas les interventions ou les pièces relatives à la réparation et au remplacement sous garantie. TOTO n'est pas responsable du coût de désinstallation, de renvoi et/ou de réinstallation de l'appareil.
3. La garantie ne s'applique pas dans les cas suivants:
  - a. Dommage ou perte suite à une cause naturelle telle que incendie, tremblement de terre, inondation, tonnerre, orage etc.
  - b. Dommage ou perte causé par tout accident, utilisation non adaptée, abus, négligence ou mauvais traitement, nettoyage ou entretien de l'appareil, y compris l'utilisation d'agent abrasif ou l'utilisation d'autres produits de nettoyage de façon incompatible aux instructions de l'appareil.
  - c. Dommage ou perte causé par des sédiments ou tout autre corps étranger contenus dans un réseau d'alimentation en eau.
  - d. Dommage ou perte suite à une mauvaise installation ou à l'installation de l'appareil dans un environnement rude et/ou dangereux ou une mauvaise désinstallation, réparation ou modification de l'appareil.
  - e. Dommage ou perte suite à des surtensions, foudres ou tous autres actes qui ne sont pas la responsabilité de TOTO, ou actes stipulés non supportables par le produit.
  - f. Dommage ou perte résultant d'une usage normale et habituelle, telle que la diminution du lustre, grattage ou décoloration avec le temps, habitude de nettoyage, l'eau, ou des conditions atmosphériques.
4. Pour que la garantie limitée soit valable, la preuve d'achat est exigée. TOTO vous encourage à enregistrer votre produit après l'achat pour créer un record du propriétaire, cela peut être fait au site <http://www.totousa.com>. L'enregistrement du produit est complètement volontaire et à défaut de l'enregistrement ne va pas limiter votre droit au garantie limitée.
5. Si le produit est utilisé dans un but commercial ou installé en dehors de L'Amérique du Nord, Centrale ou du Sud, TOTO garantit que le produit est exempt de tous défauts matériels et de fabrication pour une utilisation normale pendant une durée de an (1) à partir de la date d'installation du produit, en plus de respecter tous les autres termes sauf la durée de cette garantie.
6. CETTE GARANTIE DONNE DES DROITS SPÉCIFIQUES. IL EST POSSIBLE QUE L'ACHETEUR AIT D'AUTRES DROITS QUI VARIENT DUN ÉTAT A UN AUTRE OU D'UNE PROVINCE À L'AUTRE.
7. Pour obtenir une réparation selon les termes de cette garantie, l'acheteur doit livrer le produit dans un centre de réparation de TOTO port payé avec preuve d'achat (reçu de caisse original), et une lettre expliquant le problème, ou contacter un distributeur de TOTO ou un entrepreneur de réparation du produit ou écrire directement à TOTO U.S.A., INC., Southern Road, Morrow, Géorgie 30260, (888) 295-8134 ou appelé (678) 466-1300, si en dehors de L'Etat Unis. Si, à cause de la taille du produit ou de la nature du défaut, il n'est pas possible de renvoyer le produit à TOTO, la réception par TOTO d'un avis écrit du défaut avec preuve d'achat (reçu de caisse original) constitue livraison. Dans un tel cas, TOTO peut choisir de réparer le produit chez l'acheteur ou de payer le transport du produit à un centre de réparation.

CETTE GARANTIE ÉCRITE EST LA SEULE GARANTIE FAITE PAR TOTO. LA RÉPARATION, LE REMPLACEMENT OU TOUT AUTRE AJUSTEMENT APPROPRIÉ SELON LES TERMES DE CETTE GARANTIE EST LE SEUL RECOURS DE L'ACHETEUR INITIAL. TOTO N'EST PAS RESPONSABLE DE LA PERTE DU PRODUIT OU DE TOUT AUTRE DOMMAGE INDIRECT, SPÉCIAL OU SECONDAIRE OU DES DÉPENSES ENCOUREES PAR L'ACHETEUR INITIAL NI DE LA MAIN-D'OEUVRE OU AUTRES FRAIS ASSOCIÉS À L'INSTALLATION OU LA MANIPULATION, OU LES FRAIS DE RÉPARATION PAR DES TIERS, NI POUR TOUTS AUTRES FRAIS PAS SPÉCIFIQUEMENT MENTIONNÉS. EN AUCUN CAS, LA RESPONSABILITÉ DE TOTO NE PEUT DÉPASSER LE PRIX D'ACHAT DU PRODUIT. SAUF QUAND INTERDITE PAR UNE LOI APPLICABLE, TOUTE GARANTIE SOUS-ENTENDUE, Y COMPRIS CELLE DE VENDABILITÉ OU D'APPLICATION POUR UN USAGE PARTICULIER, EST EXPRESSÉMENT REJETÉ. CERTAINES PAYS NE PERMETTENT PAS LA LIMITATION DE LA LONGUEUR D'UNE GARANTIE SOUS-ENTENDUE, OU L'EXCLUSION OU LA LIMITATION DES DOMMAGES INDIRECTS OU SECONDAIRES, IL EST DONC POSSIBLE QUE CETTE LIMITATION ET EXCLUSION NE S'APPLIQUE PAS À VOTRE CAS.

## ÍNDICE

Obrigado por escolher TOTO!.....47	Procedimento de instalação.....49
Atenção.....47	Cuidados e limpeza.....60
Antes da instalação.....47	Manutenção.....60
Peças incluídas.....48	Garantia.....61
Ferramentas que você precisará..48	Dimensões Aproximadas.....62
Especificações.....48	

## OBRIGADO POR ESCOLHER TOTO!

A missão da TOTO é fornecer ao mundo estilos de vida saudáveis, higiênicos e mais confortáveis. Nós projetamos todos os produtos com o equilíbrio da forma e funcionamos como um princípio orientador. Parabéns pela sua escolha.

## ATENÇÃO

Para uma operação segura da faucet, observe o seguinte:

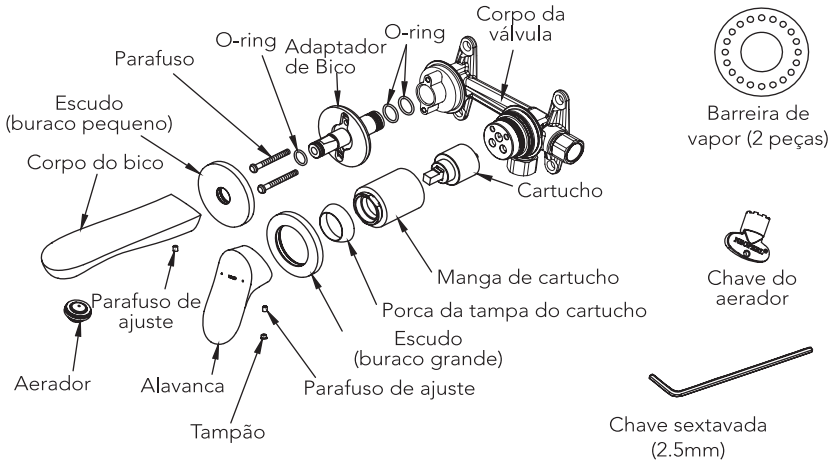
- Pressão de operação:
  - Pressão mínima ..... 20 psi (138 kPa), dinâmico
  - Pressão máxima ..... 80 psi (551 kPa), estático
- Não use o produto a uma temperatura ambiente abaixo de 32° F (0° C)

## ANTES DA INSTALAÇÃO

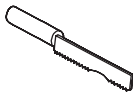
- Observe todos os códigos locais de encanamento.
- Antes de instalar a torneira, certifique-se de esvaziar completamente os tubos de sujidade e detritos.
- Verifique se o fornecimento de água está desligado na válvula de parada.
- Leia atentamente estas instruções para garantir uma instalação adequada.
- A TOTO reserva-se o direito de atualizar o design do produto sem aviso prévio.

## PEÇAS INCLUÍDAS

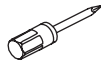
Aplicável a : TLG02311U, TLG03308U, TLG09307U, TLG09308U,  
 TLG10307U, TLG10308U, TLG11307U, TLG11308U  
 Certifique-se de ter as seguintes partes indicadas abaixo:



## FERRAMENTAS QUE VOCÊ PRECISARÁ



Serra da faca



Chave de fenda



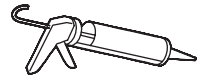
Calafetar adesivo



Parafuso de fixação



Nível



Adesivo impermeável

## ESPECIFICAÇÕES

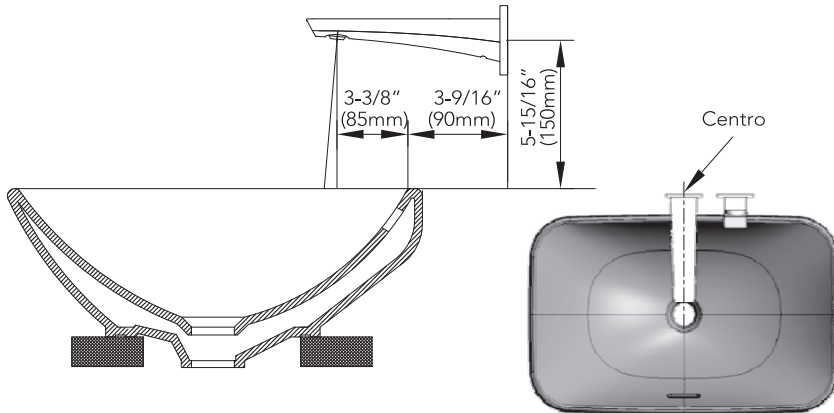
Pressão de fornecimento de água	Mínimo exigido: 20 psi (138 kPa) (Fluindo)
	Máximo permitido: 80 psi (551 kPa)
Conexão de fornecimento de água	1/2" NPT
Temperatura ambiente	32~104°F (0~40°C)
Umidade	Max. 90% RH
Vazão	Maximo 1.2 galon/min (4.5 L/min)



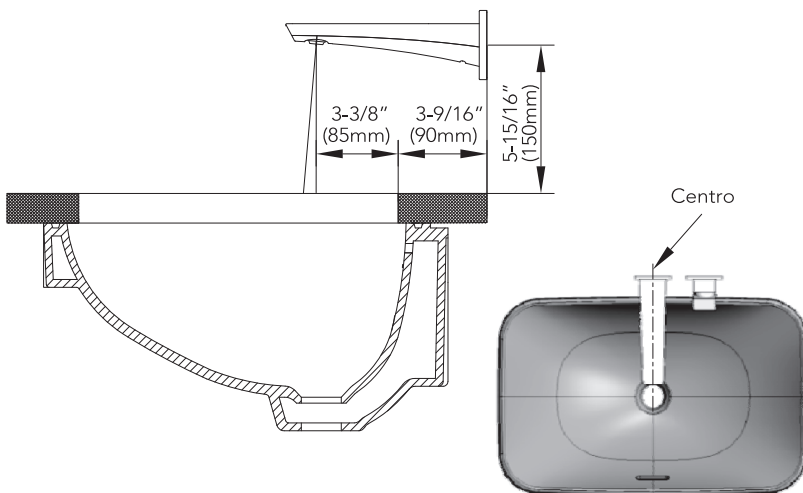
## PROCEDIMENTO DE INSTALAÇÃO

Aplicável a : TLG07307U, TLG08307U, TLG09307U, TLG10307U,  
TLG11307U

Instalação de lavatório de bancada



Instalação de lavatório de embutir



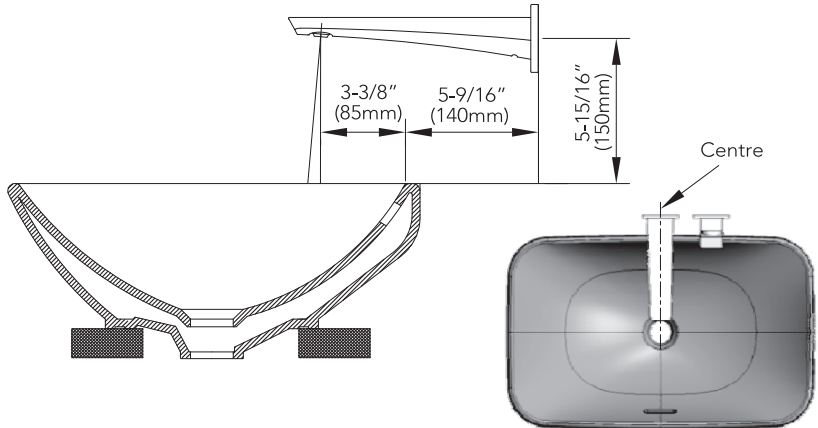
OBSERVAÇÃO: Unidade das dimensões = polegadas  
Dimensões entre ( ) estão em mm.

## PROCEDIMENTO DE INSTALAÇÃO

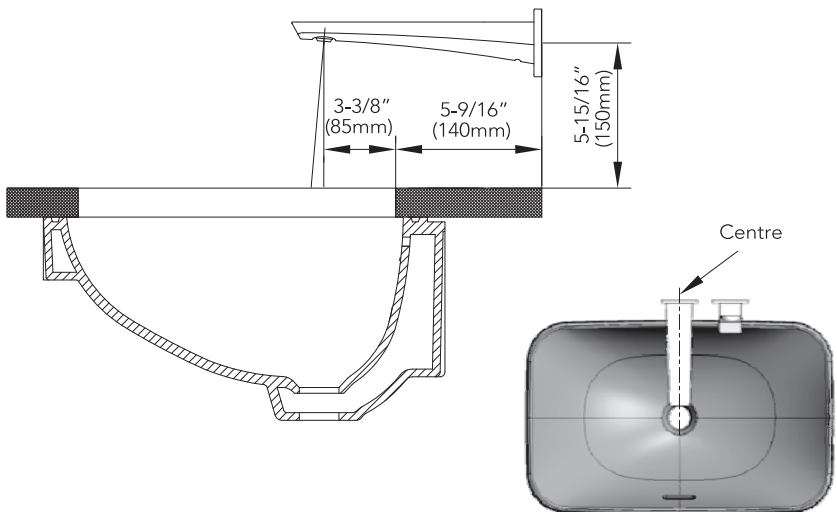
Aplicável a : TLG07308U、TLG08308U、TLG09308U、TLG10308U、  
TLG11308U

Instalação de lavatório de bancada

PORTUGUÊS



Instalação de lavatório de embutir



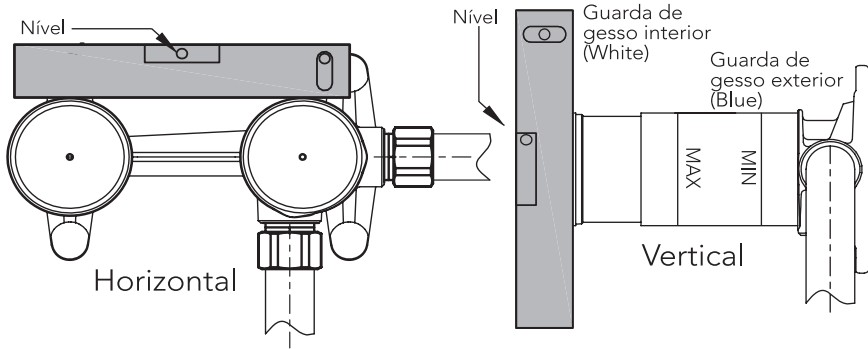
OBSERVAÇÃO: Unidade das dimensões = polegadas  
Dimensões entre ( ) estão em mm.

## PROCEDIMENTO DE INSTALAÇÃO

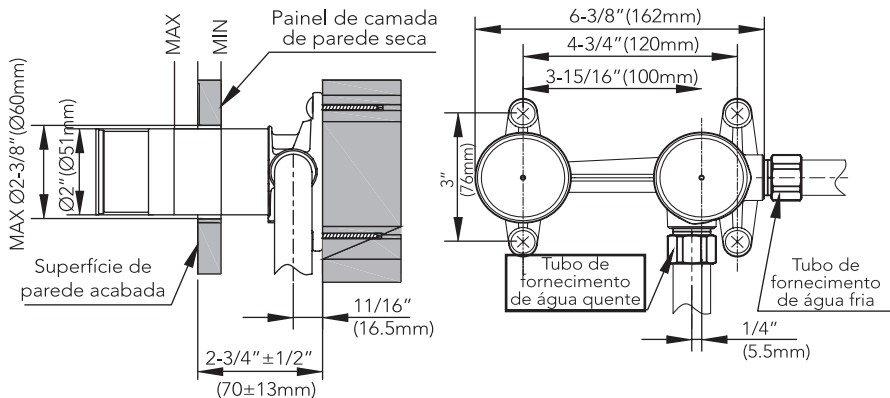
### Instalação do corpo principal

1. Conecte o corpo principal da faucet ao encanamento correspondente. Perfure a parede de acordo com a dimensão ilustrada. Caso contrário, pode causar um problema ao instalar a faucet.

OBSERVAÇÃO: Calibre o corpo embutido na parede com um nível para manter a direção horizontal e a direção vertical no melhor.



### Instalação em parede seca

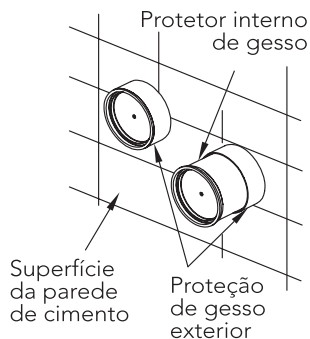


Conforme mostrado na figura, use parafusos (não fornecidos) para proteger o produto na parede.

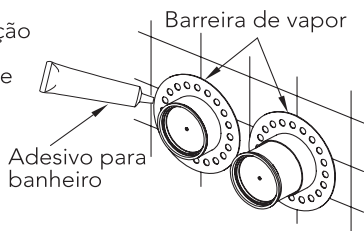
## PROCEDIMENTO DE INSTALAÇÃO

### OBSERVAÇÃO

- Ao montar o corpo embutido na parede, não remova a proteção exterior de gesso ou a proteção interna de gesso.
- Preste atenção na profundidade de encaixe do corpo embutido na parede para garantir que a superfície da parede acabada esteja entre as marcas MIN e MAX na proteção protetora de gesso.
- Conecte o tubo de entrada ao corpo embutido na parede. Certifique-se de que cada conexão não vazou e, em seguida, aplique o preenchimento do cemennt.



2. Obter a barreira de vapor através da proteção de gesso exterior e usar o adesivo para banheiro para colá-lo sobre a superfície da parede de cimento.

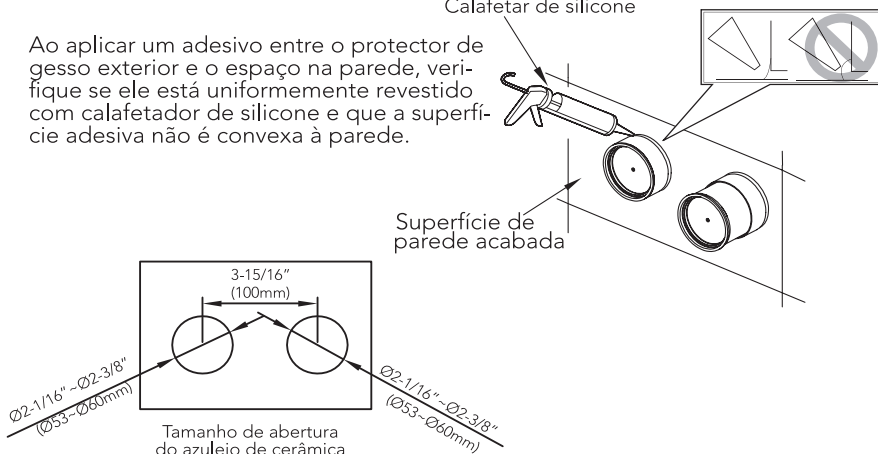


3. Depois que o adesivo estiver completamente seco, conserte o azulejo. (Tamanho da abertura da telha cerâmica abaixo).

Ao aplicar um adesivo entre o protector de gesso exterior e o espaço na parede, verifique se ele está uniformemente revestido com calafetador de silicone e que a superfície adesiva não é convexa à parede.

Calafetar de silicone

Superfície de parede acabada



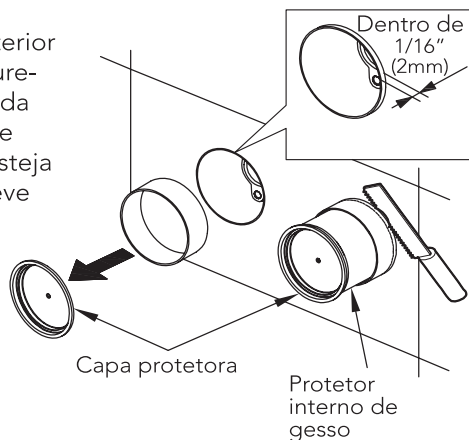
## PROCEDIMENTO DE INSTALAÇÃO

### Instalação de bico e alça

1. Corte a proteção de gesso exterior com uma serra de corte e assegure-se de que o intervalo entre a borda levantada da proteção externa de gesso e a superfície da parede esteja dentro de 2mm. (A borda não deve afundar na superfície da parede)

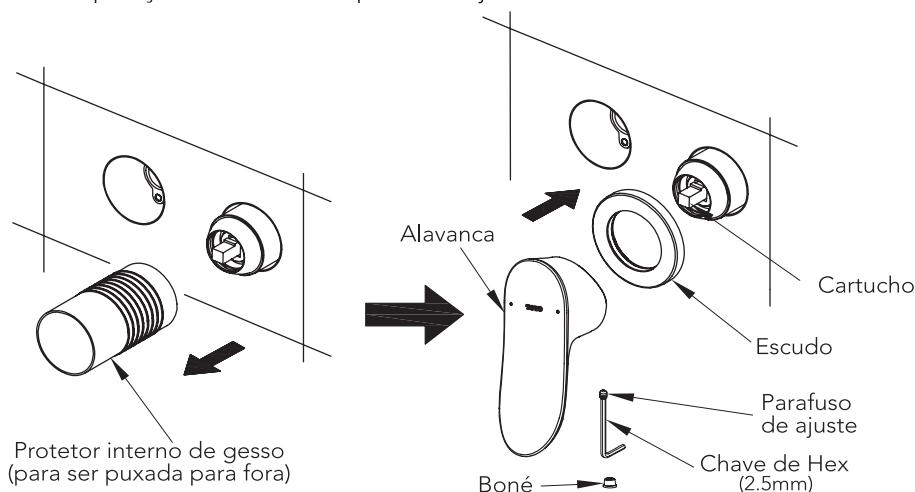
### OBSERVAÇÃO

- Não machuque o protetor de gesso interno ao cortar para evitar danificar a manga interna do cartucho.



2. Instalação da peça da alça:

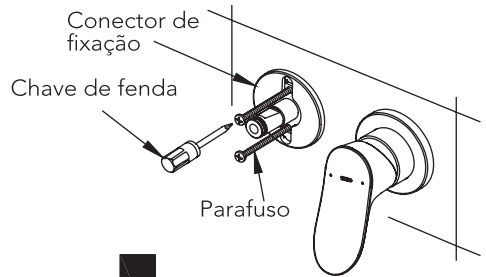
- Retirar a bainha interna (obs.: a protetor de gesso interior não funciona mais após concluir a montagem).
- Tire a manga do cartucho com o escudo perto da superfície da parede. (Nota: Aplique uma pequena quantidade de água de sabão no O-Ring dentro do escudo para lubrificação para facilitar a montagem).
- Monte a alça no cartucho e use o parafuso para fixá-lo e monte a boné na posição do orifício do parafuso ajustado.



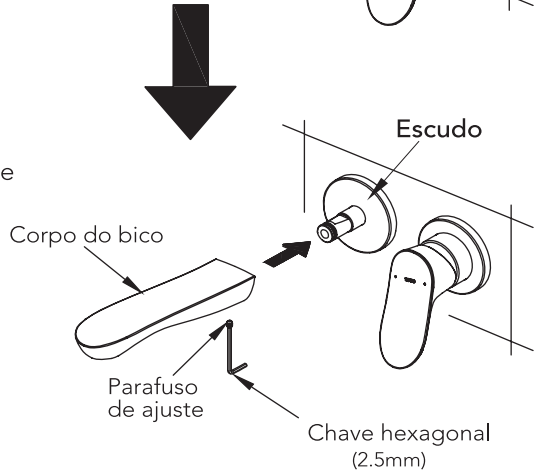
## PROCEDIMENTO DE INSTALAÇÃO

### Instalação do bico

(a) Insira o adaptador do bico no corpo da válvula e fixe com os parafusos fornecidos.



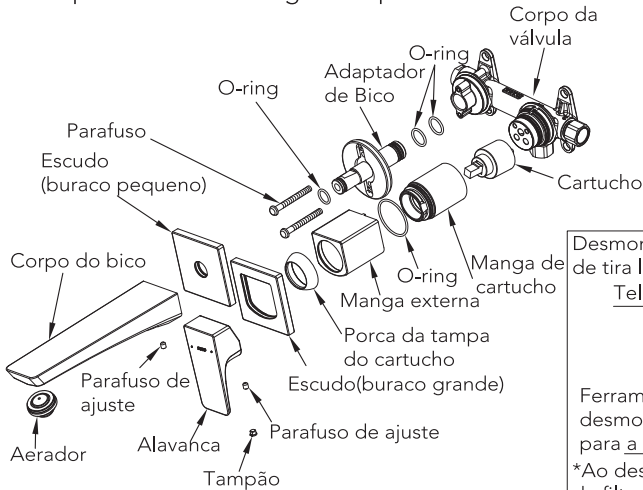
(b) Instale o escudo no adaptador do bico. Remova (desaperte) o parafuso de ajuste do corpo do bico. Instale o corpo do bico no adaptador do bico. Alinhe a posição do escudo e do corpo do bico. Fixe com o parafuso de ajuste fornecido.



## PEÇAS INCLUÍDAS

Aplicável a : TLG07307U, TLG07308U, TLG08307U, TLG08308U

Certifique-se de ter as seguintes partes indicadas abaixo:



Desmontagem do bico com bocal de tira longa



Ferramenta de desmontagem para a torneira

\*Ao desmontar, confirme se a tela de filtro permanece no corpo



Barreira de vapor (Circular)



Barreira de vapor (Quadrado)

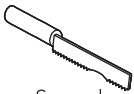


Chave do aerador

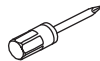


Chave sextavada (2.5mm)

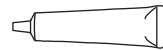
## FERRAMENTAS QUE VOCÊ PRECISARÁ



Serra da faca



Chave de fenda



Calafetar adesivo



Parafuso de fixação



Nível



Adesivo impermeável

## SPECIFICACIONES

Pressão de fornecimento de água	Mínimo exigido: 20 psi (138 kPa) (Fluindo)
	Máximo permitido: 80 psi (551 kPa)
Conexão de fornecimento de água	1/2" NPT
Temperatura ambiente	32~104°F (0~40°C)
Umidade	Max. 90% RH
Vazão	Maximo 1.2 galon/min (4.5 L/min)

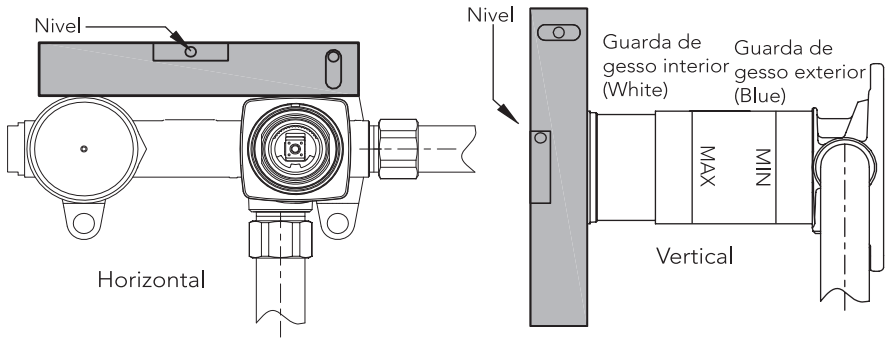
## PROCEDIMENTO DE INSTALAÇÃO

PORTUGUÊS

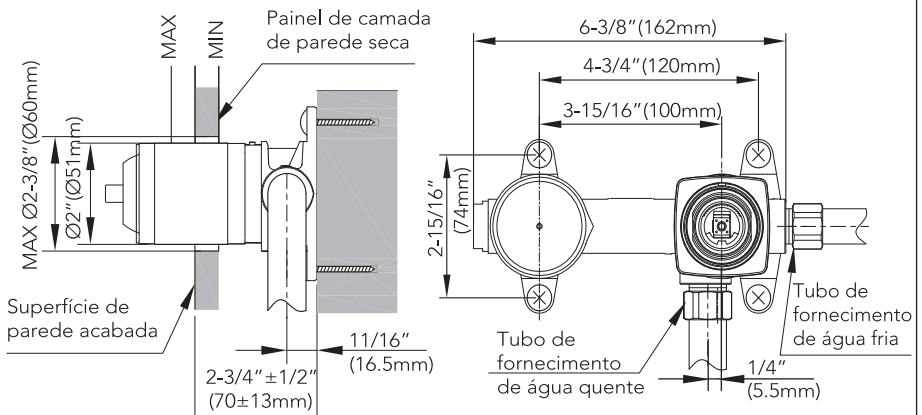
### Instalação do corpo principal

1. Conecte o corpo principal da faucet ao encanamento correspondente. Perfure a parede de acordo com a dimensão ilustrada. Caso contrário, pode causar um problema ao instalar a faucet.

OBSERVAÇÃO: Calibre o corpo embutido na parede com um nível para manter a direção horizontal e a direção vertical no melhor.



### Instalação em parede seca



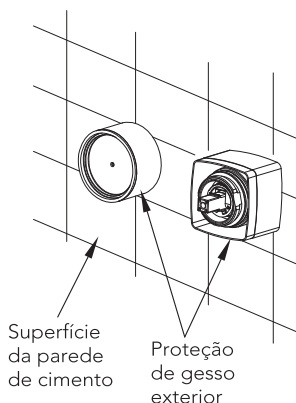
Conforme mostrado na figura, use parafusos (não fornecidos) para proteger o produto na parede.



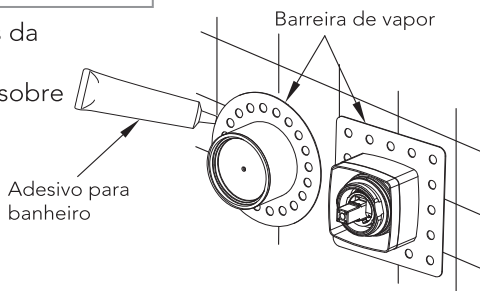
## PROCEDIMENTO DE INSTALAÇÃO

### OBSERVAÇÃO

- Ao montar o corpo embutido na parede, não remova a proteção exterior de gesso ou a proteção interna de gesso.
- Preste atenção na profundidade de encaixe do corpo embutido na parede para garantir que a superfície da parede acabada esteja entre as marcas MIN e MAX na proteção protetora de gesso.
- Conecte o tubo de entrada ao corpo embutido na parede. Certifique-se de que cada conexão não vazou e, em seguida, aplique o preenchimento do cemenmt.

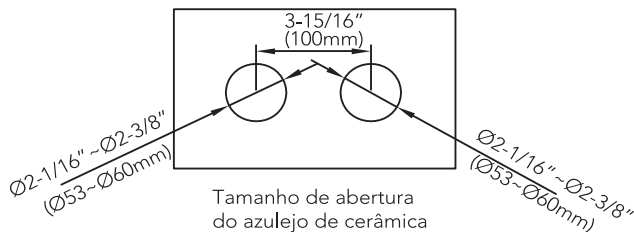
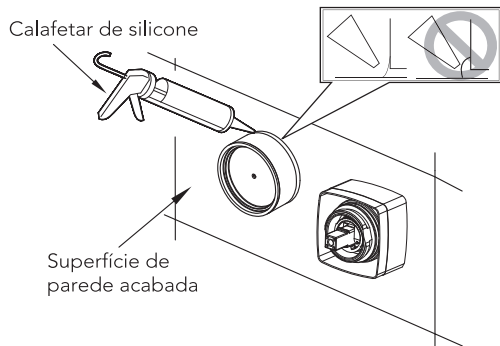


2. Obter a barreira de vapor através da proteção de gesso exterior e usar o adesivo para banheiro para colá-lo sobre a superfície da parede de cimento



3. Depois que o adesivo estiver completamente seco, conserte o azulejo. (Tamanho da abertura da telha cerâmica abaixo).

Ao aplicar um adesivo entre o protector de gesso exterior e o espaço na parede, verifique se ele está uniformemente revestido com calafetador de silicone e que a superfície adesiva não é convexa à parede.



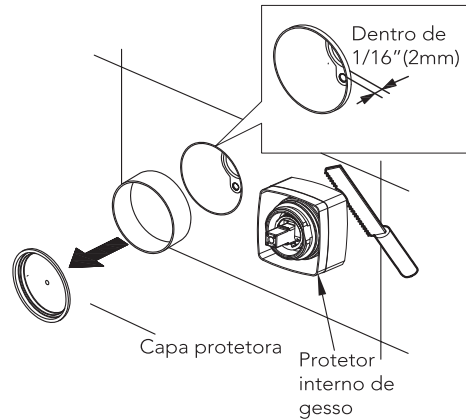
## PROCEDIMENTO DE INSTALAÇÃO

### Instalação de bico e alça

1. Corte a proteção de gesso exterior com uma serra de corte e assegure-se de que o intervalo entre a borda levantada da proteção externa de gesso e a superfície da parede esteja dentro de 2mm. (A borda não deve afundar na superfície da parede)

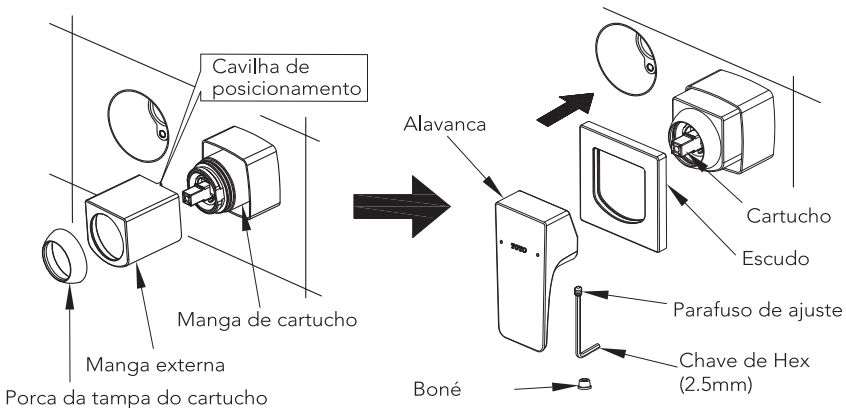
#### OBSERVAÇÃO

- Não machuque o protetor de gesso interno ao cortar para evitar danificar a manga interna do cartucho.



2. Instalação da peça da alça:

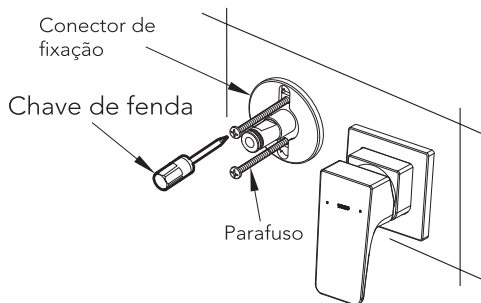
- Retirar a bainha interna (obs.: a protetor de gesso interior não funciona mais após concluir a montagem).
- Tire a manga do cartucho com o escudo perto da superfície da parede. (Nota: Aplique uma pequena quantidade de água de sabão no O-Ring dentro do escudo para lubrificação para facilitar a montagem).
- Monte a alça no cartucho e use o parafuso para fixá-lo e monte a boné na posição do orifício do parafuso ajustado.



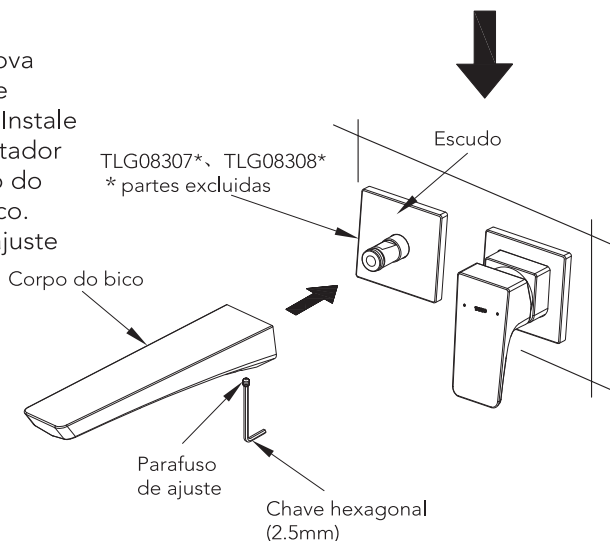
## PROCEDIMENTO DE INSTALAÇÃO

### Instalação do bico

(a) Insira o adaptador do bico no corpo da válvula e fixe com os parafusos fornecidos.



(b) Instale o escudo no adaptador do bico. Remova (desaperte) o parafuso de ajuste do corpo do bico. Instale o corpo do bico no adaptador do bico. Alinhe a posição do escudo e do corpo da bico. Fixe com o parafuso de ajuste fornecido.



## CUIDADOS E LIMPEZA

Limpe as peças regularmente para evitar o acúmulo de sujeira e limo. Para limpeza diária, use um limpador neutro.

Os ácidos são ingredientes necessários dos materiais de limpeza para remoção de limo. No entanto, preste atenção nos seguintes pontos ao limpar acessórios:

- Use somente materiais de limpeza explicitamente recomendados para este tipo de aplicação.
- Nunca use materiais de limpeza que contenham ácido clorídrico, fórmico ou acético, pois podem causar danos consideráveis.
- Não use ácido fosfórico, pois também pode causar danos.
- Nunca use materiais ou aparelhos de limpeza com efeito abrasivo, como limpeza de pós, esponjas ou panos de microfibra.
- Siga as instruções do fabricante quanto ao material de limpeza.
- Ao usar produtos de limpeza de pulverização, pulverize primeiro sobre um pano macio ou uma esponja. Nunca pulverize diretamente nos encaixes, pois as gotas podem entrar nas aberturas e fendas e causar danos.
- Após a limpeza, enxágue completamente com água limpa para remover qualquer resíduo de limpeza.
- Os componentes com superfícies danificadas devem ser trocados, caso contrário, isso pode causar uma avaria. Os danos causados por tratamento inadequado não serão cobertos pela garantia.
- not be covered by our warranty.

## MANUTENÇÃO

Verifique a sua torneira pelo menos uma vez por mês quanto aos possíveis problemas descritos a seguir e faça os seguintes procedimentos de manutenção:

### Inspecione de vazamentos

- Verifique todas as conexões de água para detectar sinais de vazamento.

### Frouidão do produto

- Verifique se há peças que parecem anormais ou frouxas, em comparação ao período inicial de uso do produto.

### Aperte o conjunto da alça e do bico

- ③ Se o bico estiver solto, aperte a porca hexagonal por baixo do bico.

Se continuar a usar o produto com tubulação solta, a carga é aplicada ao(s) tubo(s) e pode resultar em vazamento de água.

Se deixar qualquer anormalidade como a folga não fixada, a peça pode quebrar ou superfícies revestidas podem rachar, prejudicando você.

Se encontrar uma peça solta, retire a tampa e aperte o parafuso que prende o corpo principal. Caso a folga não possa ser reparada, peça ao seu revendedor ou vendedor para fazer reparos (sujeito a cobrança).

# GARANTIA

TOTO DO BRASIL DISTRIBUIÇÃO E COMÉRCIO, LTDA.

## GARANTIA LIMITADA DE TRÊS ANOS

A garantia se aplica somente às Válvulas de Descarga Eletrônicas, Torneiras e Distribuidores de Sabão.

1. A TOTO garante suas válvulas de descarga eletrônicas, torneiras e dispensadores de sabão ("Produto") contra defeitos de material e de fabricação durante o uso normal quando instalados e submetidos à manutenção adequada, por um período de três (3) anos à partir da data da compra. Esta garantia limitada é estendida apenas ao COMPRADOR ORIGINAL do Produto e não é transferível a terceiros, incluindo, mas não limitado a, qualquer comprador ou proprietário subsequente do Produto. Esta garantia se aplica somente a Produtos da TOTO comprados e instalados no Brasil.

2. As obrigações da TOTO sob esta garantia estão limitadas a reparos, substituições ou outros ajustes apropriados, a critério da TOTO, do Produto ou de peças que apresentem defeitos durante o uso normal, contanto que tal Produto tenha sido instalado, usado e submetido à manutenção adequada de acordo com as instruções. A TOTO se reserva o direito de realizar tais inspeções conforme necessário para determinar a causa do defeito. A TOTO não cobrará pela mão de obra ou por peças relacionadas a reparos ou substituições em garantia. A TOTO não é responsável pelo custo de remoção, devolução e/ou reinstalação do Produto.

3. Esta garantia não se aplica aos seguintes itens:

- a. Danos ou perdas sofridos em desastres naturais como incêndios, terremotos, enchentes, trovoadas, tempestades elétricas etc.
- b. Danos ou perdas resultantes de quaisquer acidentes, uso excessivo, uso indevido, abuso, negligência ou de cuidados, limpeza ou manutenção inadequada do Produto.
- c. Danos ou perdas resultantes de sedimentos ou corpos estranhos contidos em um sistema hidráulico.
- d. Danos ou perdas resultantes de instalação inadequada ou instalação do Produto em um ambiente severo e/ou de risco, ou de remoção, reparos ou modificações inadequados do Produto, o que inclui o uso de componentes não originais da TOTO.
- e. Danos ou perdas resultantes de oscilações de energia ou quedas de raios ou outros atos que não sejam de responsabilidade da TOTO ou os quais o Produto não seja especificado para suportar.
- f. Danos ou perdas resultantes do desgaste normal e habitual, como redução do brilho, arranhões ou desbotamento ao longo do tempo devido ao uso, práticas de limpeza ou água ou condições atmosféricas, incluindo, mas não limitados a, o uso de alvejantes, álcali, limpadores ácidos, limpadores a seco (pó) ou quaisquer outros limpadores abrasivos ou o uso de esponjas de metal ou nylon.

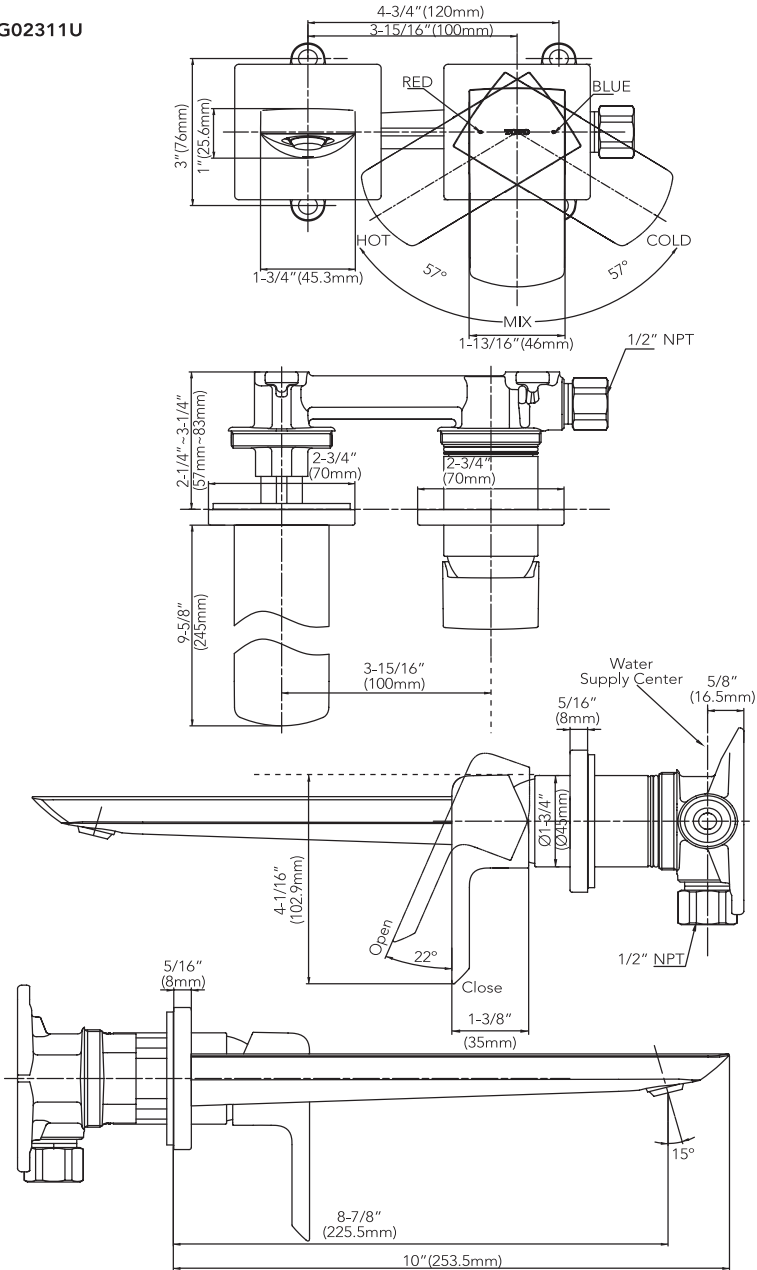
Para obter o serviço de reparos da garantia sob esta garantia, por favor envie um e-mail para [suporte@br.toto.com](mailto:suporte@br.toto.com) para obter instruções sobre como proceder com sua reivindicação. Você pode ser instruído a (1) levar o Produto ou fazer a entrega pré-paga a um prestador de serviços da TOTO juntamente com o comprovante de compra (recibo de compra original) e uma carta declarando o problema; (2) entrar em contato com um distribuidor ou prestador de serviços de produtos da TOTO; ou (3) se, devido ao tamanho do Produto ou natureza do defeito, o Produto não puder ser devolvido a um centro de assistência autorizado da TOTO, a TOTO pode optar por reparar o Produto no local do comprador ou pagar pelo transporte do Produto para uma prestadora de serviços.

**ATENÇÃO!** A TOTO não é responsável por qualquer defeito de, ou dano a, esse Produto causado por cloraminas no tratamento do fornecimento público de água ou limpadores contendo cloro (hipoclorito de cálcio). **ATENÇÃO:** O uso de alta concentração de cloro ou produtos à base de cloro pode danificar seriamente os acessórios. Esse dano pode causar vazamentos e outros problemas graves.

ESTA GARANTIA POR ESCRITO É A ÚNICA GARANTIA FEITA PELA TOTO. REPAROS, SUBSTITUIÇÕES OU OUTROS AJUSTES APROPRIADOS CONFORME FORNECIDOS SOB ESTA GARANTIA SERÃO O ÚNICO RECURSO DISPONÍVEL AO COMPRADOR ORIGINAL. A TOTO NÃO SERÁ RESPONSÁVEL PELA PERDA DO PRODUTO OU POR OUTROS DANOS OU GASTOS INCIDENTAIS, ESPECIAIS OU CONSEQUENTES INCORRIDOS PELO COMPRADOR ORIGINAL OU POR CUSTOS DE MÃO DE OBRA OU OUTROS DEVIDO À INSTALAÇÃO OU REMOÇÃO, OU CUSTOS DE REPAROS FEITOS POR TERCEIROS, OU POR QUALQUER OUTRO GASTO NÃO DECLARADO ESPECIFICAMENTE ACIMA. EM NENHUM CASO A RESPONSABILIDADE DA TOTO EXCEDERÁ O PREÇO DE COMPRA DO PRODUTO. EXCETO QUANTO À EXTENSÃO PROIBIDA POR LEI APLICÁVEL, QUAISQUER GARANTIAS IMPLÍCITAS, INCLUINDO A DE COMERCIALIZAÇÃO OU ADEQUAÇÃO PARA USO OU PARA UMA FINALIDADE ESPECÍFICA, SÃO EXPRESSAMENTE ISENTAS. ALGUNS PAÍSES, REGIÕES, ESTADOS ETC. NÃO PERMITEM LIMITAÇÕES SOBRE A DURAÇÃO DE UMA GARANTIA IMPLÍCITA OU A EXCLUSÃO OU LIMITAÇÃO DE DANOS INCIDENTAIS OU CONSEQUENTES, PORTANTO, A LIMITAÇÃO E A EXCLUSÃO ACIMA PODEM NÃO SE APLICAR A VOCÊ.

# ROUGH-IN DIMENSIONS / BOSQUEJO ROBINETTERIE BRUTE / DIMENSÕES APROXIMADAS

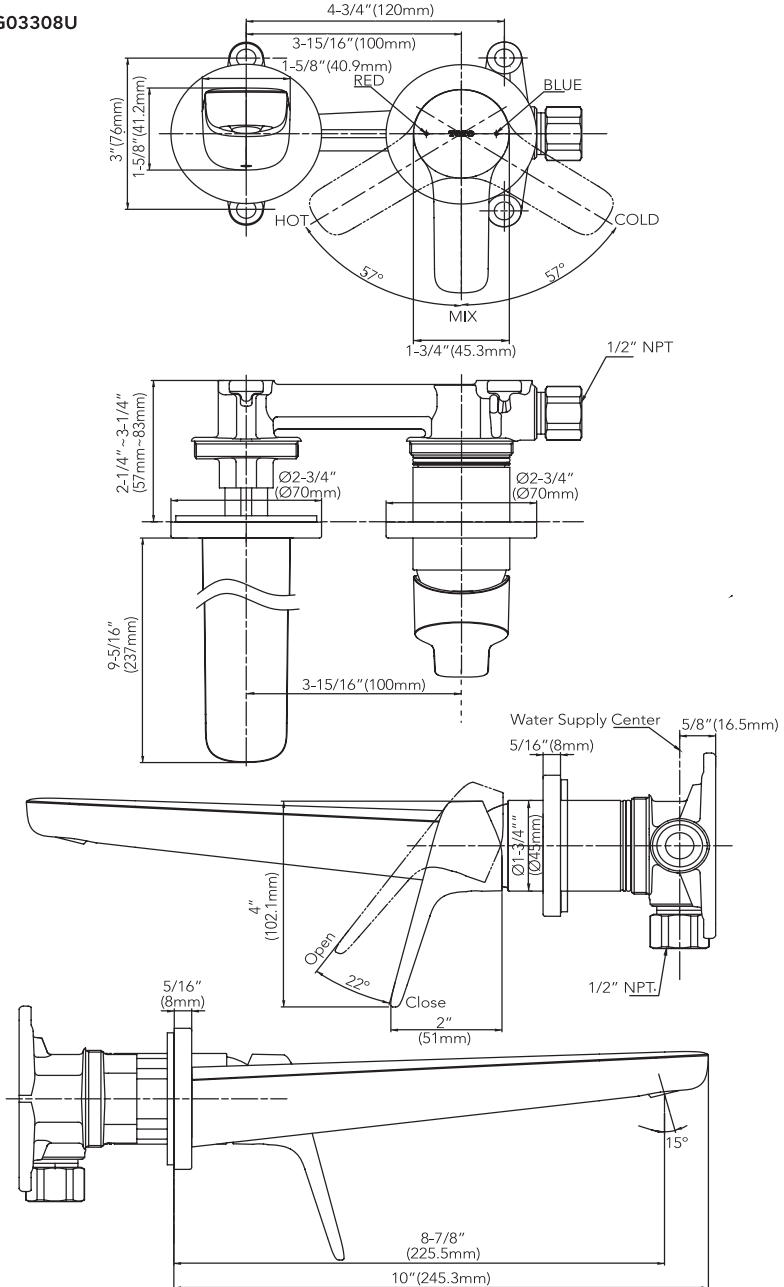
TLG02311U



NOTE: Unit for dimensions = inches  
Dimension in ( ) is mm.

# ROUGH-IN DIMENSIONS / BOSQUEJO ROBINETTERIE BRUTE / DIMENSÕES APROXIMADAS

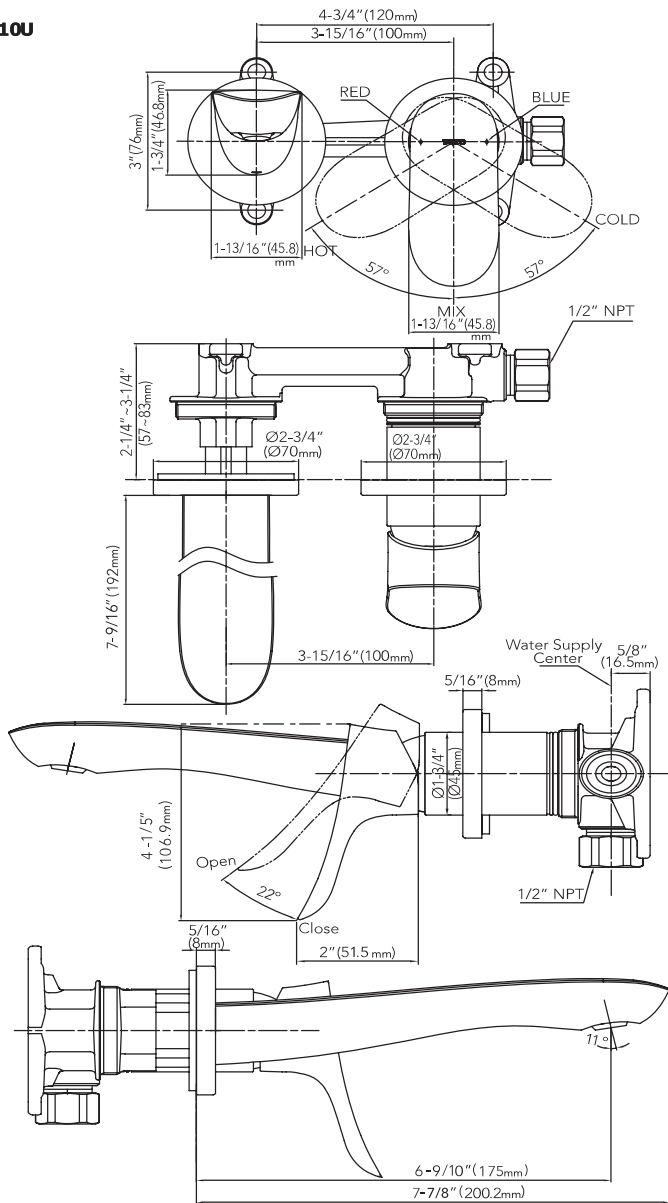
TLG03308U



NOTE: Unit for dimensions = inches  
Dimension in ( ) is mm.

# ROUGH-IN DIMENSIONS / BOSQUEJO ROBINETTERIE BRUTE / DIMENSÕES APROXIMADAS

**TLG01310U**

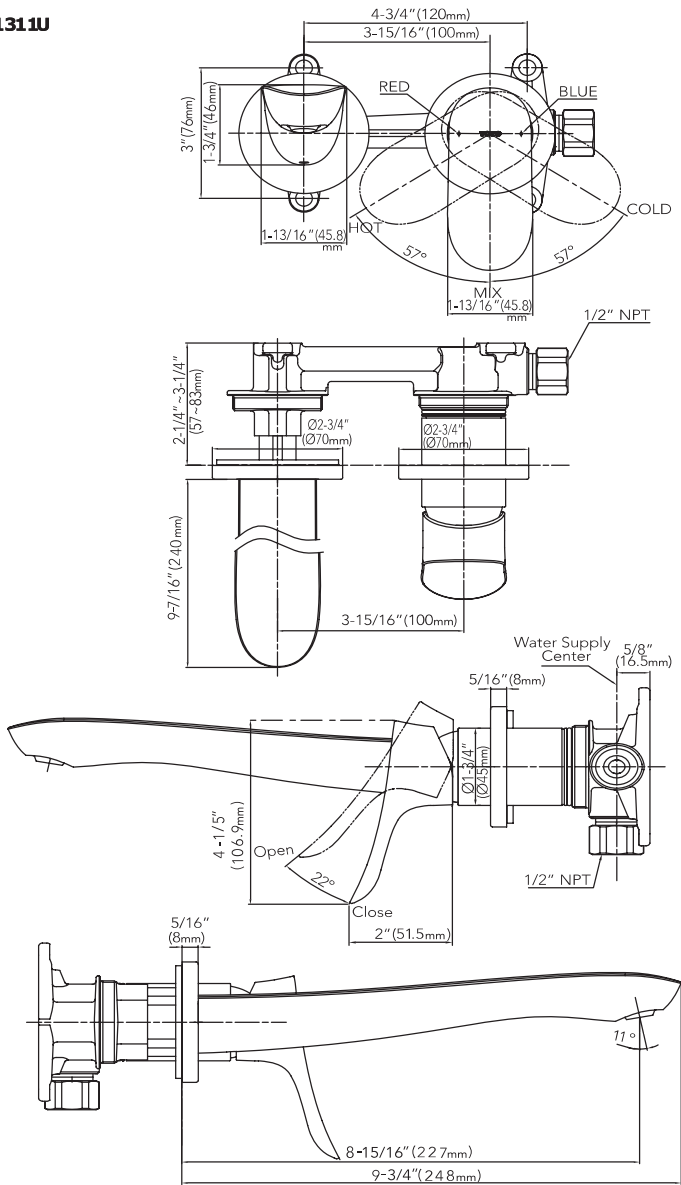


NOTE: Unit for dimensions = inches  
Dimension in ( ) is mm.



# ROUGH-IN DIMENSIONS / BOSQUEJO ROBINETTERIE BRUTE / DIMENSÕES APROXIMADAS

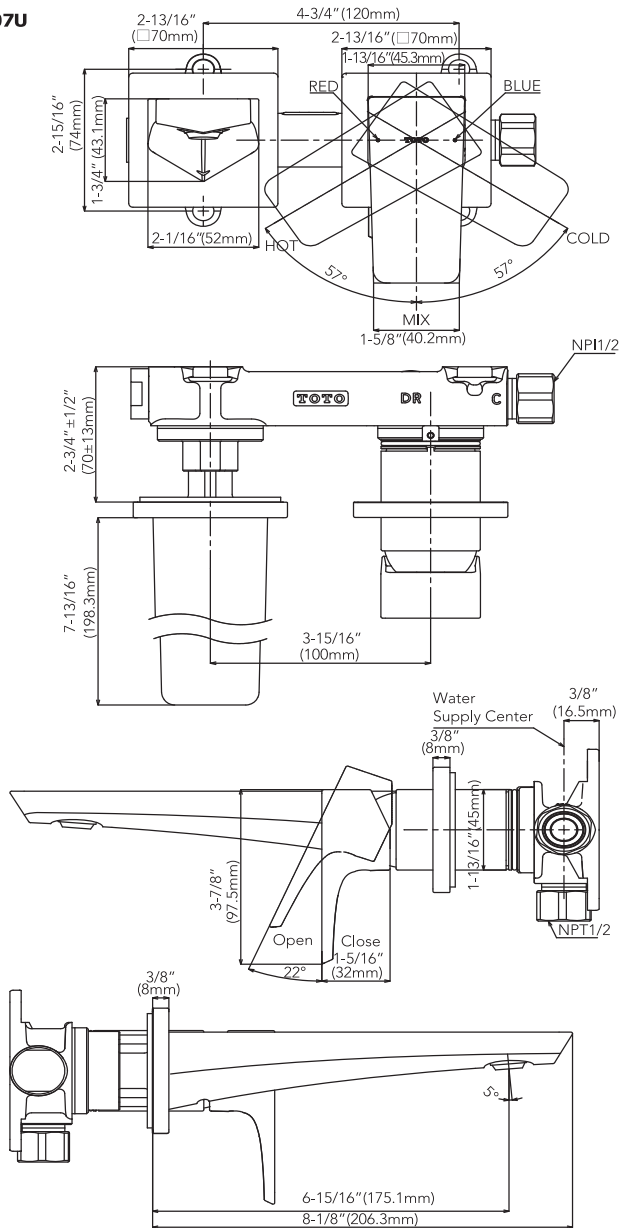
**TLG01311U**



NOTE: Unit for dimensions = inches  
Dimension in ( ) is mm.

# ROUGH-IN DIMENSIONS / BOSQUEJO ROBINETTERIE BRUTE / DIMENSÕES APROXIMADAS

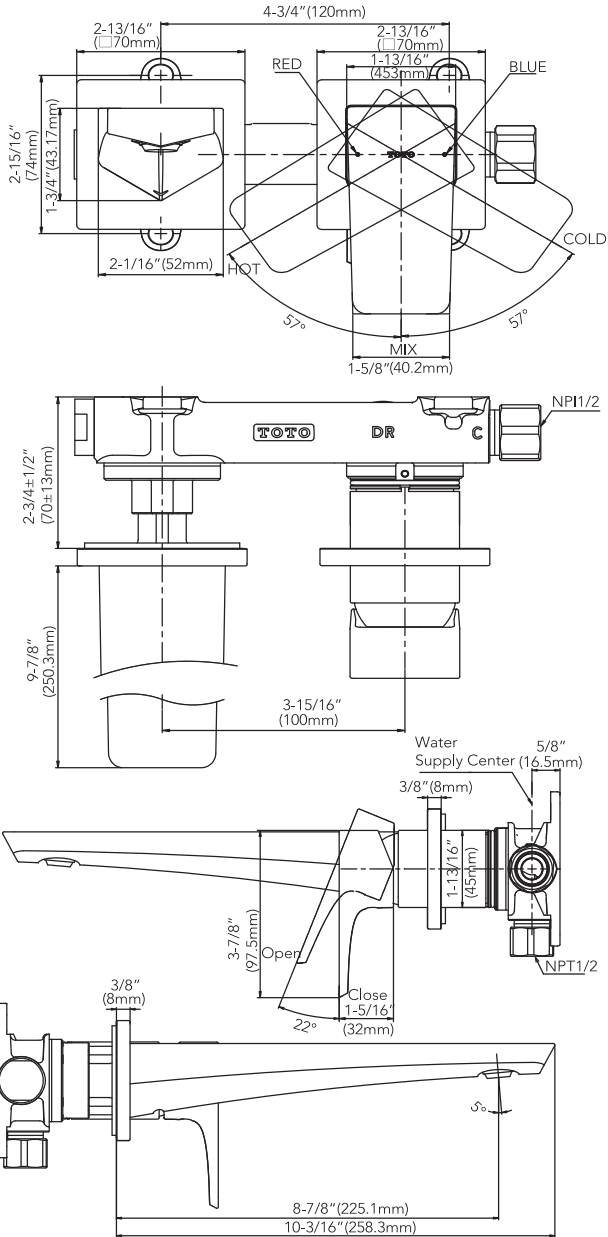
**TLG07307U**



NOTE: Unit for dimensions = inches  
Dimension in ( ) is mm.

# ROUGH-IN DIMENSIONS / BOSQUEJO ROBINETTERIE BRUTE / DIMENSÕES APROXIMADAS

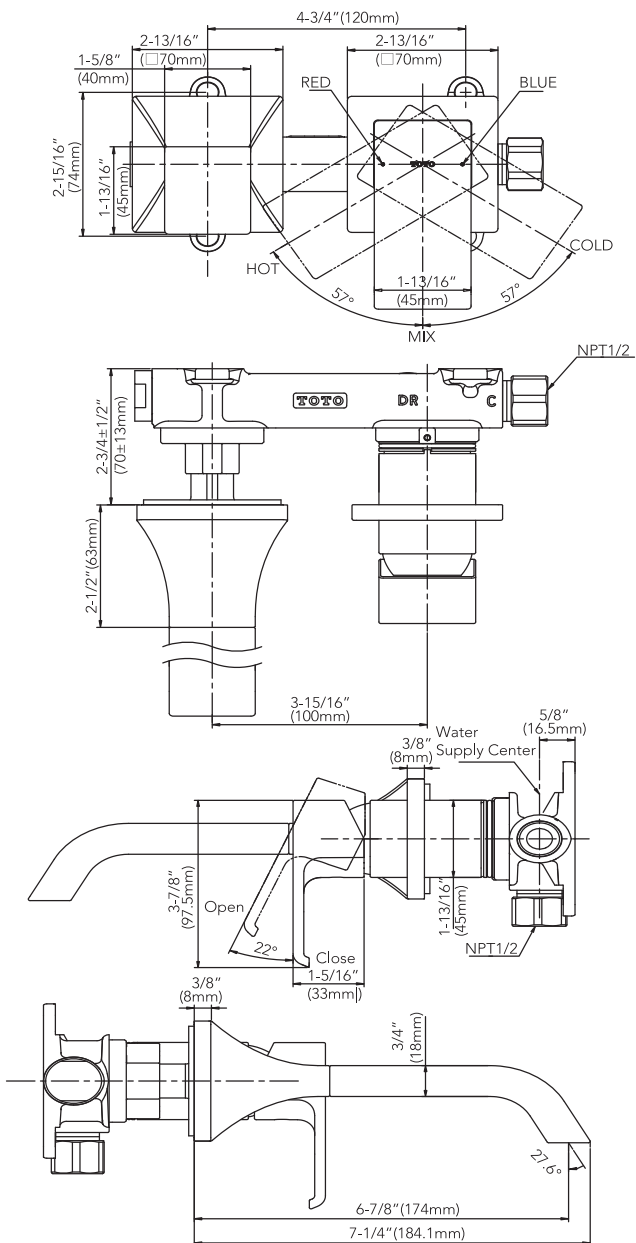
**TLG07308U**



NOTE: Unit for dimensions = inches  
Dimension in ( ) is mm.

# ROUGH-IN DIMENSIONS / BOSQUEJO ROBINETTERIE BRUTE / DIMENSÕES APROXIMADAS

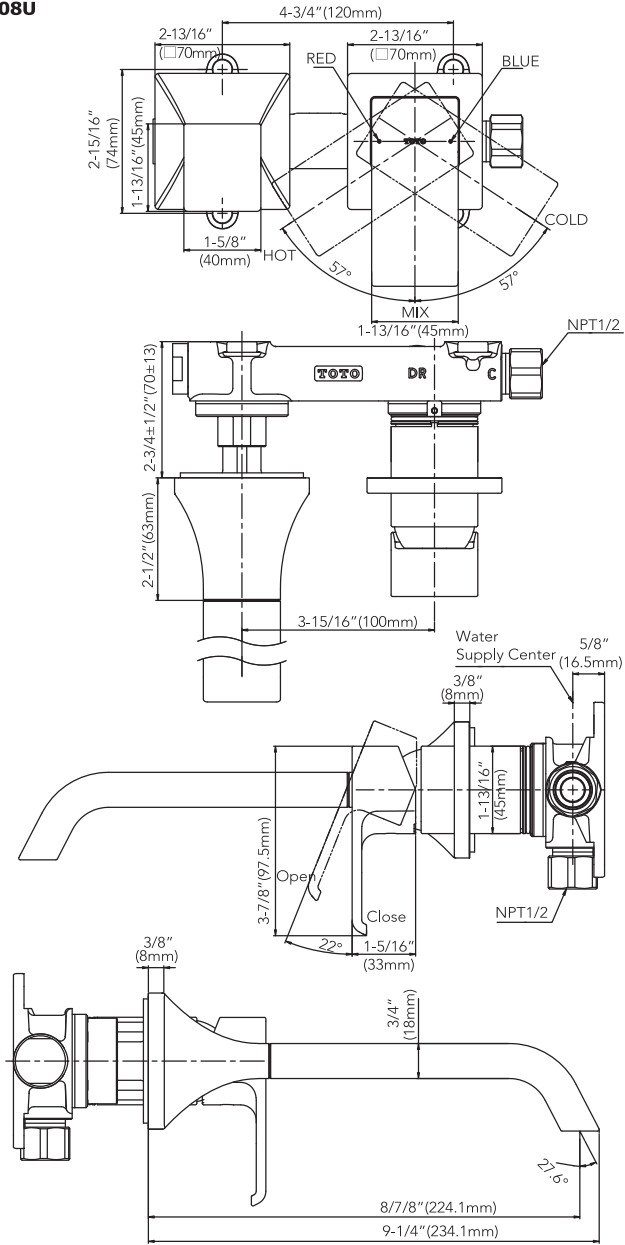
**TLG08307U**



NOTE: Unit for dimensions = inches  
Dimension in ( ) is mm.

# ROUGH-IN DIMENSIONS / BOSQUEJO ROBINETTERIE BRUTE / DIMENSÕES APROXIMADAS

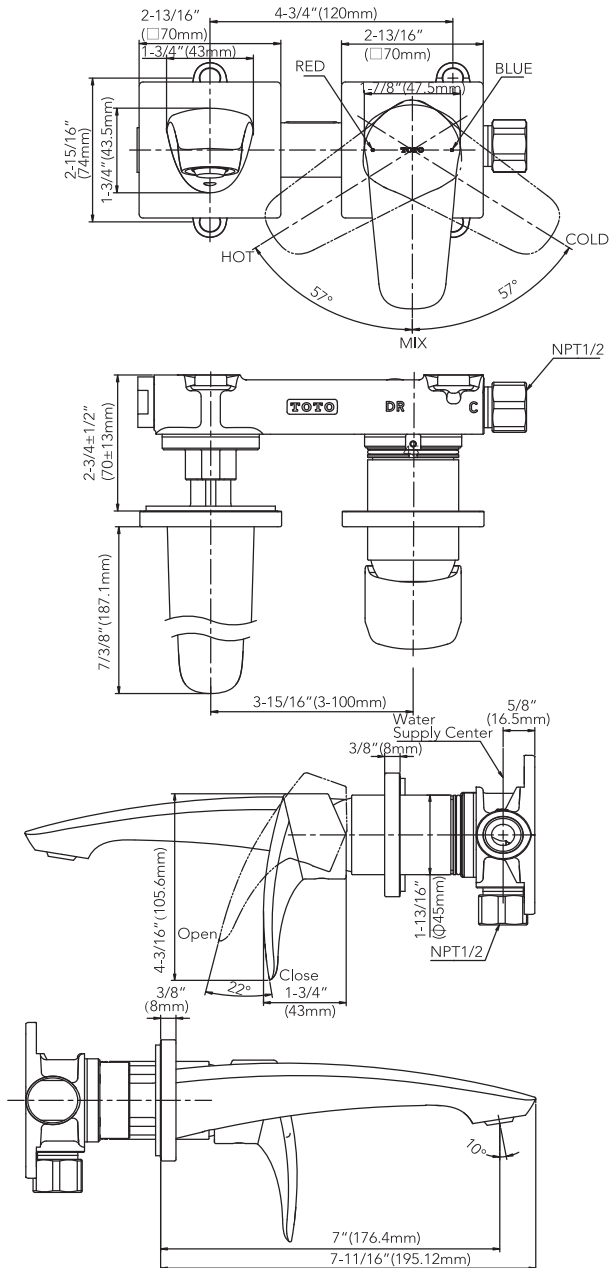
**TLG08308U**



NOTE: Unit for dimensions = inches  
Dimension in ( ) is mm.

# ROUGH-IN DIMENSIONS / BOSQUEJO ROBINETTERIE BRUTE / DIMENSÕES APROXIMADAS

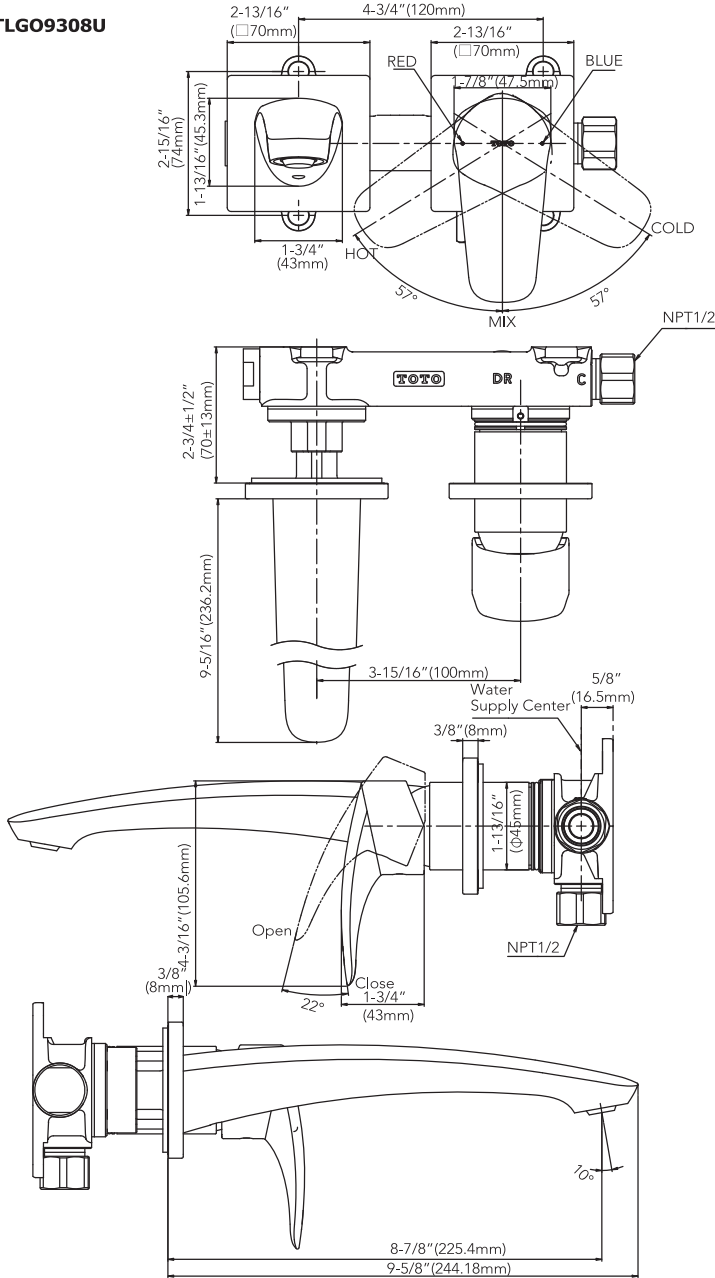
**TLG09307U**



NOTE: Unit for dimensions = inches  
Dimension in ( ) is mm.

# ROUGH-IN DIMENSIONS / BOSQUEJO ROBINETTERIE BRUTE / DIMENSÕES APROXIMADAS

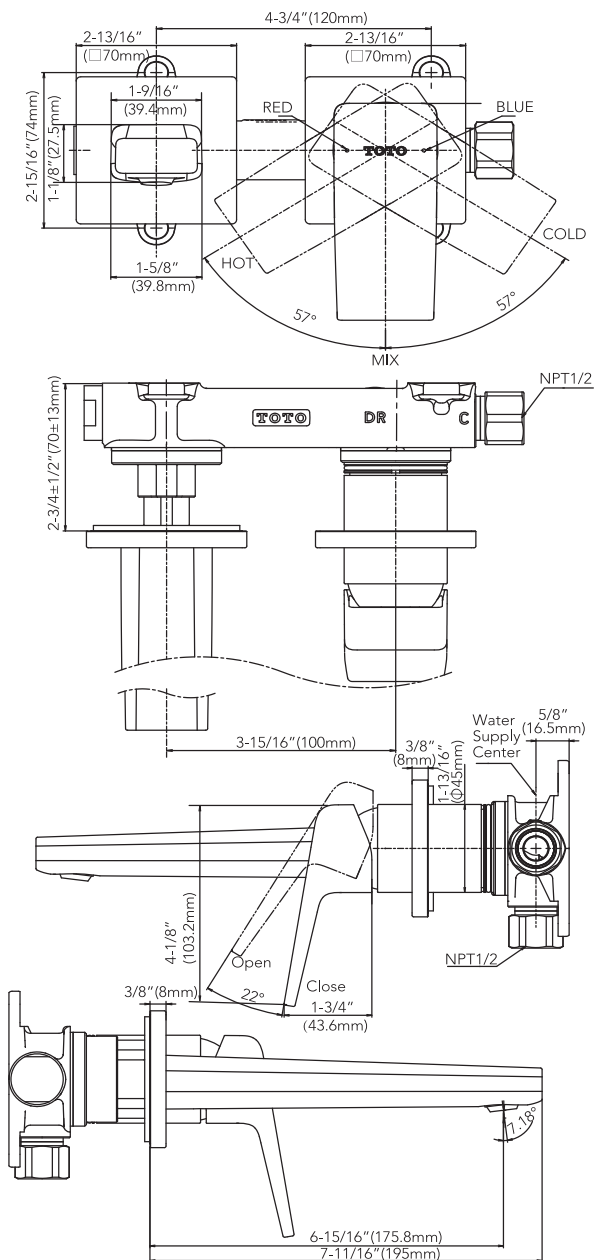
**TLGO9308U**



NOTE: Unit for dimensions = inches  
Dimension in ( ) is mm.

# ROUGH-IN DIMENSIONS / BOSQUEJO ROBINETTERIE BRUTE / DIMENSÕES APROXIMADAS

**TLG010307U**

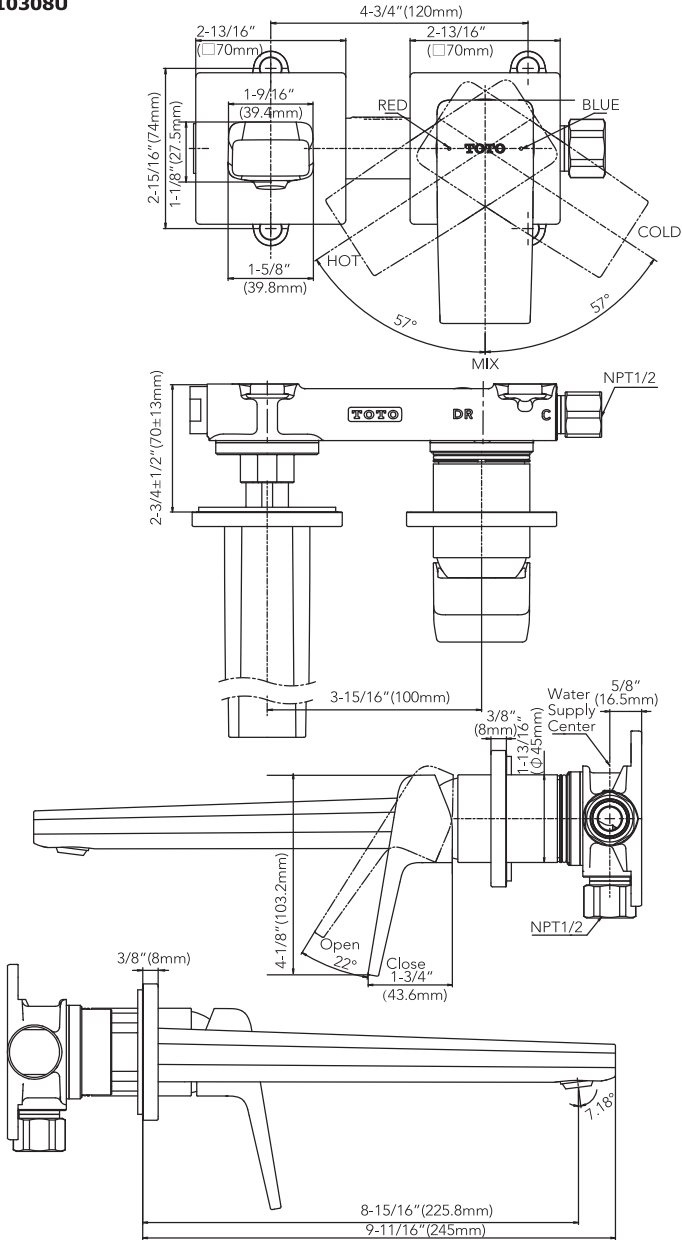


NOTE: Unit for dimensions = inches  
Dimension in ( ) is mm.



# ROUGH-IN DIMENSIONS / BOSQUEJO ROBINETTERIE BRUTE / DIMENSÕES APROXIMADAS

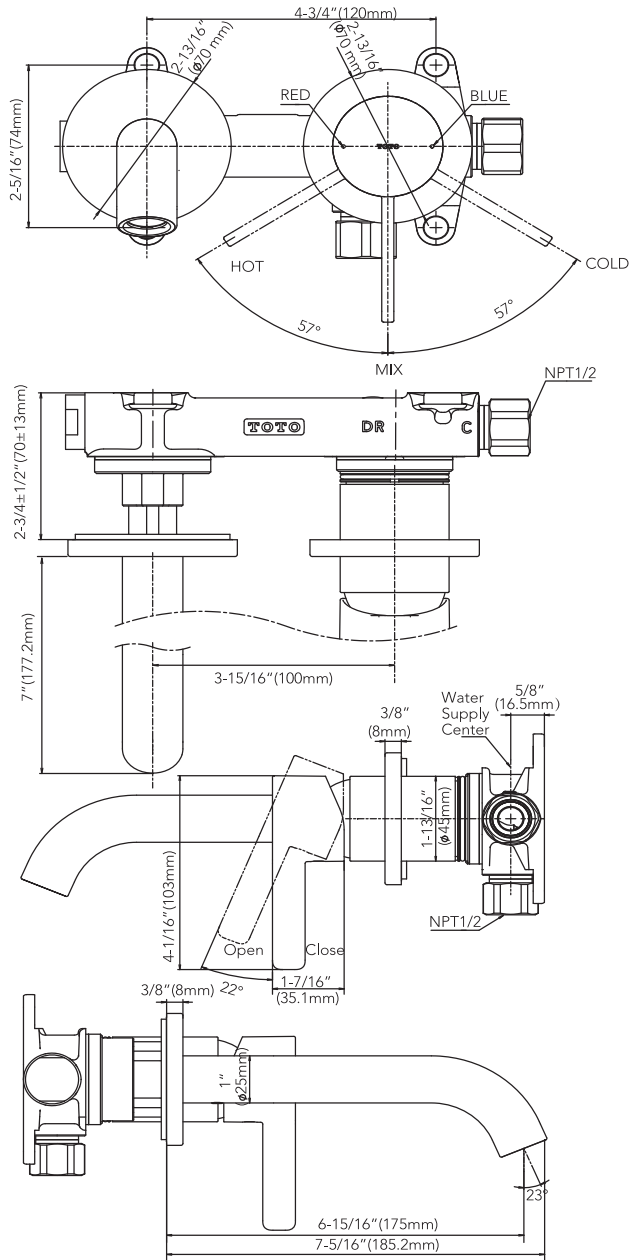
**TLGO10308U**



NOTE: Unit for dimensions = inches  
Dimension in ( ) is mm.

**ROUGH-IN DIMENSIONS / BOSQUEJO  
ROBINETTERIE BRUTE / DIMENSÕES APROXIMADAS**

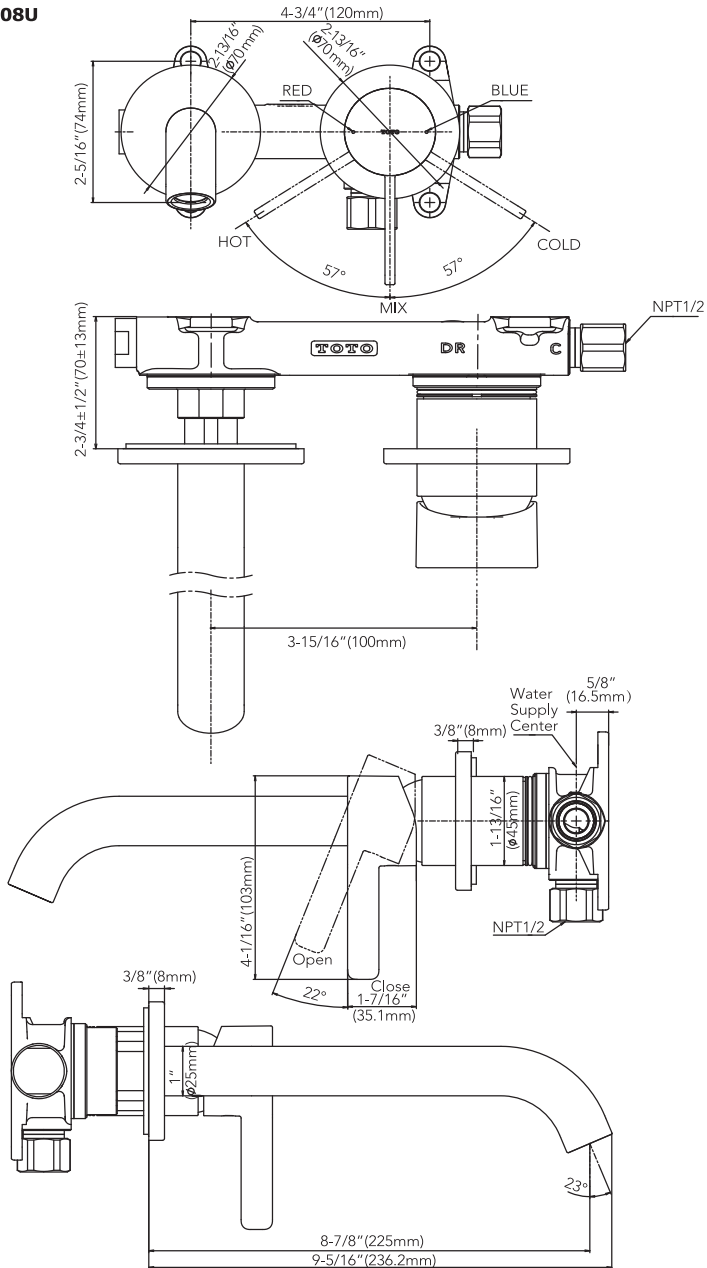
**TLG011307U**



NOTE: Unit for dimensions = inches  
Dimension in ( ) is mm.

# ROUGH-IN DIMENSIONS / BOSQUEJO ROBINETTERIE BRUTE / DIMENSÕES APROXIMADAS

**TLGO11308U**



NOTE: Unit for dimensions = inches  
Dimension in ( ) is mm.

# TOTO

TOTO U.S.A., Inc. 1155 Southern Road,  
Morrow, Georgia 30260  
Tel: 888-295-8134 Fax: 800-699-4889  
[www.totousa.com](http://www.totousa.com)

0GU4274  
Rev C



#### Warranty Registration and Inquiry

For product warranty registration, TOTO U.S.A. Inc. recommends online warranty registration. Please visit our web site <http://www.totousa.com>. If you have questions regarding warranty policy or coverage, please contact TOTO U.S.A. Inc., Customer Service Department, 1155 Southern Road, Morrow, GA 30260 (888) 295-8134 or (678) 466-1300 when calling from outside of U.S.A.